

Hyper-V™ In-Line Cable Ties and Mounts

A Quick, Strong, and Easy Solution for Bundling Wire and Cable!

Hyper-V™ Cable Ties provide excellent tensile strength, flexibility, and bundle tightness. The ties install quickly and easily to improve productivity and reduce potential repetitive motion injuries. The innovative design of both the ties and mounts makes them the ideal solution for demanding industrial construction and MRO installations.



Hyper-V™ Cable Ties

Key Features

Benefits

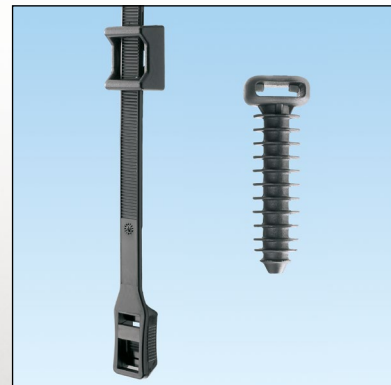
Fixed and flexible 2-wedge locking design	Provides a low threading force for quick and easy installation to improve productivity and worker safety, reducing the potential for repetitive motion injuries
Teeth on both sides of the cable tie body	Provide additional locking strength and improved flexibility to conform to irregular bundle shapes
Releasable head position for temporary bundling	Allows temporary bundling of cables prior to final locking, eliminating the need to replace ties when adding cables/wires to the bundle
Teeth on full length of body	Support a wider range of bundle diameters, reducing the number of inventoried parts
Bending serrations on the tip of the tie	Allows the tip to be easily formed into an arc, enabling an installer to “fish” the tie around the bundle in a confined space
Threading hole in the tip of the tie	Allows an installer to hook the tip with a simple device to pull the tie through spaces with limited access
In-line tie design	Provides parallel-entry of tie into head, resulting in a lower profile on cable bundles
Rounded edges	Provide a smooth surface on head and body, minimizing the risk of damage to cable, adjacent bundles, or installers’ hands



Design provides for an optional threading position that allows releasable, temporary bundling



Tip bending serrations and threading hole facilitate installations in confined spaces



Retaining tab, within window of mounts, holds cable tie in position

Hyper-V™ Cable Ties and Mounts

Hyper-V™ Cable Tie Mounts

Key Features

Benefits

Retaining tab within window	Holds tie in position when pre-installed in mount; tie will not slip out of mount when held in a vertical position, providing easier installation and increased productivity
Low profile design	Positions the bundle closer to mounting surface, conserving space and reducing standoff height of cable bundle
Rounded edges	Provide smooth surfaces on the mount, minimizing the risk of damage to cable, adjacent bundles, or installers' hands
Barbs on masonry push mount	Increases pullout force to support heavier bundles in demanding applications; barbs extend to masonry surface for improved strength

Ordering Information

Hyper-V™ Cable Ties



Part Number	Length In. (mm)	Width In. (mm)	Thickness In. (mm)	Head Height In. (mm)	Head Width In. (mm)	Max. Bundle Diameter In. (mm)	Min. Loop Tensile Strength Lbs. (N)	Std. Pkg. Qty.	Std. Ctn. Qty.
HV965-C0	10.4 (265)	0.350 (8.9)	0.076 (1.9)	0.318 (8.0)	0.571 (14.5)	2.60 (65)	160 (710)	100	1000
HV9100-C0	14.4 (367)					3.90 (100)		100	1000
HV9150-C0	20.7 (525)					5.90 (150)		100	1000
HV9250-C0	33.1 (841)					9.80 (250)		100	1000

Manufactured in Weather Resistant Nylon 6.6 material.

Hyper-V™ Cable Tie Mounts



Part Number	Description	Mounting Method	Mount Dimensions In. (mm)	Hole Diameter In. (mm)	Std. Pkg. Qty.	Std. Ctn. Qty.
HVMPM-08-C0	Masonry Push Mount	Tree Barb	Grip Length	0.31 (8.0)	100	500
			1.38 (35.1)			
HVTM-06-C0	Tie Mount	M6 Screw or Tapered Rivet	Length	0.23 (5.9)	100	500
			0.81 (20.6)			
			Width			

Manufactured in Weather Resistant Nylon 6.6 material.

Cable Tie Installation Tools



Part Number	Description	Std. Pkg. Qty.
STHV	Durable all-steel construction installation tool.	1
GTH-E	Ergonomic installation tool with tension control.	1

Order number of pieces required, in multiples of Standard Package Quantity.

For samples of Hyper-V™ Cable Ties and Mounts, contact Panduit Customer Service at 800-777-3300.

WORLDWIDE SUBSIDIARIES AND SALES OFFICES

PANDUIT CANADA
Markham, Ontario
cs-cdn@panduit.com
Phone: 800.777.3300

PANDUIT EUROPE LTD.
London, UK
cs-emea@panduit.com
Phone: 44.20.8601.7200

PANDUIT SINGAPORE PTE. LTD.
Republic of Singapore
cs-ap@panduit.com
Phone: 65.6305.7575

PANDUIT JAPAN
Tokyo, Japan
cs-japan@panduit.com
Phone: 81.3.6863.6000

PANDUIT LATIN AMERICA
Guadalajara, Mexico
cs-la@panduit.com
Phone: 52.33.3777.6000

PANDUIT AUSTRALIA PTY. LTD.
Victoria, Australia
cs-aus@panduit.com
Phone: 61.3.9794.9020

For a copy of Panduit product warranties, log on to www.panduit.com/warranty

For more information

Visit us at www.panduit.com

Contact Customer Service by email: cs@panduit.com
or by phone: 800.777.3300

©2016 Panduit Corp.
ALL RIGHTS RESERVED.
CTCB59--WW-ENG
replaces WW-CTCB20
3/2016

Mouser Electronics

Authorized Distributor

Click to View Pricing, Inventory, Delivery & Lifecycle Information:

[Panduit:](#)

[HV9100-C0](#) [HV9150-C0](#) [HV965-C0](#)