

REVISION RECORD				
REV	ECN	DESCRIPTION	DRFT	DATE

Technical characteristics:

Specifications
 DIN EN 60 664-1
 DIN EN 61 984

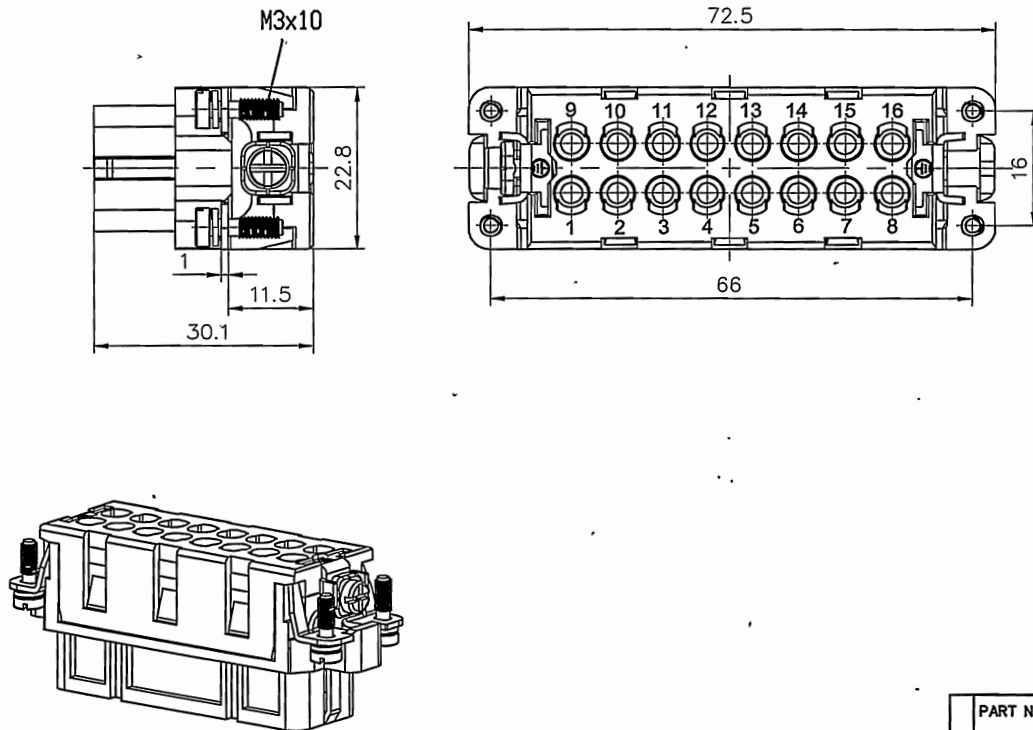
Inserts

01. Number of contacts :16+PE
02. Rated Current :16A
03. Rated Voltage :250V
04. Pollution degree :3
05. Rated impulse voltage :4kv
06. Insulation resistance : $\geq 10^{10} \Omega$
07. Material:Polycarbonate
08. Colour:RAL 7032 (Light grey)
09. Rated voltage acc. to UL/CSA:600V
10. Limiting temperatures : $-40^{\circ}\text{C} \sim +125^{\circ}\text{C}$
11. Flammability acc. to UL94:V0
12. Mechanical working life (mating cycles) : ≥ 500

Contacts

01. Material:Copper alloy
02. Surface:hard-silver plated
03. Contact resistance : $\leq 1\text{m}\Omega$
04. Terminal :Crimp terminal
05. Wire gauge :0.14-4.0mm² (AWG 26-12)
06. Stripping length :7.5mm
07. Rohs Compliance

Note:Crimp contact pins should order separately



DETACHED LISTS	PART NO.: /		宁波高松电子有限公司 NINGBO DEGSON ELECTRICAL CO., LTD		
	APPD: HJS 2016.8.26	NAME: DA-016-FC			
	CHKD: Jm 2016.8.25	TITLE: CUSTOMER DRAWING			
	DRFT: yang 2016.07.25	REV	DO-1		
THIRD ANGLE PROJECTION		DRAWING NO.: DA-016-FC-E01	SHEET	1/1	
		MM (INCH)	DO NOT SCALE DRAWING	SCALE	1:1