

REVISION RECORD

REV	ECN	DESCRIPTION	DRFT	DATE

Technical characteristics:

Specifications
 DIN EN 60 664-1
 DIN EN 61 984

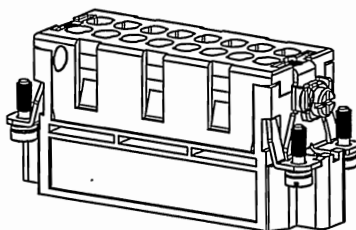
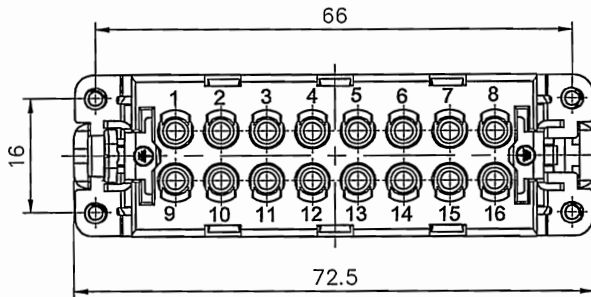
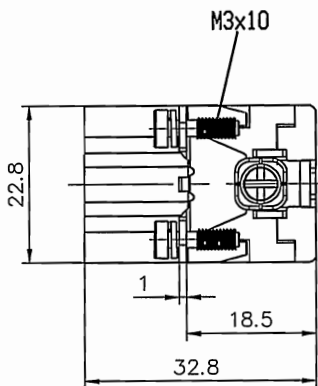
Inserts

- 01. Number of contacts :16+PE
- 02. Rated Current :16A
- 03. Rated Voltage :250V
- 04. Pollution degree :3
- 05. Rated impulse voltage :4kv
- 06. Insulation resistance : $\geq 10^{10} \Omega$
- 07. Material:Polycarbonate
- 08. Colour:RAL 7032(Light grey)
- 09. Rated voltage acc. to UL/CSA:600V
- 10. Limiting temperatures : $-40^{\circ}\text{C} \sim +125^{\circ}\text{C}$
- 11. Flammability acc. to UL94:V0
- 12. Mechanical working life (mating cycles) : ≥ 500

Contacts

- 01. Material:Copper alloy
- 02. Surface:hard-silver plated
- 03. Contact resistance : $\leq 1\text{m}\Omega$
- 04. Terminal :Crimp terminal
- 05. Wire gauge :0.14-4.0mm² (AWG 26-12)
- 06. Stripping length :7.5mm
- 07. Rohs Compliance

Note:Crimp contact pins should order separately



DETACHED LISTS	PART NO.: /	宁波高松电子有限公司 NINGBO DEGSON ELECTRICAL CO., LTD		
	APPD: HYS 2016.8.26	NAME: DA-016-MC		
	CHKD: LSM 2016.8.25	TITLE: CUSTOMER DRAWING		
	DRFT: yang 2016.07.25	REV	DO-1	
 THIRD ANGLE PROJECTION		DRAWING NO.: DA-016-MC-E01	SHEET	1/1
		DO NOT SCALE DRAWING	SCALE	1:1