



INFRESCO VR-PIR-12V SENSOR

X10728

INTRODUCTION

This 12V single head Passive Infra-Red (PIR) external sensor has been selected to work with the Infresco VR- range. The PIR will monitor the selected area ensuring the heaters only switch on when it is occupied.



MOTION DETECTOR 12 VOLT LBB 180°



5 - 1000 Lux



5 seconds to 15
minutes



approx. 12 metres



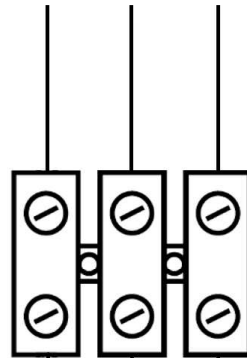
Sensor

- Motion detector 12V LBB 926, white
- Field of detection 180°
- For wall mounting
- 12 volt technology, ideal for camping, boats and solar technology
- With floating switch contact
- Housing made of UV-resistant plastic
- Optimum detection of the required area thanks to rotatable and swivelling sensor head
- Twilight switch and switching time are continuously variable

INSTALLATION



WHITE RED BLACK

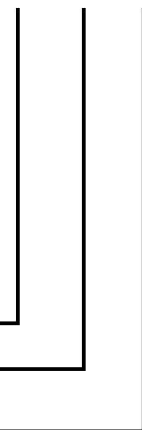


INFRESCO

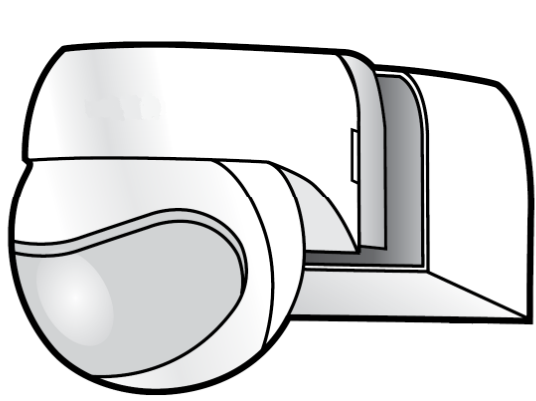


12VDC OUT SIG IN COM

PIR SENSOR



MOUNTING



SPECIFICATIONS

Sensing range	180°
Time setting	approx. 5 seconds to 15 min, infinitely variable
Range	approx. 3-12m, infinitely variable
Twilight switches	approx. 5 - 1000 lux, infinitely variable
Operating voltage	12 V AC/DC
Approx. power consumption	0.5 W
Switching capacity	floating relay 5A, 12V to 24V DC
Protection type	IP 44
Installation type	wall mounting
Measurements	W 60 x H 85 x D 85 mm
EAN code	4011315016927

TROUBLESHOOTING

Problem	Cause	Remedy
Motion detector switches the light on too late	<ul style="list-style-type: none">• Field of detection setting• Movement from the front	<ul style="list-style-type: none">• Adjust field of detection by turning the sensor
Motion detector fails to achieve maximum range	<ul style="list-style-type: none">• Motion detector is mounted too low• Difference in temperature between heat source and surroundings is not big enough	<ul style="list-style-type: none">• Mount Higher
Motion detector switches light on constantly or when not necessary	<ul style="list-style-type: none">• Constant warm movement: The field of detection encompasses areas that do not require monitoring, such as pathways, roads, trees and reflective water. Unexpected change in heat sources due to a storm, rain or fans. Influence of direct/indirect sunlight	<ul style="list-style-type: none">• Re-align detector and, if necessary change its location

CE MARKING

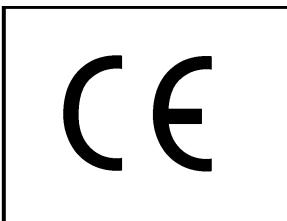
This family carries a "CE" marking. For more information see recommendations section and contact our sales desk. (See Declaration of Conformity)

ORDERING & INFORMATION

Stock code ref. : A26051

For additional installation information on the INFRESCO-VR range see the appropriate manual:-

INFRESCO-V(R/M)-2kW - X20018
INFRESCO-V(R/M)-4kW - X20033
INFRESCO-V(R/M)-6kW - X20029



UNITED AUTOMATION LIMITED

Southport Business Park
Wight Moss Way
Southport, PR8 4HQ
ENGLAND

Tel: 0044 (0) 1704 – 516500
Fax: 0044 (0) 1704 – 516501
enquiries@united-automation.com
www.united-automation.com

