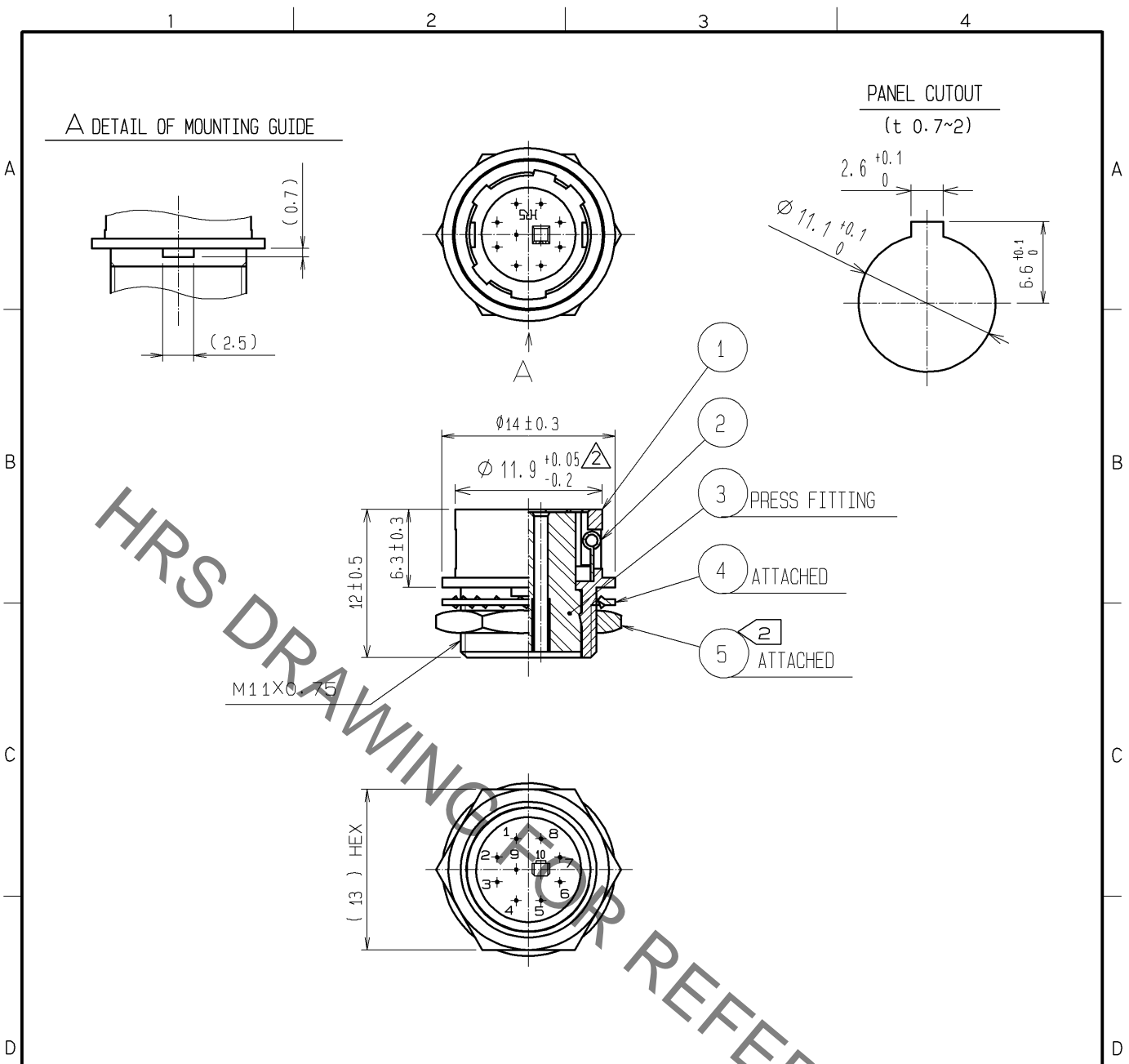


Jul.1.2020 Copyright 2020 HIROSE ELECTRIC CO., LTD. All Rights Reserved.  
 In case of consideration for using Automotive equipment / device which demand high reliability, kindly contact our sales window correspondents.



NOTES 1 APPLICABLE CRIMP CONTACT:HR12-SC-212(CL112-0408-9)  
 APPLICABLE WIRE:AWG#26 TO #30(COVERED WIRE MAX. OUTSIDE DIA.Ø1)  
 APPLICABLE CONTACT REMOVAL TOOL(EXTRACTION TOOL):HR12-SC-TP(CL150-0050-3)  
 2 THE RECOMMENDED CLAMP TORQUE OF REF. NO. ⑤ TO BE 2 N·m.  
 LOCTITE 243, HENKEL JAPAN OR EQUIVALENT IS RECOMMENDED TO PREVENT REF. NO. ⑤ FROM LOOSENING.

NO.	MATERIAL	FINISH, REMARKS	NO.	MATERIAL	FINISH, REMARKS
3	POLYBUTYLENE TEREPHTHALATE	(BLACK) UL94V-0	5	BRASS ④	NICKEL PLATING
2	STAINLESS STEEL		4	PHOSPHOR BRONZE	NICKEL PLATING
1	ZINC ALLOY	MATTE FINISH NICKEL PLATED			

UNITS	SCALE	COUNT	DESCRIPTION OF REVISIONS	DESIGNED	CHECKED	DATE
mm	2 : 1	2	DIS-C-003736	HR. SATO	HY. KISHI	14.11.25

<b>HRS</b> HIROSE ELECTRIC CO., LTD.	APPROVED :MO. SATOH	07.03.13	DRAWING NO.	EDC4-022885-71
	CHECKED :EJ. KUNII	07.03.12	PART NO.	HR10A-10R-10SC(71)
	DESIGNED :TO. HORII	07.03.09	CODE NO.	CL110-0606-0-71
	DRAWN :MK. SATO	07.03.09		

# Mouser Electronics

Authorized Distributor

Click to View Pricing, Inventory, Delivery & Lifecycle Information:

[Hirose Electric:](#)

[HR10A-10R-10SC\(71\)](#)