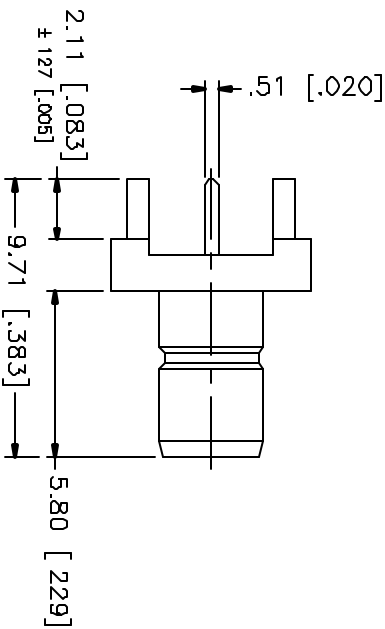
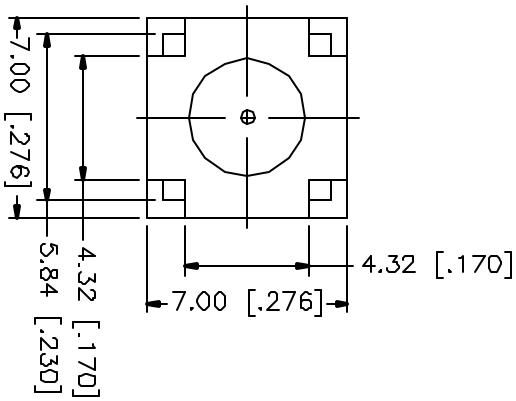
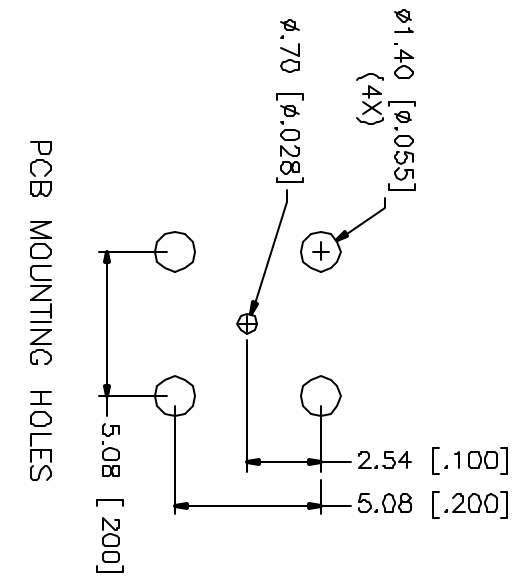
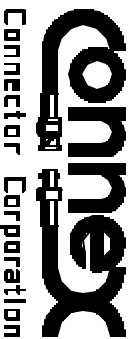


REV.	DATE	DESCRIPTION
NC	11/13/01	INITIAL RELEASE



8																			
7																			
6																			
5																			
4																			
3	CONTACT PIN	BRASS	GOLD																
2	INSULATOR	TEFLON	NATURAL																
1	BODY	BRASS	GOLD																
	DESCRIPTION	MATERIAL	FINISH																
				UNLESS OTHERWISE SPECIFIED DIMENSIONS ARE IN MILLIMETERS				APPROVALS				DATE				TITLE			
				DIMENSIONS IN [ ] ARE IN INCHES FOR CUSTOMER REFERENCE ONLY				DRAWN G.R.S.				11/13/01				SMB P.C. MOUNTING JACK - MINI 75ohm (.083" LEGS)			
				UNLESS OTHERWISE SPECIFIED TOLERANCES FOR INCHES ARE: .XXX = ± 0.005" .XX = ± 0.010" .X = ± 0.020"				CHECKED				ISSUED				SIZE A			
				DO NOT SCALE DRAWING												FSOM NO. 99001			
																DWC NO. 142138-75-10			
																PART NO. 142138-75-10			
																SHEET 1 OF 1			
																REV. NC			



Connector Corporation  
SMB P.C. MOUNTING JACK - MINI 75ohm  
(.083" LEGS)