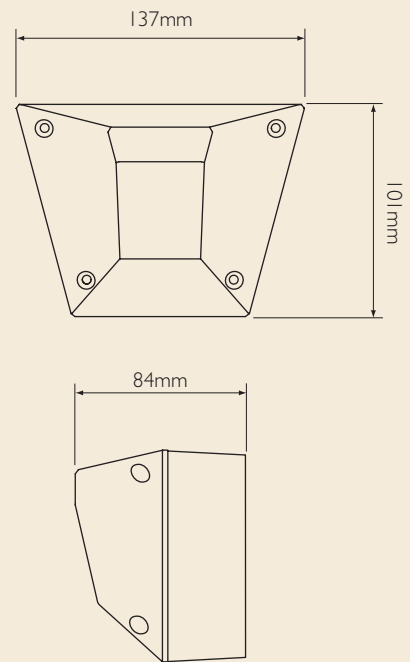


## ASSERTA BEACON HIGH OUTPUT



The distinctive shape of this industrial beacon allows robust construction to be combined with highly efficient control of the light output to give a performance normally associated with much more powerful units. Versatility is ensured with a number of voltage and supply options.

- 24Vdc OR 230Vac VERSIONS
- 3.6 JOULE OUTPUT
- ASYMMETRIC DISPERSION FOR GREATER EFFICIENCY
- IP66 PROTECTION
- SIMPLE FIRST & SECOND FIX INSTALLATION

### Specification

Range	18 - 30Vac or 230Vac
Current	200mA @ 24Vdc (typ) or 13mA @ 230Vac
Flash Rate	0.75 / 1 / 1.25 / 2Hz @ 24Vdc 1 Hz @ 230Vac
Flash Power	3.6j / 2.0j
Temperature	- 25°C to + 70°C
Construction Base	PC / ABS
Construction Lens	Polycarbonate
IP Rating	IP66
Weight	0.3Kg
Body Colour	Red or Grey
Lens Colours	Red, Amber or Clear