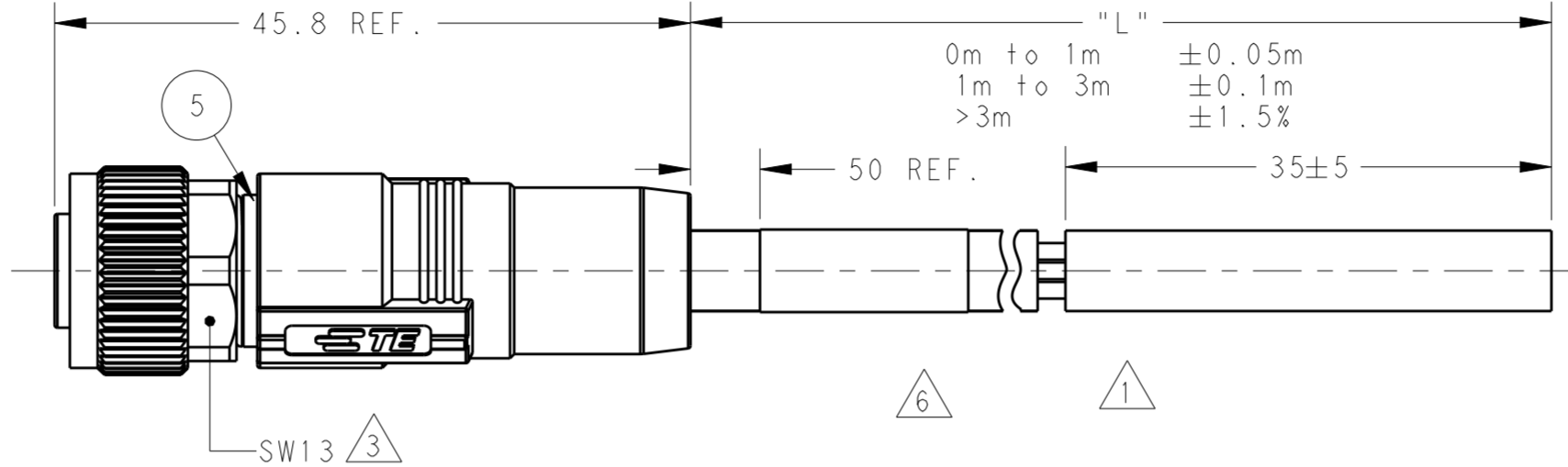
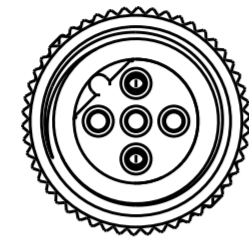


THIS DRAWING IS UNPUBLISHED. RELEASED FOR PUBLICATION 20
 © COPYRIGHT 20 BY - ALL RIGHTS RESERVED.

ITEM	DESCRIPTION	MATERIAL	OTHERS
1	FEMALE CONTACT	COPPER ALLOY	GOLD PLATED
2	HOUSING	NYLON	BLACK
3	COUPLING NUT	COPPER ALLOY	NICKEL PLATED
4	OVER-MOLDING	TPU	BLACK
5	SHIELDED SHELL	COPPER ALLOY	NICKEL PLATED
6	O-RING	SILICONE	GRAY
7	CABLE	PUR JACKET	VIOLET
8	LABEL	-	-

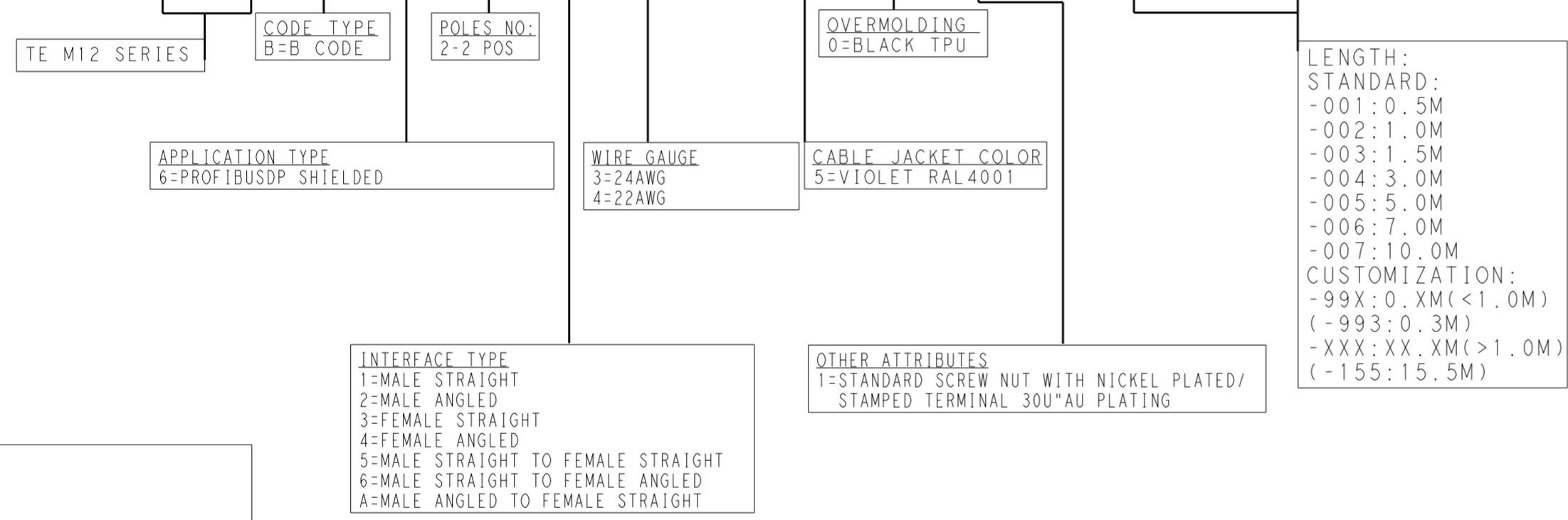
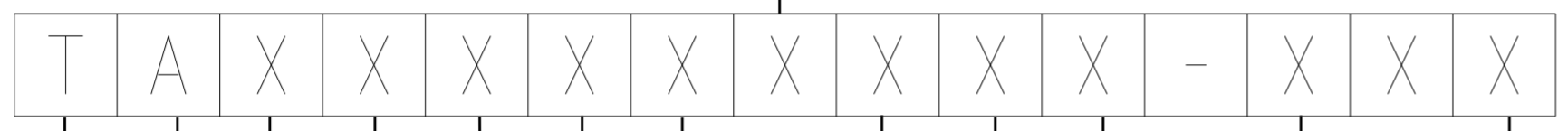
REVISIONS				
P	LTR	DESCRIPTION	DATE	APVD
	A	INITIAL RELEASE	01AUG2019	A.Z C.W



NOTE:
 1. STRIP AND RETAIN THE INSULATION
 2. CODE POSITION INDICATOR
 3. RECOMMENDED TORQUE 0.6 Nm
 4. -** : CABLE LENGTH, FOR EXAMPLE: -0.5M
 5. CABLE ASSEMBLY TO BE PACKAGED IN POLYBAGS
 6. LABEL CONTAINS: PN, DATE CODE...

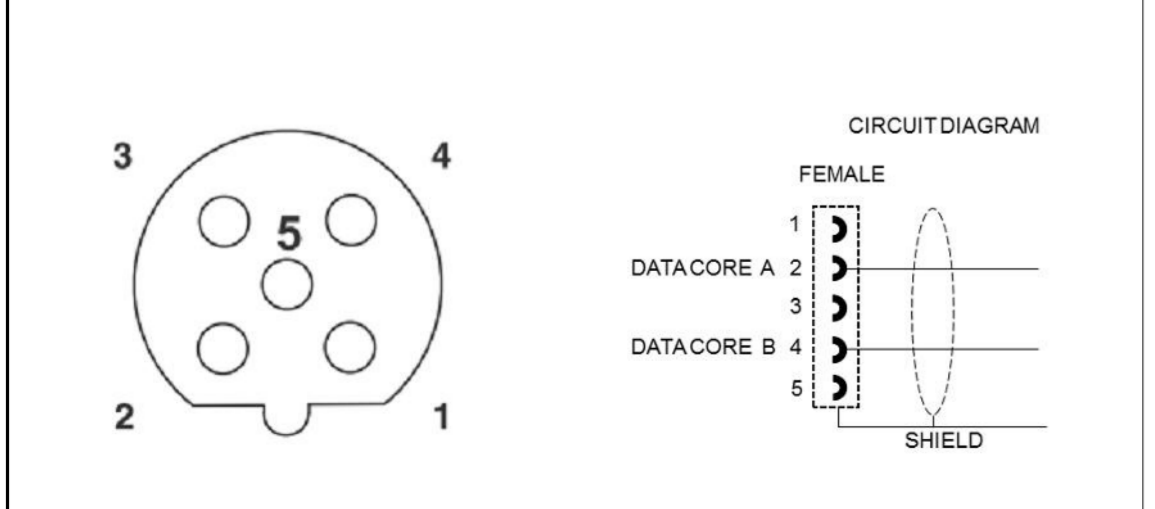
注释:
 1. 剥线并保留护套绝缘层
 2. CODE位置指示
 3. 推荐扭矩0.6 Nm
 4. -** : 线缆长度, 例如: -0.5M
 5. 线缆组件塑料袋包装
 6. 标签包含: 产品编号, 日期代码...

TE PN CODING:

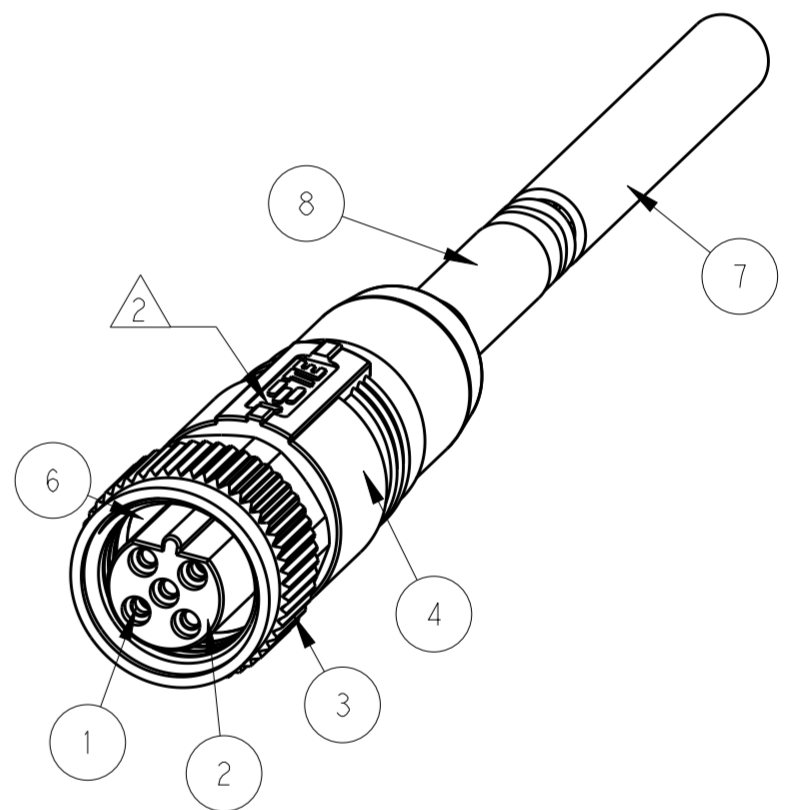


TECHNICAL DATA

RATED VOLTAGE	250V
RATED IMPULSE VOLTAGE	2500V
RATED CURRENT	4A
POLLUTION DEGREE	3
OVERVOLTAGE CATEGORY	II
MATERIAL GROUP	II
DEGREE OF PROTECTION	IP67



WIRES	STANDARD	JACKET COLOR	JACKET MATERIAL	TYPE	POS.	TE PN
WIRES:22AWG WIRE COLOR: RED AND GREEN OD: APPROX.8.0MM TEMPERATURE RATING:80°C UL OPERATION TEMP RATING:-25°C To +75°C APPLICATIONS:FLEXIBLE,SUITABLE FOR ±180° TORSION APPLICATION	-001:0.5M -002:1.0M -003:1.5M -004:3.0M -005:5.0M -006:7.0M -007:10.0M CUSTOMIZATION: -99X:0.XM(<1.0M) (-993:0.3M) -XXX:XX.XM(>1.0M) (-155:15.5M)	VIOLET	PUR	M12B2-FS-PUR TORSION-** ⁴	2	TAB62346501-XXX
WIRES:24AWG WIRE COLOR: RED AND GREEN OD: APPROX.7.8MM TEMPERATURE RATING:80°C UL OPERATION TEMP RATING:-40°C To +80°C APPLICATIONS:FLEXIBLE, SUITABLE FOR DRAG CHAIN	-99X:0.XM(<1.0M) (-993:0.3M) -XXX:XX.XM(>1.0M) (-155:15.5M)	VIOLET	PUR	M12B2-FS-PUR-** ⁴	2	TAB62335501-XXX



THIS DRAWING IS A CONTROLLED DOCUMENT.

DIMENSIONS: mm	TOLERANCES UNLESS OTHERWISE SPECIFIED:	DWN: ALEX ZHANG 11APR2019	CHK: HART HE 11APR2019	APVD: CHRIS WANG 11APR2019	NAME: M12 B CODE CABLE ASSY, SHIELDED 2P, FS FREE END
MATERIAL: -	FINISH: -	PRODUCT SPEC: 108-106140	APPLICATION SPEC: -	WEIGHT: -	SIZE: A2
CUSTOMER DRAWING			SCALE: 2:1	SHEET: 1 OF 1	REV: A