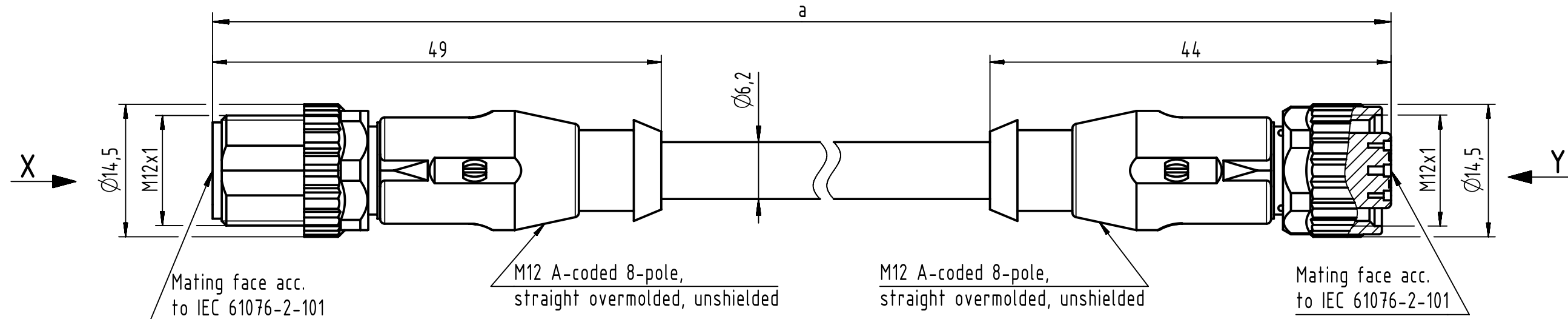
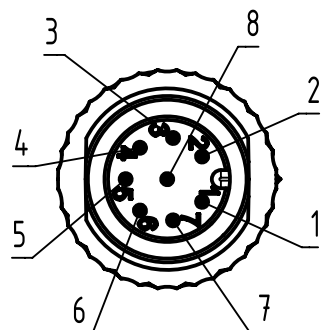


Connector Location A

Connector Location B



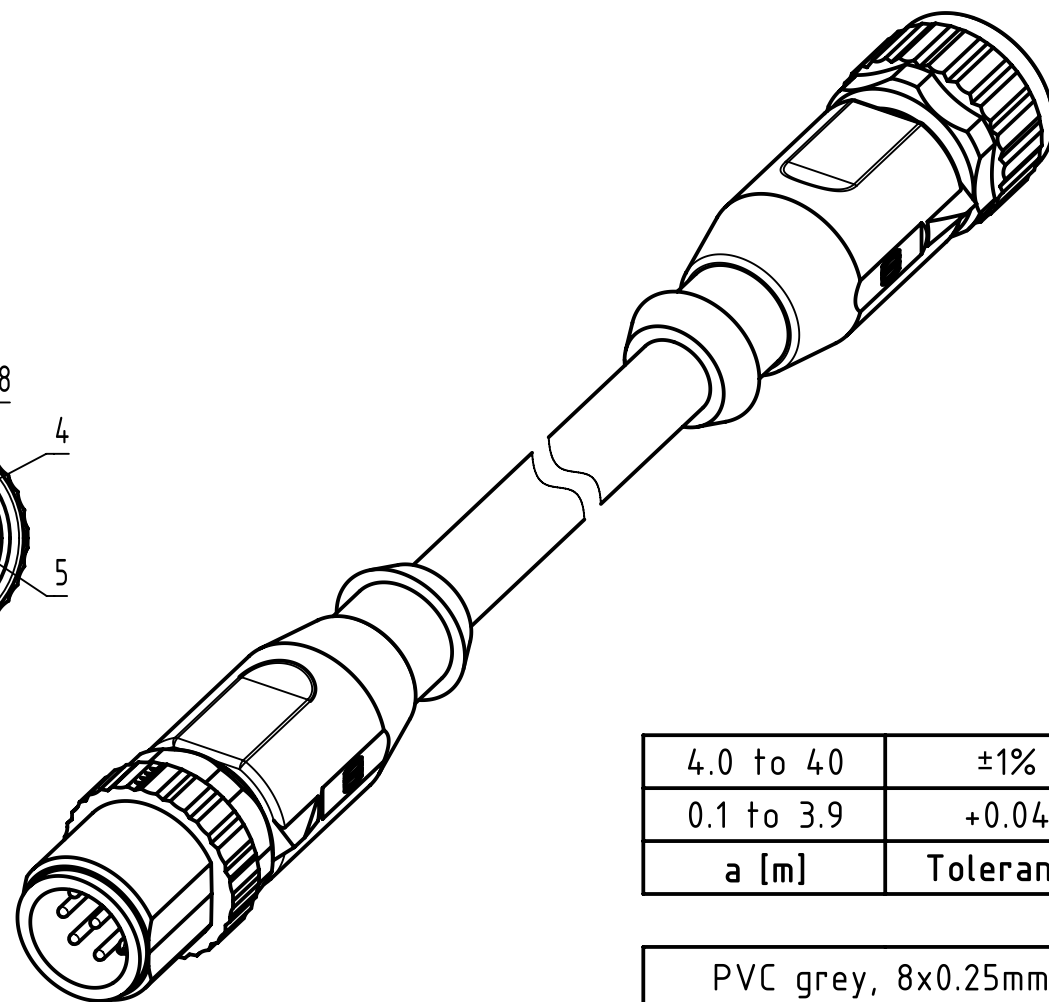
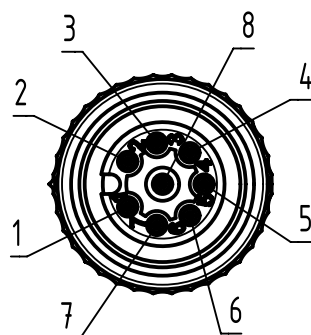
X
male



Loading-Plan

- | | | |
|---|--------|---|
| 1 | white | 1 |
| 2 | brown | 2 |
| 3 | green | 3 |
| 4 | yellow | 4 |
| 5 | grey | 5 |
| 6 | pink | 6 |
| 7 | blue | 7 |
| 8 | red | 8 |

Y
female



| | | |
|-----------------------|-------|---------|
| length in "1m" step | 40 | XXX=400 |
| | 39 | XXX=390 |
| | . | . |
| length in "0.1m" step | 12 | XXX=120 |
| | 11 | XXX=110 |
| | 10 | XXX=100 |
| | 9.9 | XXX=099 |
| | 9.8 | XXX=098 |
| | . | . |
| | . | . |
| Step | a [m] | XXX |

| | |
|------------|-----------|
| 4.0 to 40 | ±1% |
| 0.1 to 3.9 | +0.04 |
| a [m] | Tolerance |

| | |
|---------------------------------|----------------|
| PVC grey, 8x0.25mm ² | 21348485882XXX |
| Type of cable | Part no. |

- Protection level: IP67
- Temperature range: -25°C ... +80°C

| | | | | | | | |
|---------------------------------------------------|---------------------|---------------------------------------------|----------------------------------|----------------------------------------|--------------------|----------------------------------------------------------|-------------|
| | All rights reserved | Created by STOCHECIC Stocheci | Inspected by COSTEA Costea | Standardisation MUNTEANV Muntean | Date 2018-12-14 | State Final Release | |
| | Department HCS - RO | Title M12 Cable Assembly A-cod st/st m/f | | | | Doc-Key / ECM-Nr. 100578827/UGD/009/F 500000144869 | |
| HARTING Customised Solutions D-32339 Espelkamp | | Type TB | Number 21348485882XXX | | | Rev. F | Page 1/1 |