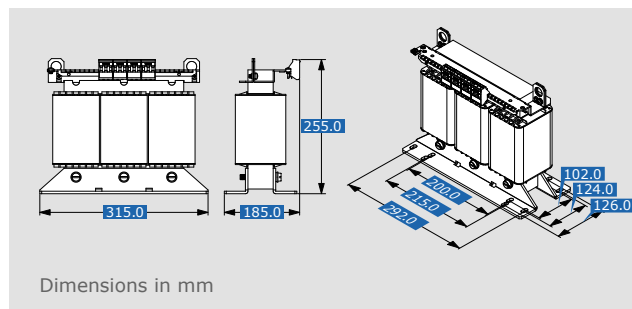


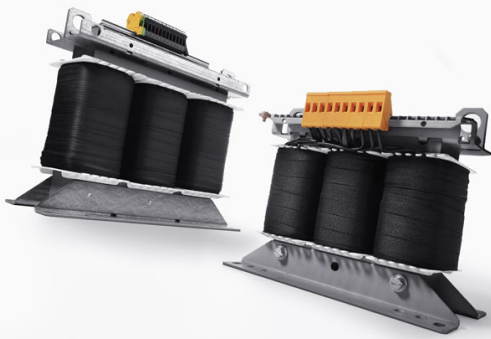
AT3 25-44/46-4

Autotransformer

- Common input and output windings. The output has no separation to the line voltage
- Insulation class F
- Reverse operation possible

Auto Matching Transformer to IEC 61558-2-13, DIN EN 61558-2-13, VDE 0570 part 2-13, or VDE 0532, UL 506, CSA 22.2





AT3 25-44/46-4

Autotransformer



| | |
|-------------------------------|-------------------------|
| Input data | |
| Input voltage | 3x440/460 V |
| Frequency range | 50 - 60 Hz |
| Output data | |
| Output voltage | 3 x 400 V |
| Efficiency | 94 % |
| Power | 25000 VA |
| Standards and security | |
| Approvals | C-UL-US |
| Short circuit strength | non-short-circuit proof |
| Protection index | IP 00 |
| Safety class (prepared) | I |
| Ambient temperature max. | 40 °C |
| Class of Insulation System | F |
| Test voltage | 4000 V, 50 Hz |
| General data | |
| Vector group | YNaO |
| Mechanical data | |
| Type | open type |
| Core | 3 UI 132/72 |
| Terminals | screw type terminals |
| Fixing method | mounting brackets |
| Wide | 315 mm |
| Fixing screws | M8 |
| Weight | 30.30 kg |
| Order numbers | |
| Order Number | AT3 25-44/46-4 |

BLOCK Transformatoren-Elektronik GmbH

Max-Planck-Straße 36-46

27283 Verden

Germany

Phone +49 4231 678-0

Fax +49 4231 678-177