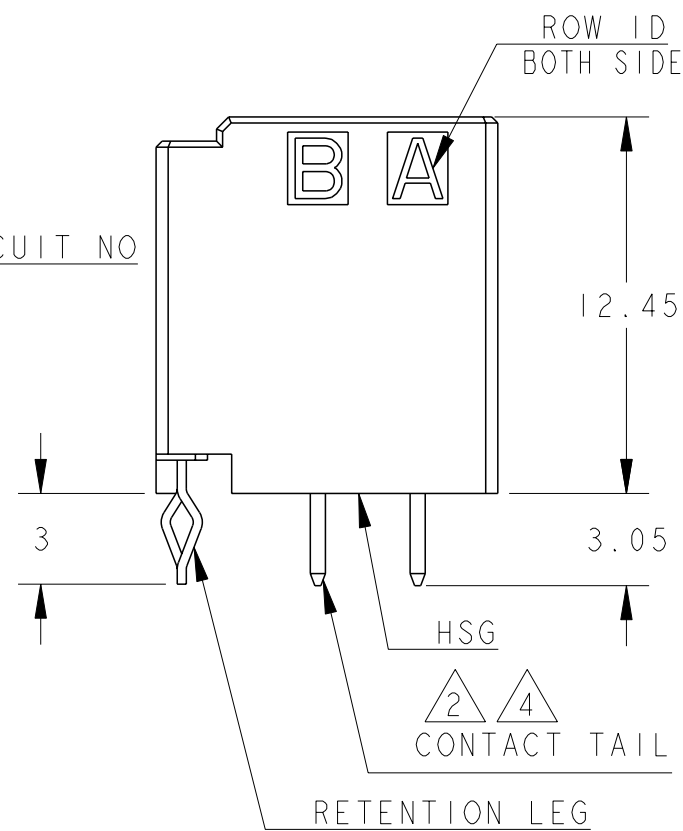
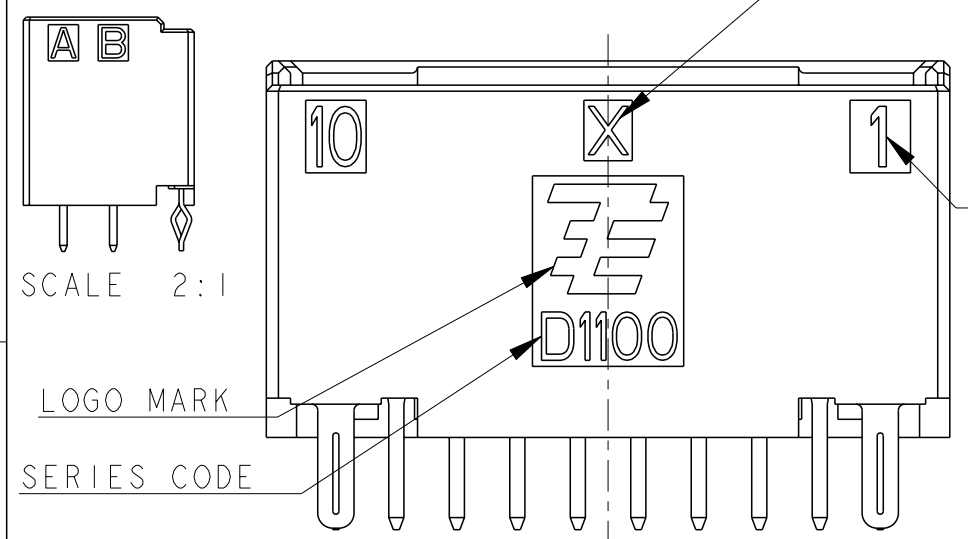
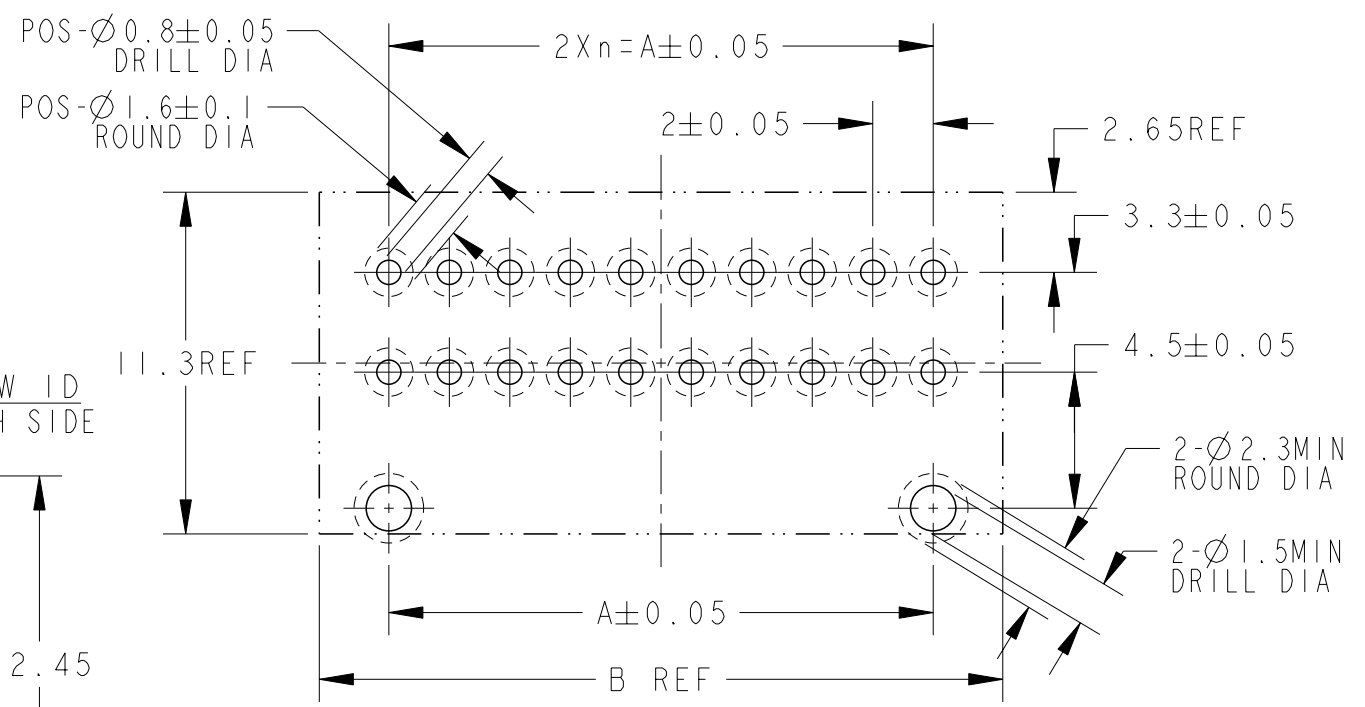
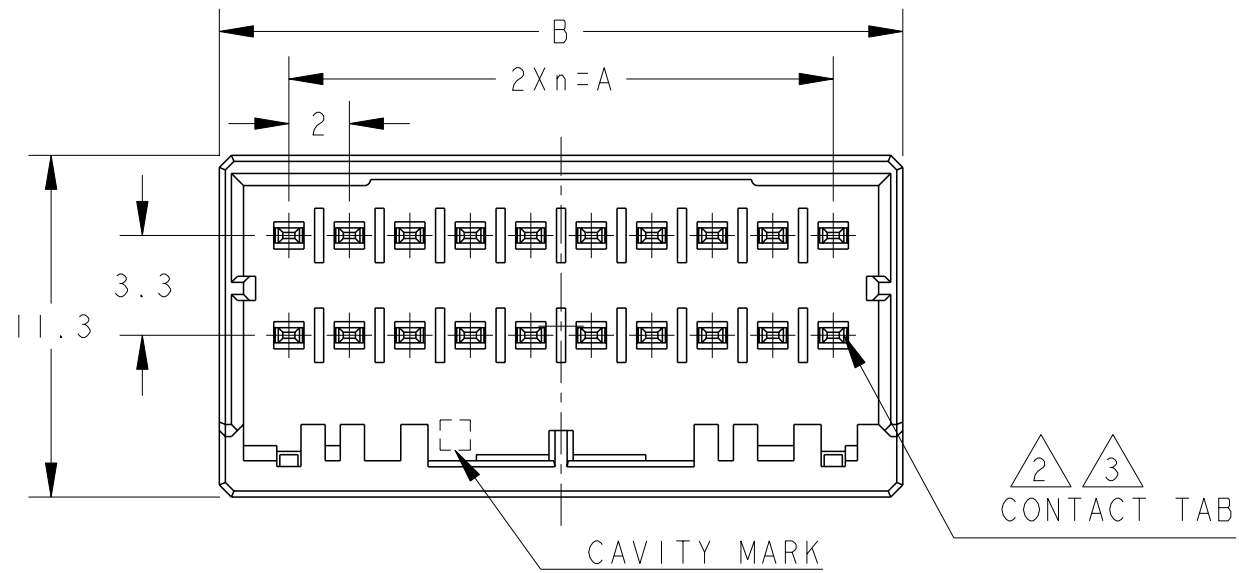
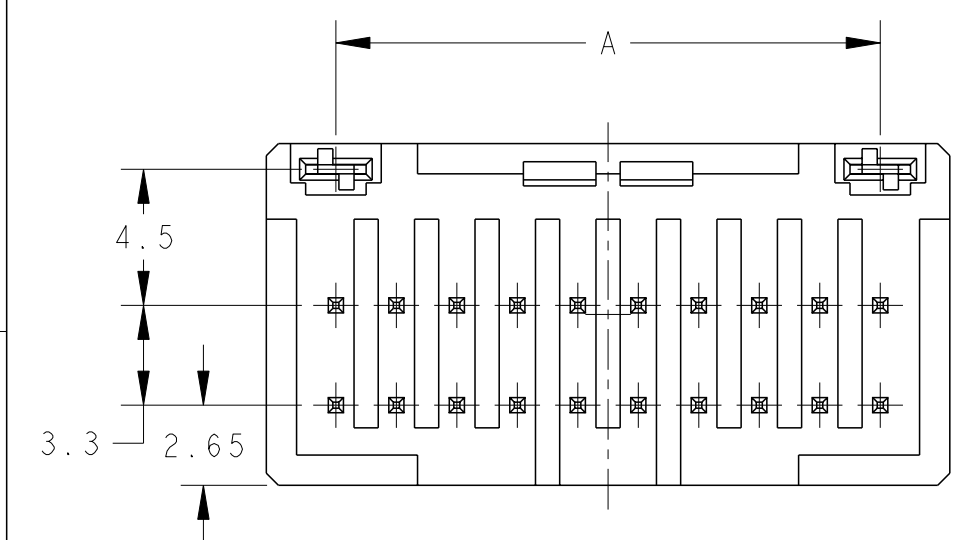


THIS DRAWING IS UNPUBLISHED. RELEASED FOR PUBLICATION 20
 © COPYRIGHT 20 BY TYCO ELECTRONICS CORPORATION. ALL RIGHTS RESERVED.

LOC	DIST	REVISIONS			
P	LTR	DESCRIPTION	DATE	DWN	APVD
J	-	A	RELEASED	22JUL2008	M.M S.M
		B	REVISED	21JAN2010	R.K N.Y
		BI	REVISED PER ECR-17-005500	5MAY2017	N.W C.W



RECOMMEND PC BOARD HOLE PATTERN : CONNECTOR MOUNT SIDE (NOT ACCUMULATE TOLERANCE)
 PC BOARD THICKNESS : 1.0~1.6±0.1
 推奨基板取付穴寸法 : コネクタ搭載面 (非累積公差)
 PC基板厚 : 1.0~1.6±0.1



AS SHOWN : 20POS(X-KEY)

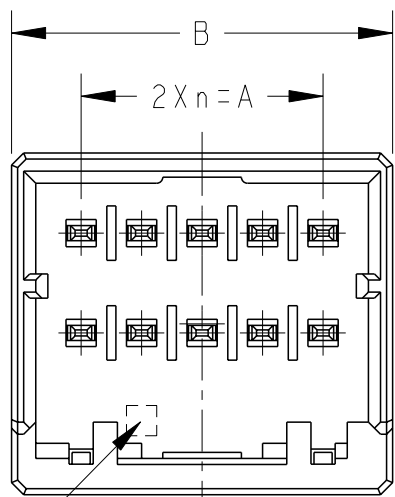
18	X	8	16.0	20.6	Sn PLATED	3-2040516-9
18	X	8	16.0	20.6	GOLD PLATED	1-2040516-9
10	X	4	8.0	12.6	Sn PLATED	3-2040516-5
10	X	4	8.0	12.6	GOLD PLATED	1-2040516-5
POS	KEY	n	A	B	FINISHED	PART NO

THIS DRAWING IS A CONTROLLED DOCUMENT FOR TYCO ELECTRONICS CORPORATION. IT IS SUBJECT TO CHANGE AND THE CONTROLLING ENGINEERING ORGANIZATION SHOULD BE CONTACTED FOR THE LATEST REVISION.		DWN M. MAEBASHI 22JUL2008	Tyco Electronics Corporation Kawasaki, Japan	
DIMENSIONS: mm		CHK T. KUDO 22JUL2008	NAME DYNAMIC D1100D 2.0mm PITCH HDR ASSY (V-TYPE) 4-20POS	
TOLERANCES UNLESS OTHERWISE SPECIFIED: ±0.3, ±5°		APVD S. MANABE 22JUL2008	PRODUCT SPEC 108-78268/78298	
0-PLC ± 1-PLC ±0.5 2-PLC ±0.13 3-PLC ±0.013 4-PLC ±0.001 ANGLES ±		APPLICATION SPEC 114-5377	RESTRICTED TO	
MATERIAL 1		WEIGHT -	SIZE A300779	DRAWING NO C-2040516
FINISH 2 3 4		CUSTOMER DRAWING	SCALE 4:1	SHEET 1 OF 3 REV BI

THIS DRAWING IS UNPUBLISHED. RELEASED FOR PUBLICATION 20

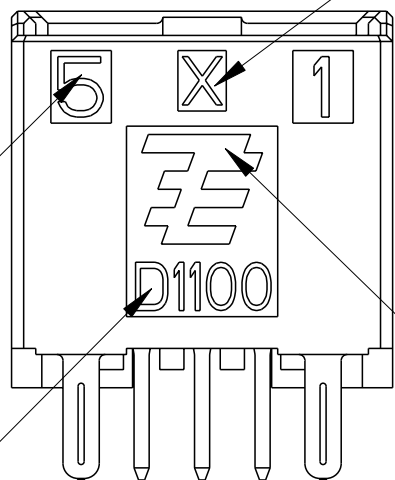
© COPYRIGHT 20 BY TYCO ELECTRONICS CORPORATION. ALL RIGHTS RESERVED.

LOC	DIST	REVISIONS					
		P	LTR	DESCRIPTION	DATE	DWN	APVD
J	-			SEE SHEET 1 OF 3			



CAVITY MARK

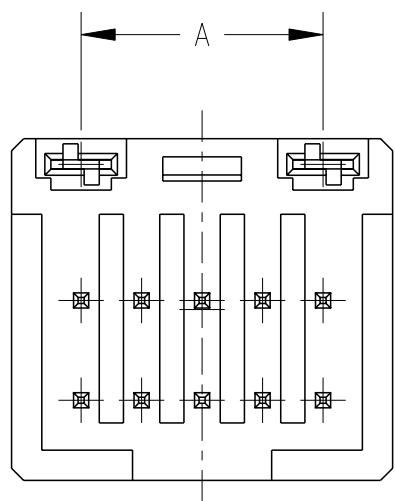
KEYING MARK



CIRCUIT NO

SERIES CODE

LOGO MARK



10POS(X-KEY): 1-2040516-5

①. 材料:ハウジング:ガラス入り熱可塑性ポリエステル樹脂(94V-0)、色:黒
 コンタクト:銅合金
 リテンションレグ:錫めっき済銅合金

②. めっき(全面):ニッケル下地めっき1.27μm以上

③. めっき(接触部):②の上に金めっき0.38μm以上,またはsn1.0μm以上

④. めっき(コンタクト半田付部):②の上に錫めっき2μm以上

5. 文字の形状、大きさ、および位置については、大略を示すものであり、詳細を示すものではありません。

①. MATERIAL: HOUSING: GLASS FILED THERMO PLASTIC POLYESTER(94V-0), COLOR: BLACK
 CONTACT: COPPER ALLOY
 RETENTION LEG: PRE-TIN COPPER ALLOY

②. FINISH(ALL OVER): NICKEL PLATING 1.27μmMIN

③. FINISH(CONTACT AREA): GOLD PLATING 0.38μmMIN OR Sn PLATING 1.0μmMIN AFTER ②

④. FINISH(CONTACT TAIL): TIN PLATING 2μmMIN AFTER ②

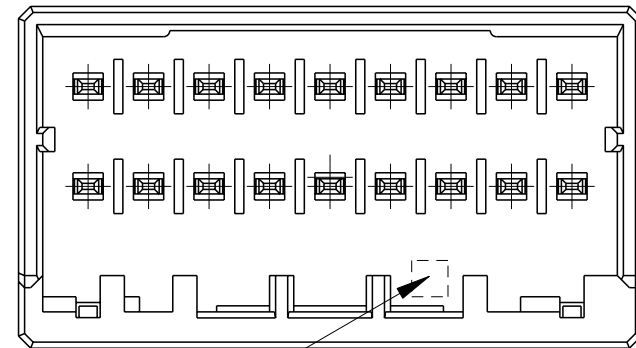
5. THE SHAPE, SIZE AND POSITION OF THE CHARACTER SHOW THE OUTLINE. THEY DON'T SHOW DETAILS.

THIS DRAWING IS A CONTROLLED DOCUMENT FOR TYCO ELECTRONICS CORPORATION. IT IS SUBJECT TO CHANGE AND THE CONTROLLING ENGINEERING ORGANIZATION SHOULD BE CONTACTED FOR THE LATEST REVISION.		DWN SEE SHEET 1	Tyco Electronics Corporation Kawasaki, Japan	
DIMENSIONS:		CHK SEE SHEET 1	NAME DYNAMIC D1100D 2.0mm PITCH HDR ASSY (V-TYPE) 4-20POS	
TOLERANCES UNLESS OTHERWISE SPECIFIED:		APVD SEE SHEET 1	SIZE A300779	CAGE CODE C-2040516
0 PLC ±	1 PLC ±	PRODUCT SPEC -	DRAWING NO 2040516	RESTRICTED TO -
2 PLC ±	3 PLC ±	APPLICATION SPEC -		
4 PLC ±	ANGLES ±	WEIGHT -		
MATERIAL	FINISH	CUSTOMER DRAWING	SCALE 4:1	SHEET 2 OF 3

SEE SHEET 1 OF 3

THIS DRAWING IS UNPUBLISHED. RELEASED FOR PUBLICATION 20
 © COPYRIGHT 20 BY TYCO ELECTRONICS CORPORATION. ALL RIGHTS RESERVED.

LOC		DIST		REVISIONS			
P	LTR	DESCRIPTION	DATE	DWN	APVD		
J	-	SEE SHEET 1 OF 3					

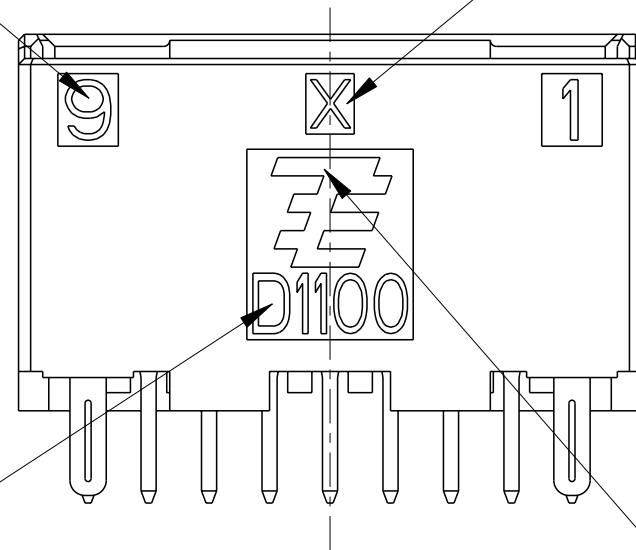


ROW ID
BOTH SIDE

CIRCUIT NO

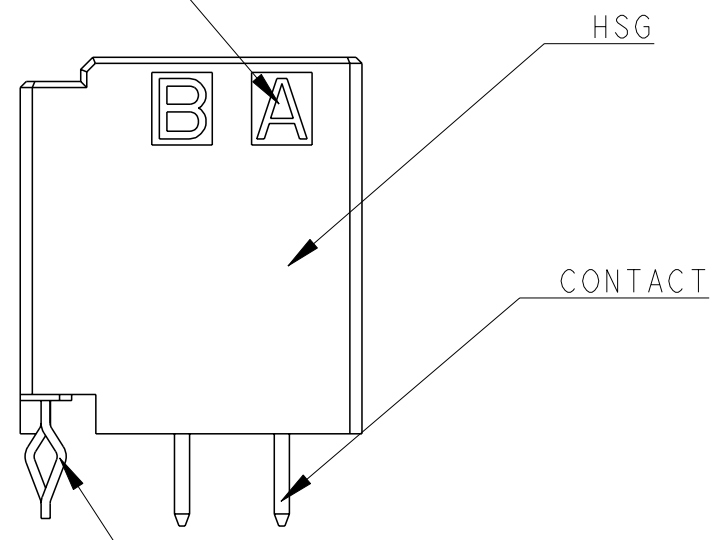
CAVITY MARK
ALPHABET: CAPITAL LETTER

KEYING MARK



SERIES CODE

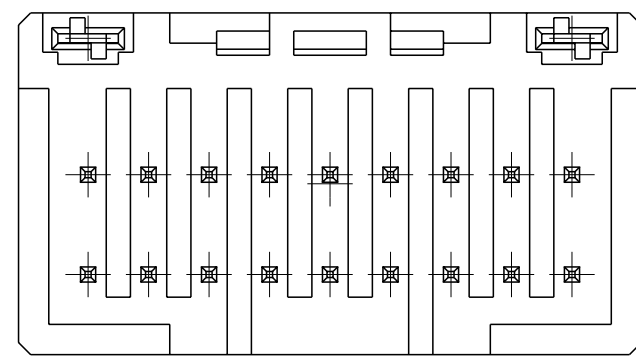
LOGO MARK



HSG

CONTACT

RETENTION LEG



18POS(X-KEY) : 1-2040516-9

<small>THIS DRAWING IS A CONTROLLED DOCUMENT FOR TYCO ELECTRONICS CORPORATION. IT IS SUBJECT TO CHANGE AND THE CONTROLLING ENGINEERING ORGANIZATION SHOULD BE CONTACTED FOR THE LATEST REVISION.</small>		DWN SEE SHEET 1 CHK SEE SHEET 1 APVD SEE SHEET 1 PRODUCT SPEC - APPLICATION SPEC - WEIGHT -		Tyco Electronics Corporation Kawasaki, Japan	
DIMENSIONS:		TOLERANCES UNLESS OTHERWISE SPECIFIED:		NAME DYNAMIC D1100D 2.0mmPITCH HDR ASSY (V-TYPE) 4-20POS	
		0 PLC ± 1 PLC ± 2 PLC ± 3 PLC ± 4 PLC ± ANGLES ±		SIZE CAGE CODE DRAWING NO RESTRICTED TO A300779 C-2040516 -	
MATERIAL FINISH		CUSTOMER DRAWING		SCALE 4:1 SHEET 3 OF 3 REV B1	

SEE SHEET 1 OF 3