

Strain Relief

2.54mm Flat Cable IDC Socket

multicomp^{PRO}

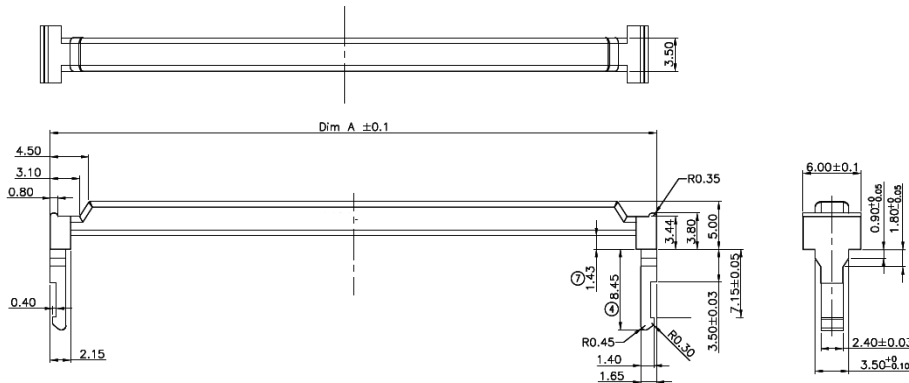
RoHS
Compliant



Specifications

Material : PBT (UL94V-0)
Standard Colour : Black

Diagram



Part Number Table

Description	Dimensions A	Part Number
Strain Relief, 2.54mm Flat Cable IDC Socket, 6POS	12.3mm	MC-254-06-SR
Strain Relief, 2.54mm Flat Cable IDC Socket, 8POS	14.84mm	MC-254-08-SR
Strain Relief, 2.54mm Flat Cable IDC Socket, 10POS	17.38mm	MC-254-10-SR
Strain Relief, 2.54mm Flat Cable IDC Socket, 12POS	19.92mm	MC-254-12-SR
Strain Relief, 2.54mm Flat Cable IDC Socket, 14POS	22.46mm	MC-254-14-SR
Strain Relief, 2.54mm Flat Cable IDC Socket, 16POS	25mm	MC-254-16-SR
Strain Relief, 2.54mm Flat Cable IDC Socket, 18POS	27.54mm	MC-254-18-SR
Strain Relief, 2.54mm Flat Cable IDC Socket, 20POS	30.08mm	MC-254-20-SR
Strain Relief, 2.54mm Flat Cable IDC Socket, 24POS	35.16mm	MC-254-24-SR
Strain Relief, 2.54mm Flat Cable IDC Socket, 26POS	37.7mm	MC-254-26-SR
Strain Relief, 2.54mm Flat Cable IDC Socket, 30POS	42.78mm	MC-254-30-SR
Strain Relief, 2.54mm Flat Cable IDC Socket, 34POS	47.86mm	MC-254-34-SR
Strain Relief, 2.54mm Flat Cable IDC Socket, 40POS	55.48mm	MC-254-40-SR
Strain Relief, 2.54mm Flat Cable IDC Socket, 50POS	68.18mm	MC-254-50-SR
Strain Relief, 2.54mm Flat Cable IDC Socket, 60POS	80.88mm	MC-254-60-SR
Strain Relief, 2.54mm Flat Cable IDC Socket, 64POS	85.96mm	MC-254-64-SR

Dimensions : Millimetres

Important Notice : This data sheet and its contents (the "Information") belong to the members of the AVNET group of companies (the "Group") or are licensed to it. No licence is granted for the use of it other than for information purposes in connection with the products to which it relates. No licence of any intellectual property rights is granted. The Information is subject to change without notice and replaces all data sheets previously supplied. The Information supplied is believed to be accurate but the Group assumes no responsibility for its accuracy or completeness, any error in or omission from it or for any use made of it. Users of this data sheet should check for themselves the Information and the suitability of the products for their purpose and not make any assumptions based on information included or omitted. Liability for loss or damage resulting from any reliance on the Information or use of it (including liability resulting from negligence or where the Group was aware of the possibility of such loss or damage arising) is excluded. This will not operate to limit or restrict the Group's liability for death or personal injury resulting from its negligence. Multicomp Pro is the registered trademark of Premier Farnell Limited 2019.

Newark.com/multicomp-pro
Farnell.com/multicomp-pro
Element14.com/multicomp-pro

multicomp^{PRO}