

Datasheet

Electro-Holding Magnet

RS Stock number 739-3236



Description

Mountings: Central machined hole in rear face of magnet

Finish Bright nickel plated with machined face

Product weight: 24V - 352g
240V - 354g

Technical Data

Typical holding force: 250N

IP Rating: 54

Standard operating voltage: 24VDC (7393236)
240VAC (7393227)

Current: 24V - 240mA
240V - 50mA

Power consumption: 5.5W

Duty cycle: S2

Ambient working temperature: 35°C

Connection type: 24VDC Hirschmann connector
240VAC Hirschmann connector with rectifier

Recommended armature plate

Finish: Bright nickel plated
 Diameter: 40mm
 Part No. 7393255
 Weight: 50g



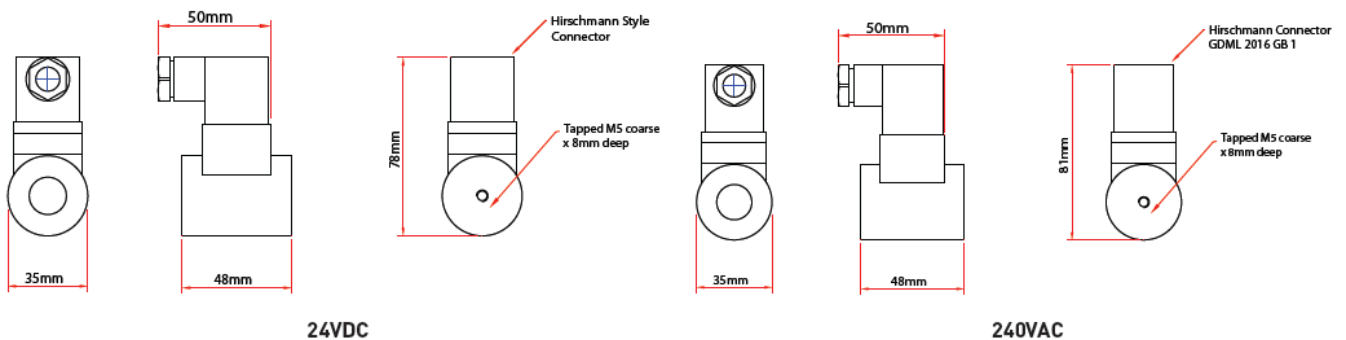
Pull gaps

Air gap (mm)	Magnetic Pull* (N)
0.00	250
0.09	91
0.18	51
0.27	32
0.36	23
0.59	17

* +/- 10%

To achieve the optimum pull force 100% contact area must be achieved using the recommended armature plate. The force will be affected if other material specifications, thicknesses and surfaces are used, or if the armature fails to make positive contact over the full diameter of the face of the magnet. Where misalignment is likely to be an issue we recommend that an oversized armature plate is used to ensure 100% full contact, this however will reduce the stated pull force by approximately 10%.

Dimensions



24VDC

240VAC