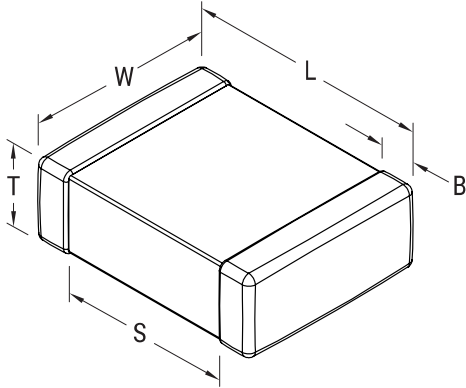


SMD Comm X5R, Ceramic, 1 uF, 10%, 10 VDC, X5R, SMD, MLCC, Temperature Stable, Class II, 0402



| Dimensions | |
|------------|-----------------|
| L | 1mm +/-0.05mm |
| W | 0.5mm +/-0.05mm |
| T | 0.5mm +/-0.05mm |
| S | 0.3mm MIN |
| B | 0.3mm +/-0.1mm |

| Packaging Specifications | |
|--------------------------|------------------------|
| Packaging: | T&R, 330mm, Paper Tape |
| Packaging Quantity: | 50000 |

| General Information | |
|---------------------|--|
| Supplier: | KEMET |
| Series: | SMD Comm X5R |
| Style: | SMD Chip |
| Description: | SMD, MLCC, Temperature Stable, Class II |
| Features: | Temperature Stable, Class II |
| RoHS: | Yes |
| Termination: | Tin |
| Marking: | No |
| Miscellaneous: | Note: Referee time for X5R dielectric for this part number is 48 hours |
| Chip Size: | 0402 |

| Specifications | |
|----------------------------------|---------------------|
| Capacitance: | 1 uF |
| Capacitance Tolerance: | 10% |
| Voltage DC: | 10 VDC |
| Dielectric Withstanding Voltage: | 25 VDC |
| Temperature Range: | -55/+85C |
| Temperature Coefficient: | X5R |
| Dissipation Factor: | 10.00% 1kHz 25C |
| Aging Rate: | 5% Loss/Decade Hour |
| Insulation Resistance: | 100 MOhms |