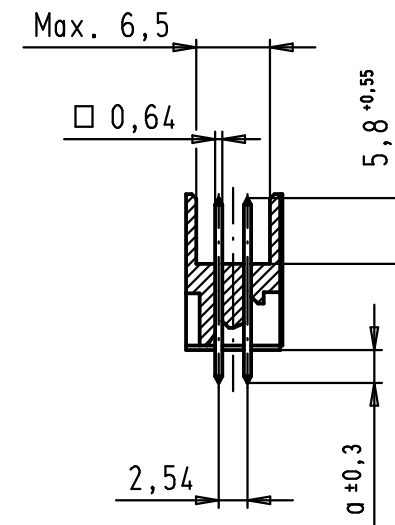
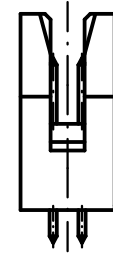
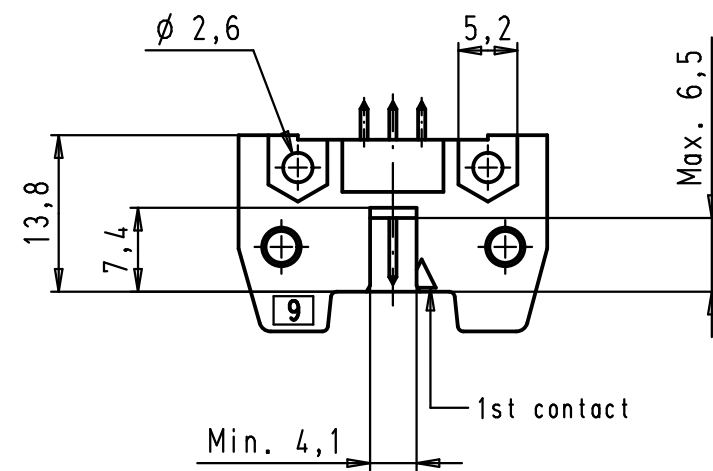
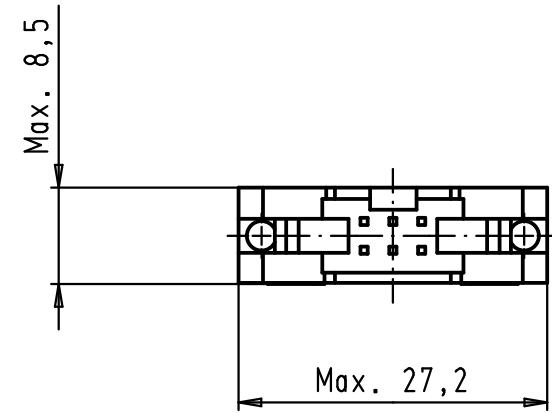
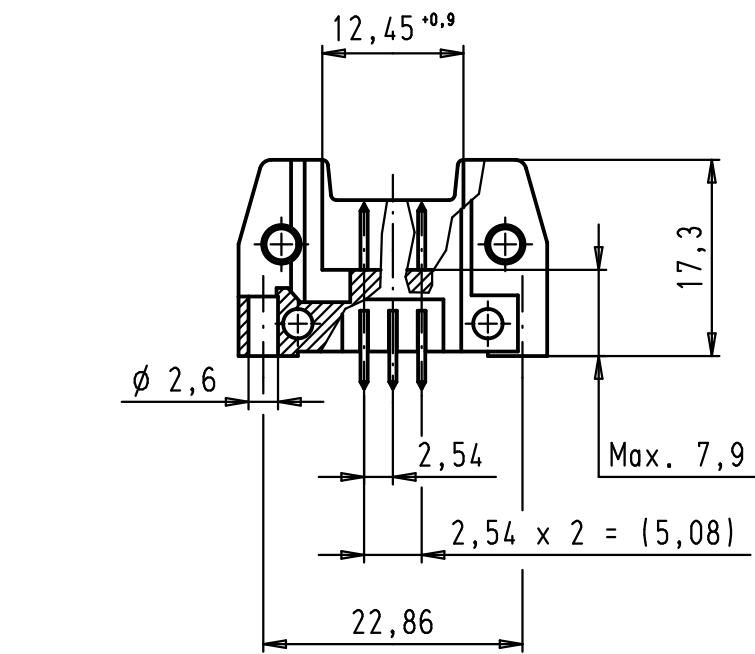
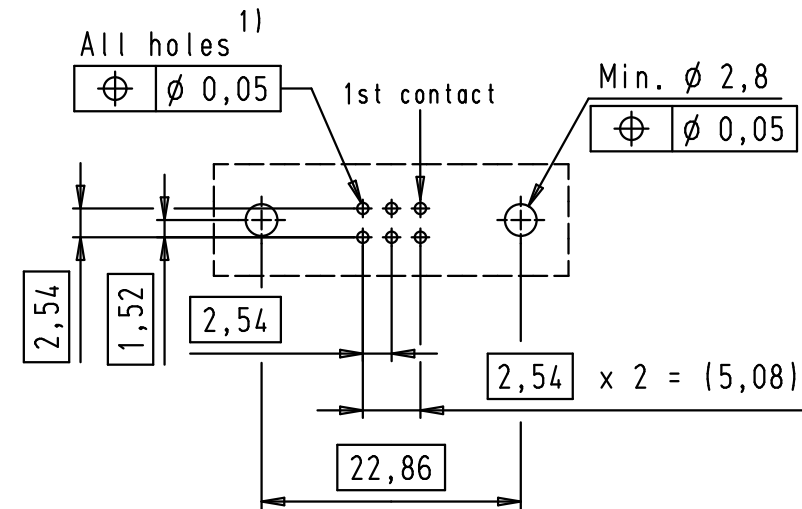


Alle Rechte vorbehalten/ All rights reserved



PCB layout, component side



1) Solder pins for PCB connections
 $\phi 1 \pm 0,1$ according to IEC 60 326-3

| | | |
|----------------|-----------------------|-----|
| 09 18 506 7922 | 3 | 4,5 |
| 09 18 506 6922 | 2 | 4,5 |
| 09 18 506 5922 | 0,76 $\mu\text{m Au}$ | 4,5 |
| 09 18 506 7924 | 3 | 2,9 |
| 09 18 506 6924 | 2 | 2,9 |
| 09 18 506 5924 | 0,76 $\mu\text{m Au}$ | 2,9 |
| Part number | Performance level | a |

| | | | | | | | | | |
|-------|----------|------|-------------------------------|---------|----------|--|--|----------------------------|------|
| | | | | Det. | Name | All Dim. in mm Orig. Size DIN A 3 | SEK 18 Male Connector Standard 06 poles Straight solder pins Without locking levers | Maßstab/ Scale 1,5:1 | |
| | | | | Detail. | 01/12/99 | | | | JB |
| | | | | Insp. | | | | | |
| 34900 | 29/01/08 | LP | | Stand. | | | | | |
| 27931 | 15/06/00 | JB | | | | | | | |
| 26554 | 01/12/99 | JB | | | | | | | |
| Mod. | Det. | Name | HARTING EURL F-95972 Paris | | | | TB 09 18 506 X92X | Blatt/ Page 1 / 2 | |
| | | | | | | | | | Sub. |