

MODEL: CES-30207-158L120-67 | **DESCRIPTION:** SPEAKER**FEATURES**

- 8 ohm rated impedance
- 120 mm lead wire
- IP67 rated

**SPECIFICATIONS**

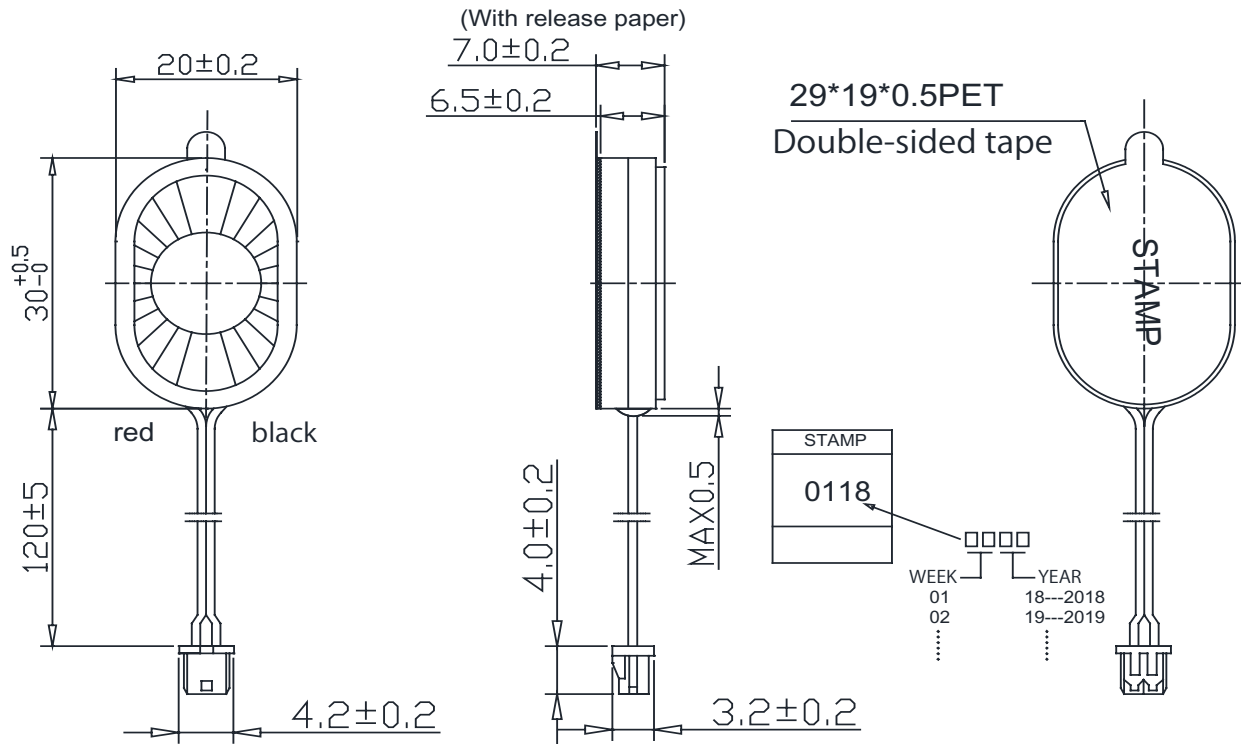
| parameter | conditions/description | min | typ | max | units |
|-------------------------|--|-------|-------|--------|--------------|
| input power | max power: IEC-60268-5, filter 60 seconds on, 120 seconds off, 10 cycles (room temp) | | 1.5 | 2.0 | W |
| impedance | at 3.0 kHz, 1.0 V | 6.8 | 8 | 9.2 | Ω |
| resonant frequency (Fo) | at 1.0 V | 1,360 | 1,700 | 2,040 | Hz |
| frequency response | | Fo | | 20,000 | Hz |
| sound pressure level | at 1.5 W, 10 cm, avg at 3.0, 4.0, 5.0, 6.0 kHz | 97 | 100 | 103 | dB |
| distortion | at 2.0 kHz, rated power | | | 10 | % |
| buzz, rattle, etc. | must be normal at sine wave, frequency range | | | 4.0 | V |
| polarity | cone moves forward w/ positive dc current to "+" terminal | | | | |
| dimensions | 30.0 x 20.0 x 7.0 | | | | mm |
| magnet | Nd-Fe-B | | | | |
| enclosure material | ABS | | | | |
| cone material | PEN | | | | |
| terminal | wire leads with connector | | | | |
| weight | | | 5.5 | | g |
| operating temperature | | -40 | | 70 | $^{\circ}$ C |
| storage temperature | | -40 | | 85 | $^{\circ}$ C |
| RoHS | yes | | | | |
| IP level | IP67 (front side) | | | | |

Notes: 1. All specifications measured at 25~75 $^{\circ}$ C, humidity at 45~85%, under 86~106 kPa pressure, unless otherwise noted.

MECHANICAL DRAWING

units: mm
tolerance: ± 0.2 mm

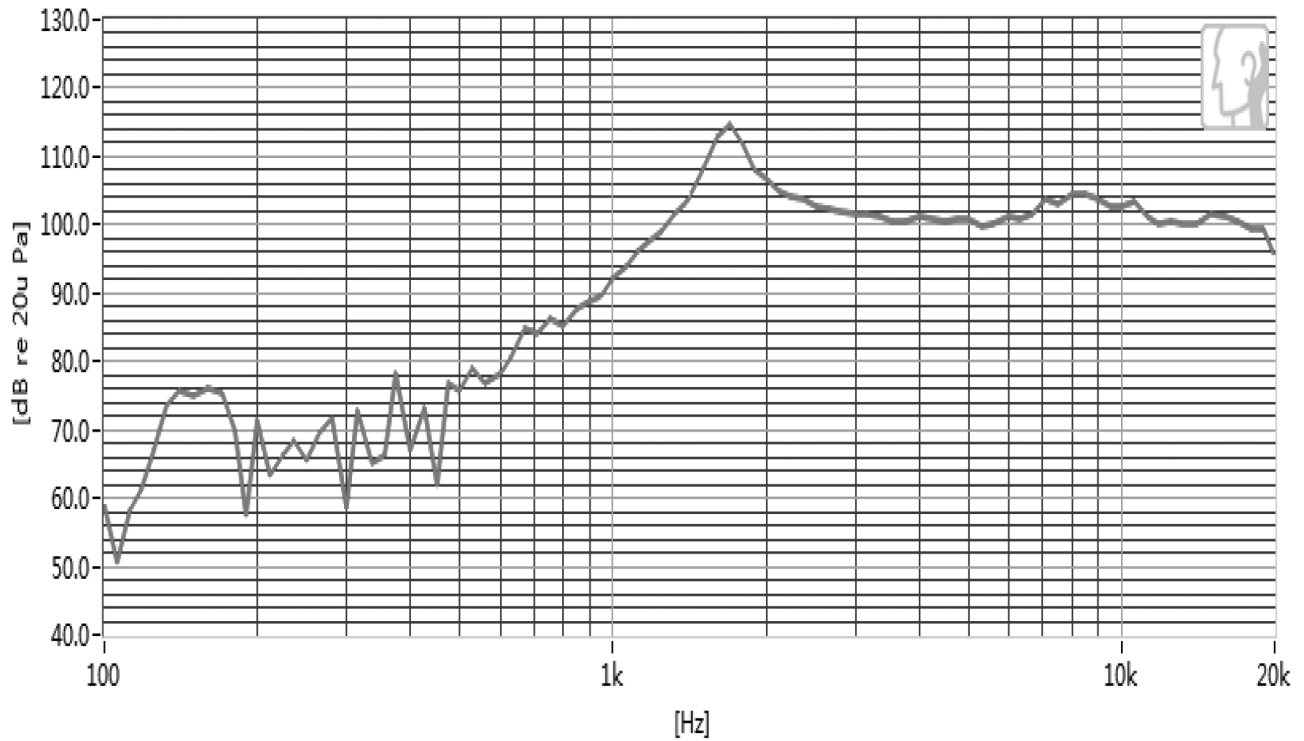
wire: UL1571 30 AWG
internal speaker: CMS-30205-158L120-67
connector: Molex 51021-0200 or equivalent; P=1.25



RESPONSE CURVES

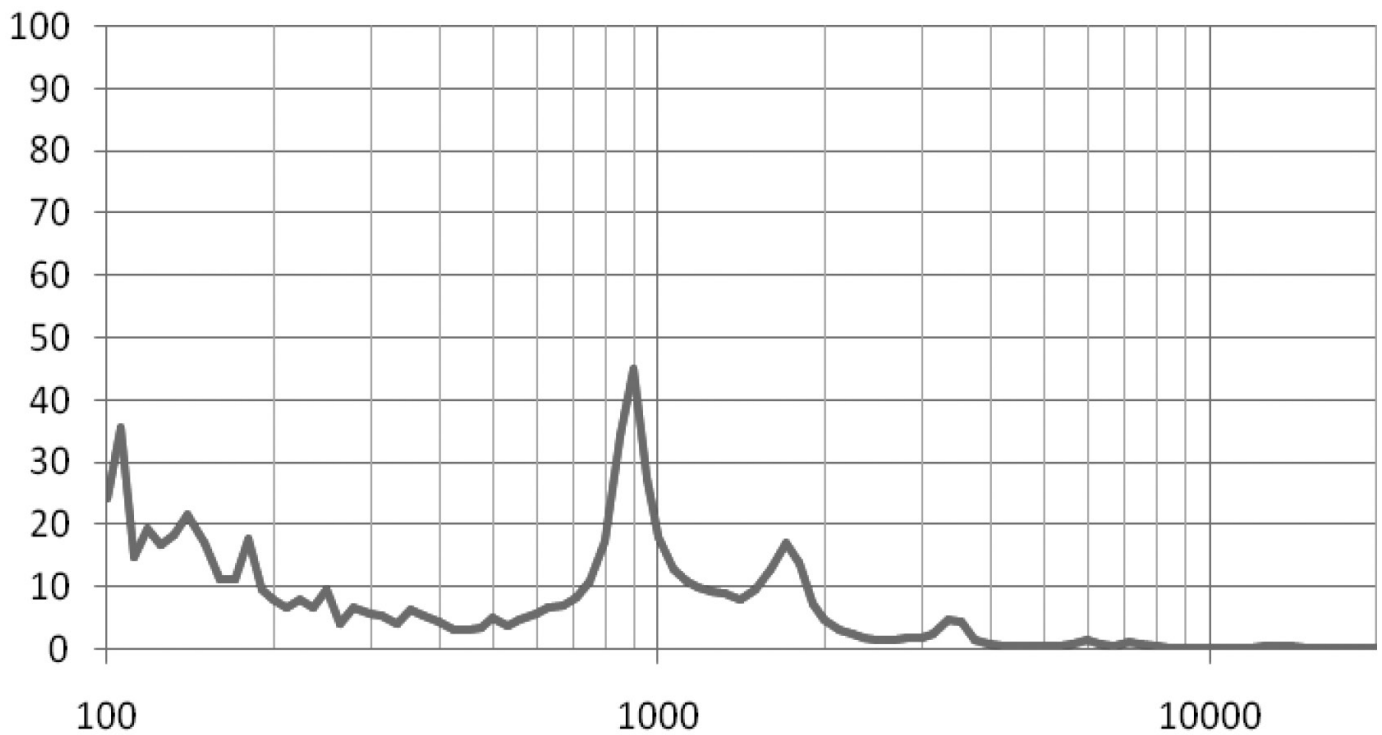
Frequency Response Curve

Test Conditions: 1.5 W / 10 cm



Total Harmonic Distortion Curve

Test Conditions: 1.5 W / 10 cm



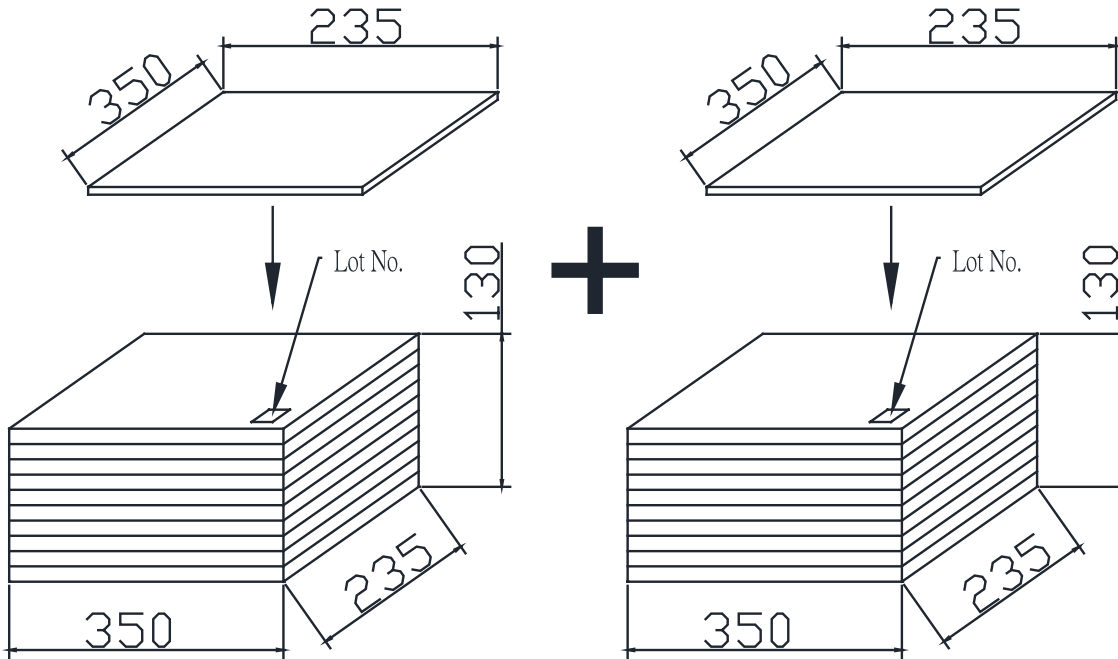
PACKAGING

units: mm

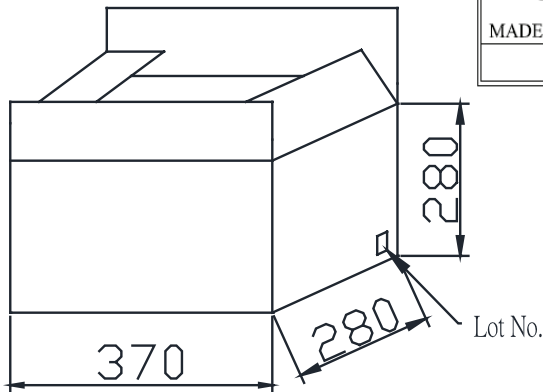
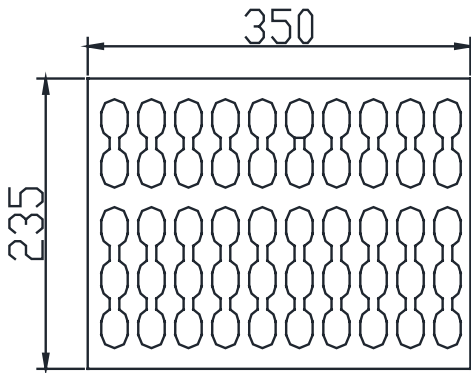
Tray Size: 350 x 235 x 15 mm
 Tray QTY: 50 pcs per tray
 Carton Size: 370 x 280 x 280 mm
 Carton QTY: 800 pcs per carton

50PCS×8=400PCS

50PCS×8=400PCS



TRAY 50PCS



| | |
|---------------|------------------------|
| Lot No. | XXXXXXXXXX |
| Part No. | CUI Inv# CUI Part#. |
| Quantity. | XXXX Pcs |
| Date: | |
| DD MM YY | RoHs Compliant |
| MADE IN CHINA | |
| CUI DEVICES | |

REVISION HISTORY

| rev. | description | date |
|------|-----------------|------------|
| 1.0 | initial release | 06/08/2020 |

The revision history provided is for informational purposes only and is believed to be accurate.

CUI DEVICES

CUI Devices offers a one (1) year limited warranty. Complete warranty information is listed on our website.

CUI Devices reserves the right to make changes to the product at any time without notice. Information provided by CUI Devices is believed to be accurate and reliable. However, no responsibility is assumed by CUI Devices for its use, nor for any infringements of patents or other rights of third parties which may result from its use.

CUI Devices products are not authorized or warranted for use as critical components in equipment that requires an extremely high level of reliability. A critical component is any component of a life support device or system whose failure to perform can be reasonably expected to cause the failure of the life support device or system, or to affect its safety or effectiveness.