

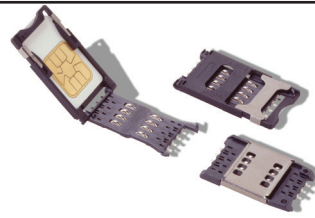
CCM03 MK2 Series

Features

- SIM/SAM card acceptance
- Hinged and fixed covers
- Compatible with pick and place and lead free soldering

Typical Applications

- Handheld products
- Identification
- POS
- Automotive



Mechanical

Number of Contacts	6 or 8
Mechanical life, hinged cover	10,000 cycles min
Mechanical life, fixed cover	50,000 cycles
Card insertion force	Hinged cover: 1N max Fixed cover: 3N max
Card extraction force	Hinged cover: 1N max Fixed cover: 0,80N min / 3N max
Contact force	0,25N min / 0,50N max
Slide locking force	2N min / 6N max 1,8N max. for complete depression
Vibration Frequency	10 to 500 Hz. Acceleration 50m/s ² Duration 6 hours - amplitude 0,35 mm
Max electrical discontinuity	1µs
Shock	Peak value 500 m/s ² – Duration 11 ms 3 shocks in each direction of each axis

Contact Electrical Data

Insulation resistance	1,000 MΩ min
Resistance	100 mΩ max
Current rating	10 µA min / 1 A max
Dielectric strength	750 Vrms min

Switch Electrical Data

Card detection switch	Normally open
Contact resistance	100 mΩ max
Dielectric strength	250 Vrms min
Current rating	1 mA min / 10m A max
Maximum power	0.2 VA

Environment Data

Operating temperature	-40°C to +85°C
Damp heat	IEC 512 test number 11c (10 days)
Salt mist	IEC 512 test number 11f (96 hours)
RoHS compliant	

Soldering Process

Compatible with lead free SMT soldering process



How To Order

Part number list is shown below. For individual part details, please refer to the following pages.

Part Number (Part Description)	Product Details
CCM03-3001LFT R102	Sim card connector 6 inlay contacts with hinged cover
CCM03-3002LFT R102	Sim card connector 6 inlay contacts with hinged cover with plastic peg
CCM03-3003LFT R102	Sim card connector 8 inlay contacts with hinged cover
CCM03-3004LFT R102	Sim card connector 8 inlay contacts with hinged cover with plastic peg
CCM03-3009LFT R102	Sim card connector 6 gold contacts with hinged cover
CCM03-3010LFT R102	Sim card connector 6 gold contacts with hinged cover with plastic peg
CCM03-3011LFT R102	Sim card connector 8 gold contacts with hinged cover
CCM03-3012LFT R102	Sim card connector 8 gold contacts with hinged cover with plastic peg
CCM03-3013LFT R102	Sim card connector 6 gold contacts with hinged cover and switch detection
CCM03-3504LFT R122	Sim card connector 8 contacts with fixed cover with plastic peg
CCM03-3505LFT R122	Sim card connector 6 contacts with fixed cover
CCM03-3512LFT R102	Sim card connector 6 contacts with hinged cover and large soldering pads
CCM03-3512LFT R851B	Sim card connector 6 contacts with hinged cover and large soldering pads

CCM03 MK2 Series

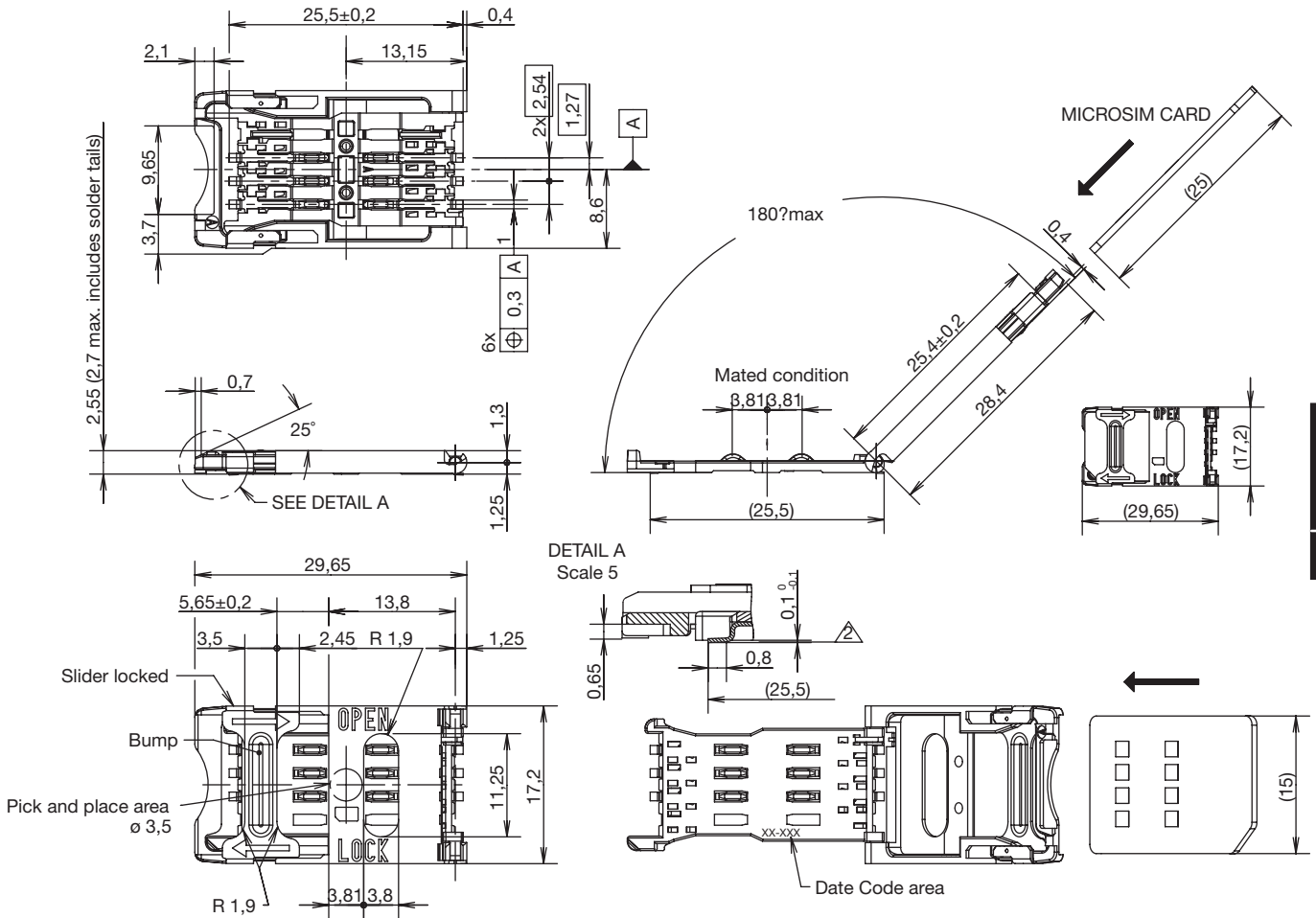
Designation	Contact Plating	Cover	# of Contacts	PCB Version	Card Presence Switch	Operating Life	Total Height (mm)	Dim. (mm)	Packaging
CCM03-3001LFT	inlay	hinged	6		without	10,000	2,55	17,2 x 29,65	reels of 1,000 pcs
CCM03-3002LFT	inlay	hinged	6	2 plastic pegs	without	10,000	2,55	17,2 x 29,65	reels of 1,000 pcs
CCM03-3003LFT	inlay	hinged	8		without	10,000	2,55	17,2 x 29,65	reels of 1,000 pcs
CCM03-3004LFT	inlay	hinged	8	2 plastic pegs	without	10,000	2,55	17,2 x 29,65	reels of 1,000 pcs
CCM03-3009LFT	gold	hinged	6		without	10,000	2,55	17,2 x 29,65	reels of 1,000 pcs
CCM03-3010LFT	gold	hinged	6	2 plastic pegs	without	10,000	2,55	17,2 x 29,65	reels of 1,000 pcs
CCM03-3011LFT	gold	hinged	8		without	10,000	2,55	17,2 x 29,65	reels of 1,000 pcs
CCM03-3012LFT	gold	hinged	8	2 plastic pegs	without	10,000	2,55	17,2 x 29,65	reels of 1,000 pcs
CCM03-3013LFT	gold	hinged	6		with	10,000	2,55	17,2 x 29,65	reels of 1,000 pcs
CCM03-3512LFT	gold	hinged	6	Large soldering pads*	without	10,000	2,55	17,2 x 29,65	reels of 1,000 pcs
CCM03-3504LFT	gold	fixed	8		without	50,000	2,85	17,2 x 25,5	reels of 1,000 pcs
CCM03-3505LFT	gold	fixed	6		without	50,000	2,85	17,2 x 25,5	reels of 1,000 pcs

* Can go through reflow upside down

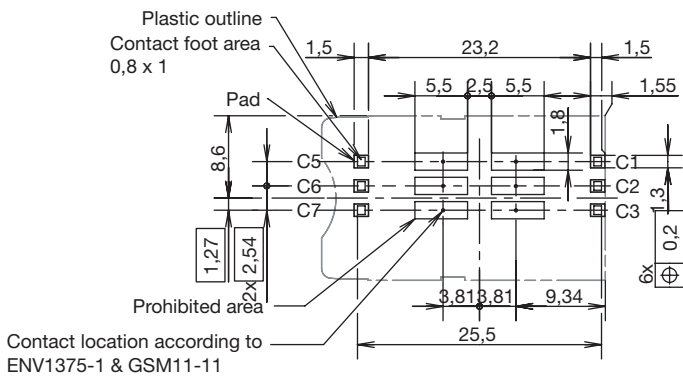
SIM/SAM

CCM03 MK2 Series

CCM03-3001 LFT / CCM03-3009 LFT



RECOMMENDED PC BOARD LAYOUT
(Component side)

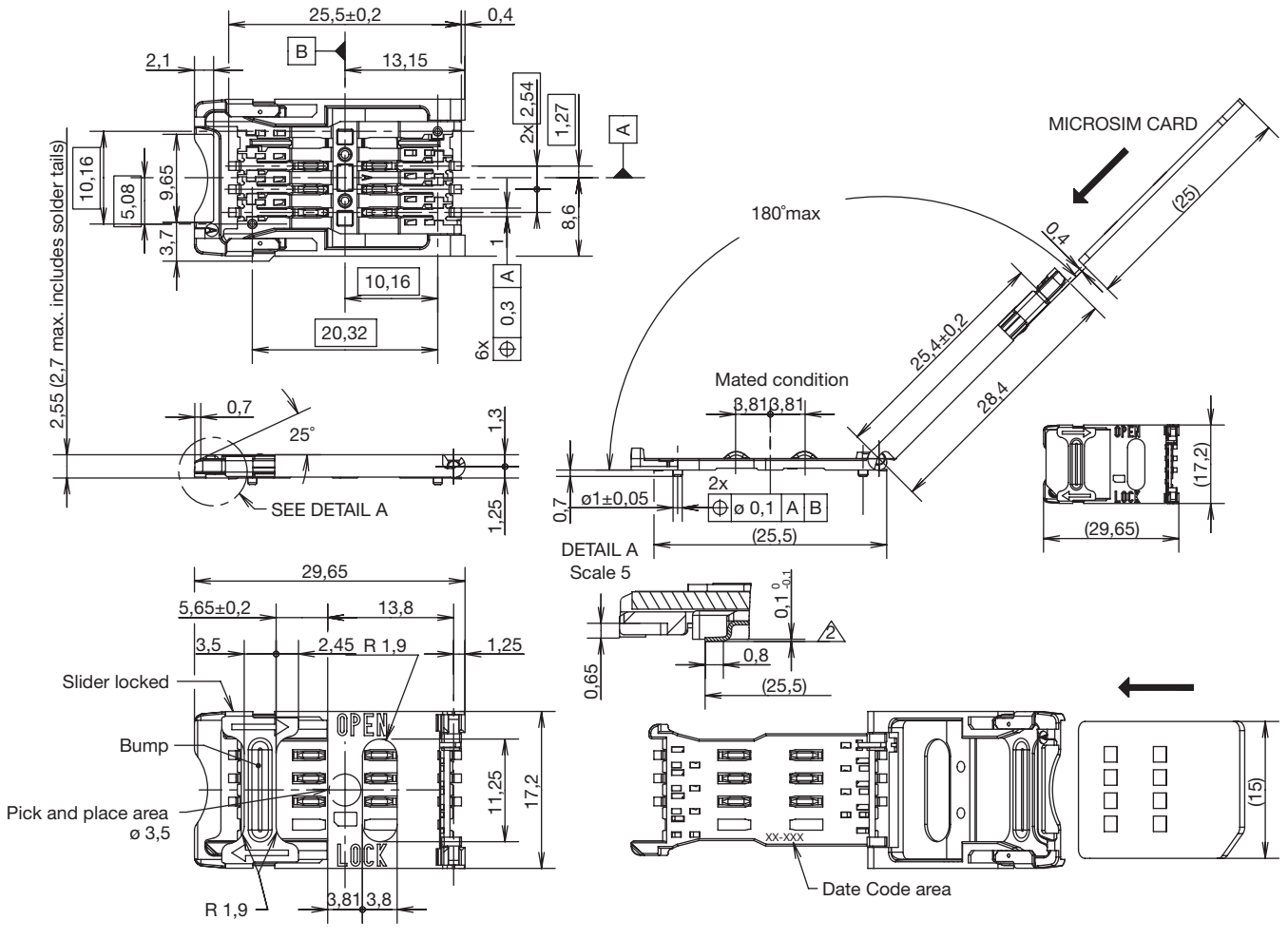


SIM/SAM

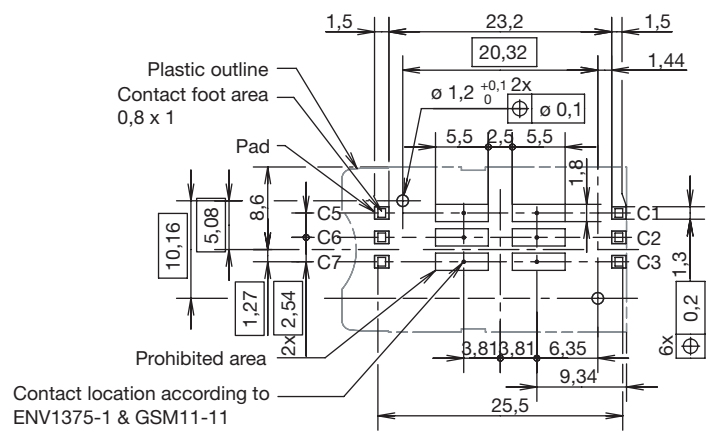
CCM03 MK2 Series

CCM03-3002 LFT / CCM03-3010 LFT

SIM/SAM



RECOMMENDED PC BOARD LAYOUT (Component side)

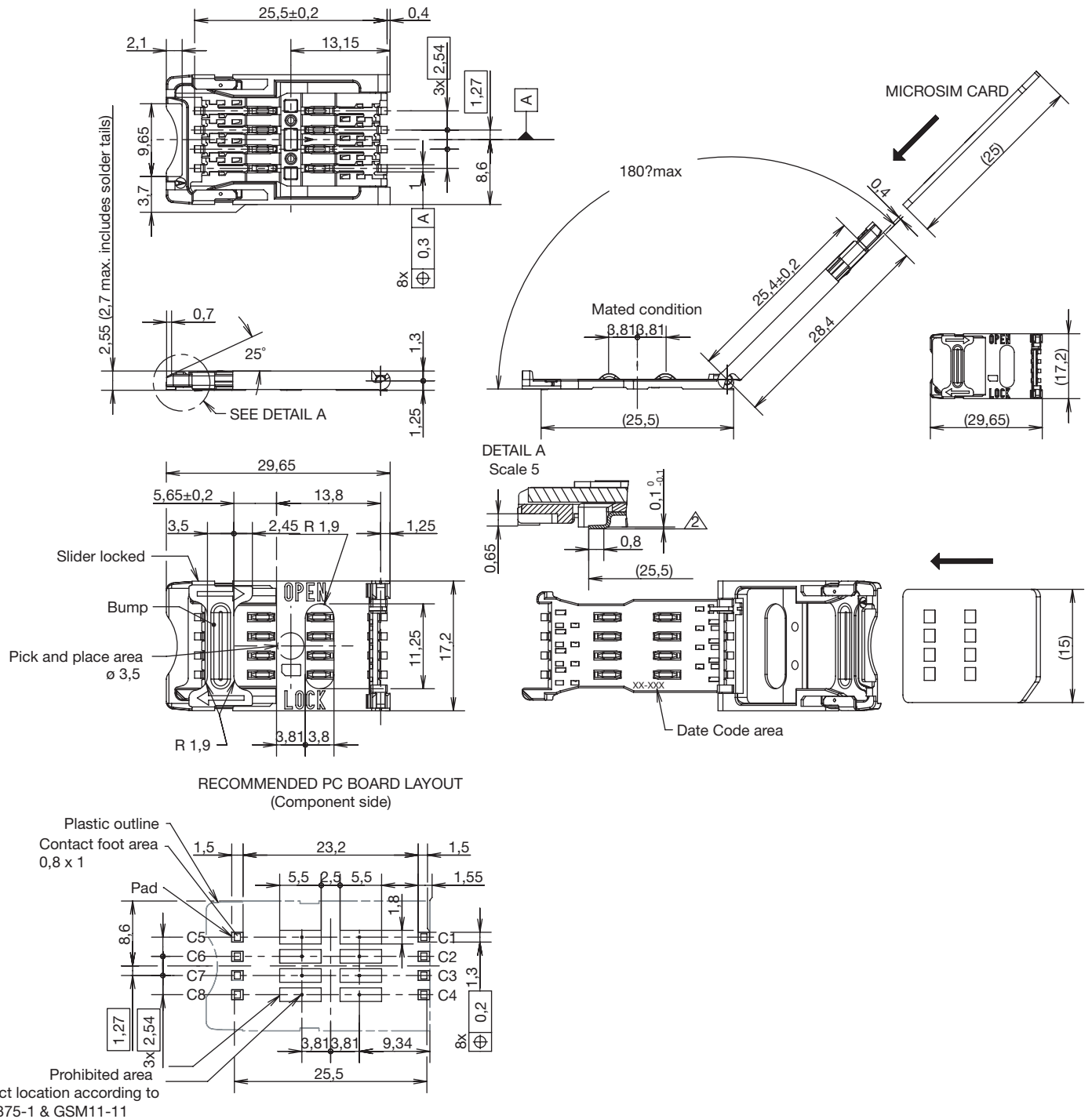


Dimensions are shown in mm Specifications and dimensions subject to change

www.ckswitches.com

CCM03 MK2 Series

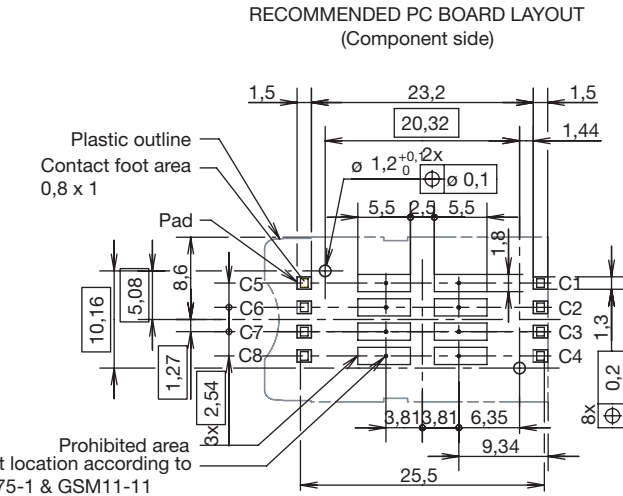
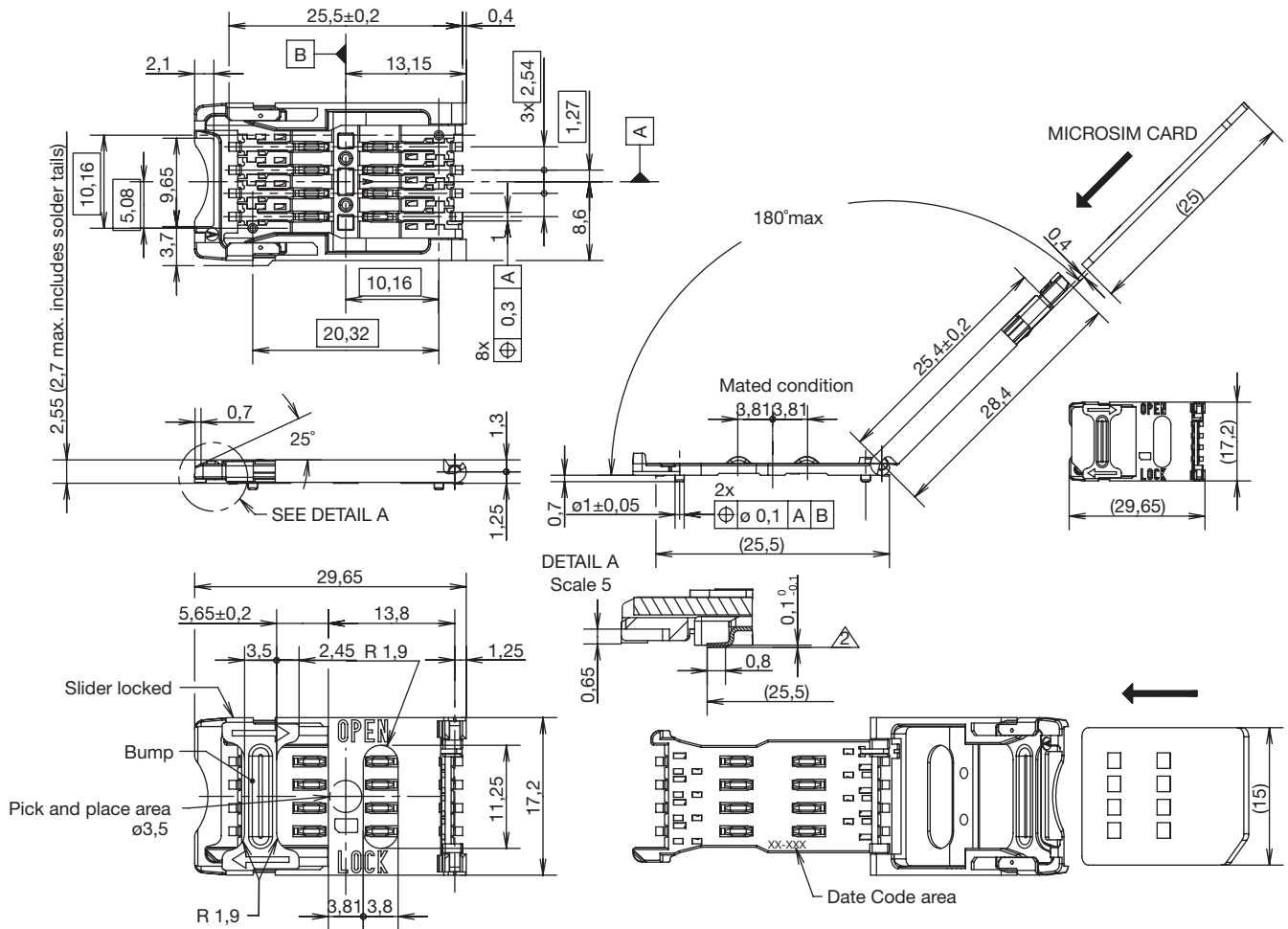
CCM03-3003 LFT



SIM/SAM

CCM03 MK2 Series

CCM03-3004 LFT



SIM/SAM

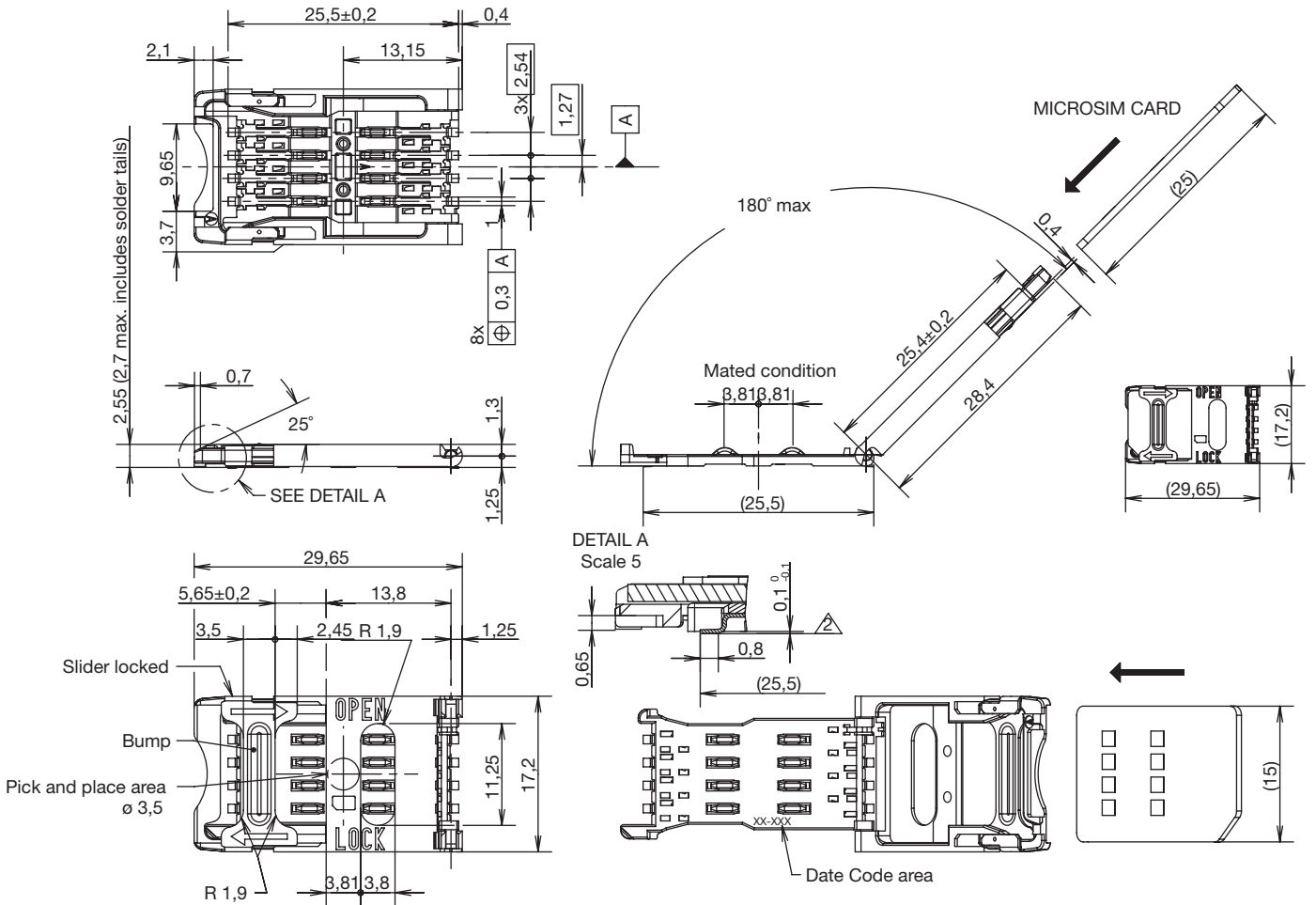


Dimensions are shown in mm
Specifications and dimensions subject to change

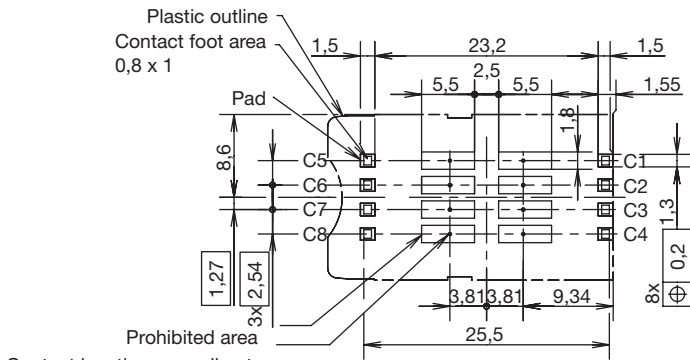
www.ckswitches.com

CCM03 MK2 Series

CCM03-3011 LFT



RECOMMENDED PC BOARD LAYOUT (Component side)



Contact location according to
ENV1375-1 & GSM11-11



18 Mar 22



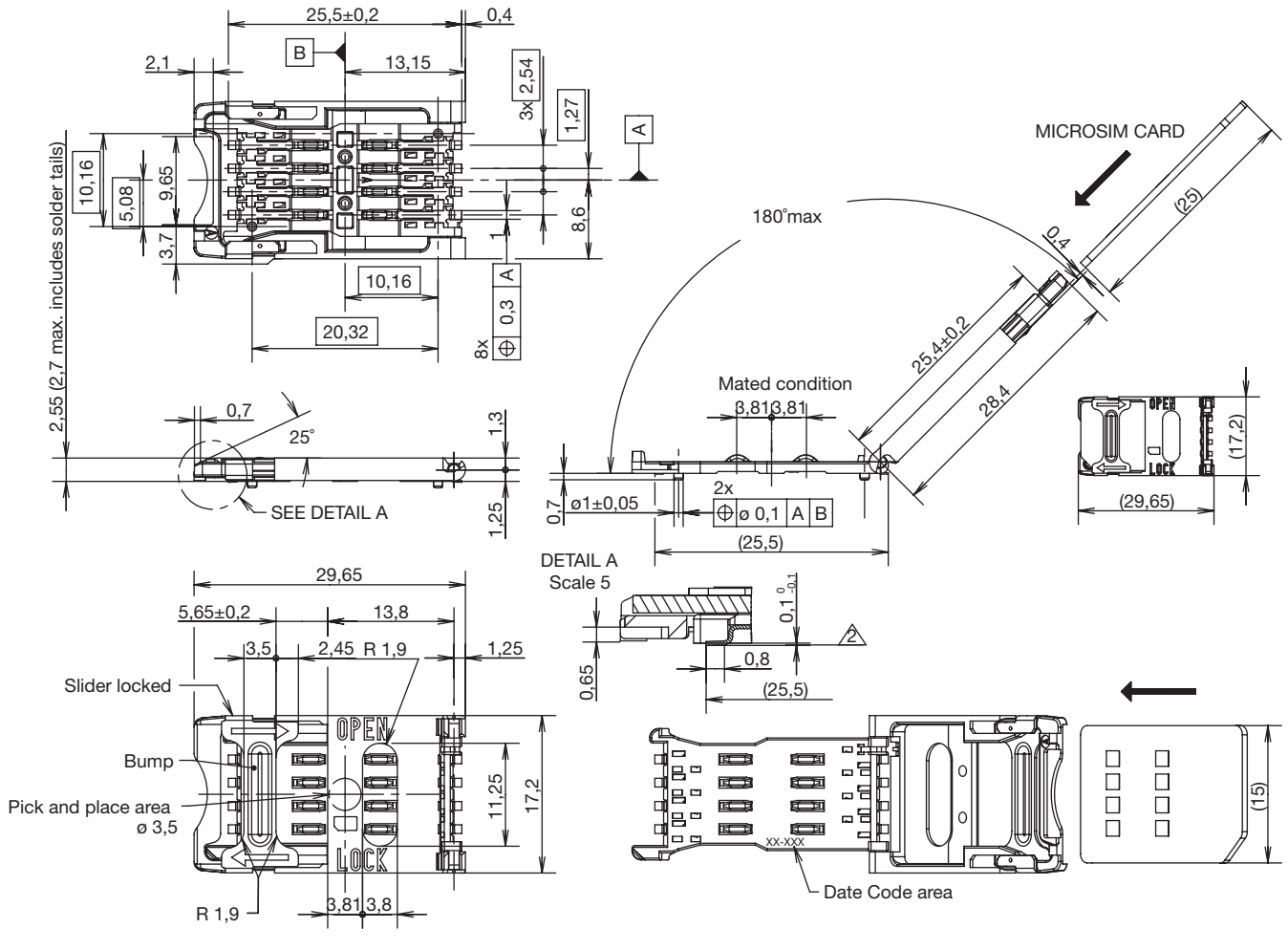
Dimensions are shown in mm
Specifications and dimensions subject to change

www.ckswitches.com

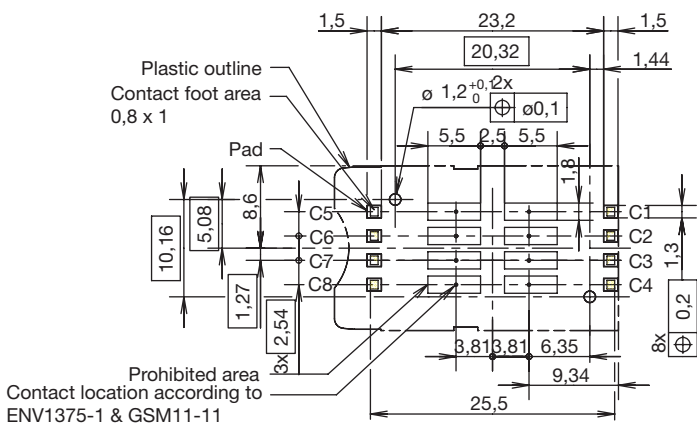
CCM03 MK2 Series

CCM03-3012 LFT

SIM/SAM



RECOMMENDED PC BOARD LAYOUT
(Component side)



Dimensions are shown in mm
Specifications and dimensions subject to change

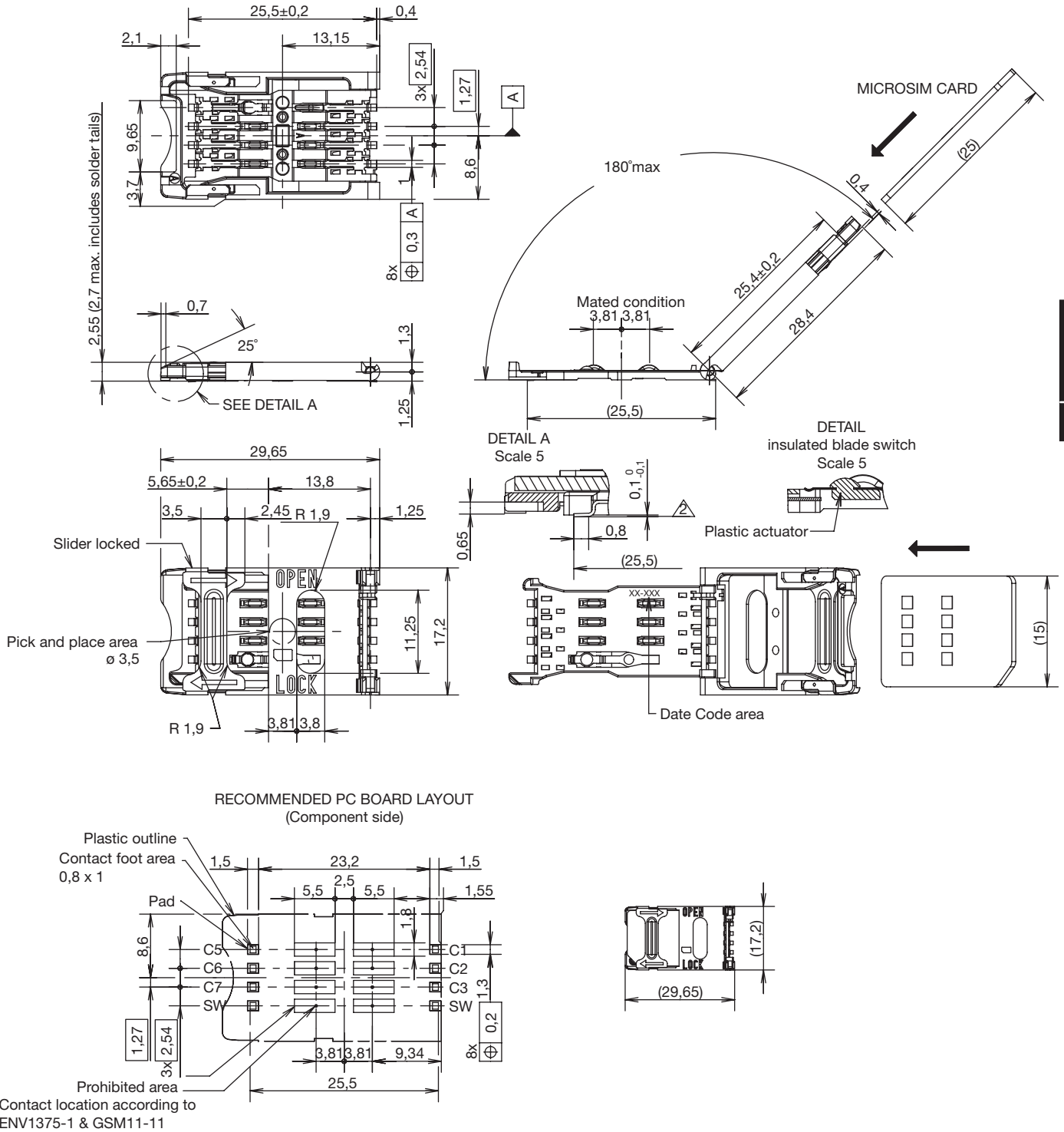
www.ckswitches.com



18 Mar 22

CCM03 MK2 Series

CCM03-3013 LFT



SIM/SAM



18 Mar 22



Dimensions are shown in mm
Specifications and dimensions subject to change

www.ckswitches.com

Mouser Electronics

Authorized Distributor

Click to View Pricing, Inventory, Delivery & Lifecycle Information:

C&K Aerospace:

[CCM033505LFTR122](#) [CCM033003LFTR102](#) [CCM033009LFTR102](#) [CCM033001LFTR102](#) [CCM033754LFTR102](#)
[CCM033010LFTR102](#) [CCM033004LFTR102](#)

C&K Switches:

[CCM03-3001LFT R102](#) [CCM033011LFTR102](#) [CCM033002LFTR102](#) [CCM033013LFTR102](#)