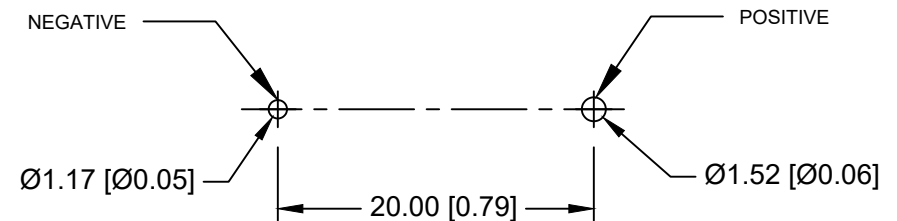
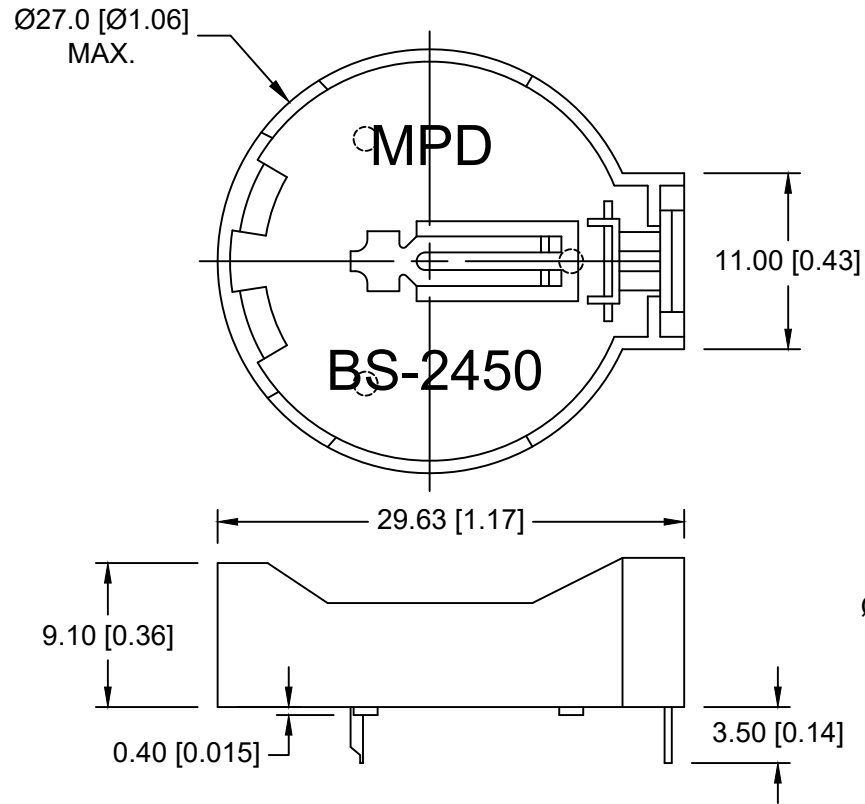


| Date     | SYM | REVISION RECORD   | AUTH | DR.  | CK. |
|----------|-----|---|------|------|-----|
| 05/08/20 | K   | REDRAWN IN AUTOCAD<br>DIM. 27.0 WAS 26.92<br>DIM. 9.10 WAS 9.14<br>DIM. 29.63 WAS 29.46 | T.B. | B.S. |     |
|          |     |   |      |      |     |
|          |     |   |      |      |     |
|          |     |   |      |      |     |



PCB LAYOUT

NOTES:

Material:

Housing: FR-Nylon with 15% glass filled, UL94v-0, UL file No. E176060(S)

Contact: Phosphor Bronze, Nickel plated overall

Application for 3V Lithium Battery:

Insulator Resistance: 5000mΩ Max.


Operating Temperature: -55°C to +105°C

Durability: 50 Cycles Min.

Contact Resistance: 30mΩ Max.

Approximate weight: 2.12g

ROHS COMPLIANT

|                                |   |                           |                                   |
|--------------------------------|---|---------------------------|-----------------------------------|
| Tolerance<br>(Except as noted) |  <b>Memory Protection Devices, Inc</b><br>200 Broad Hollow Road, Farmingdale, New York 11735 |                           |                                   |
|                                | decimal<br>±.5 (.020)   | Scale                     | Drawn By B.S.<br>Approved By T.B. |
| Fractional<br>± .8 (.030)      | Title<br>BATTERY HOLDER FOR CR2450  |                           |                                   |
| Angular<br>± 3°                | Date<br>05/08/20  | Drawing Number<br>BS-2450 |                                   |