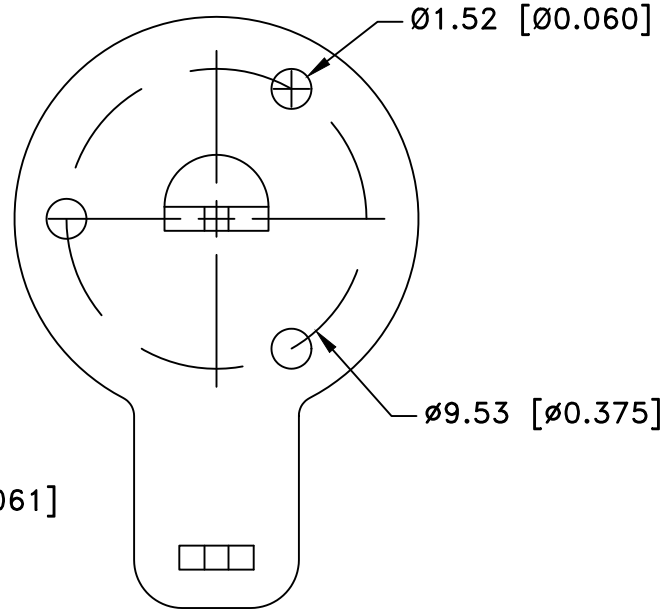
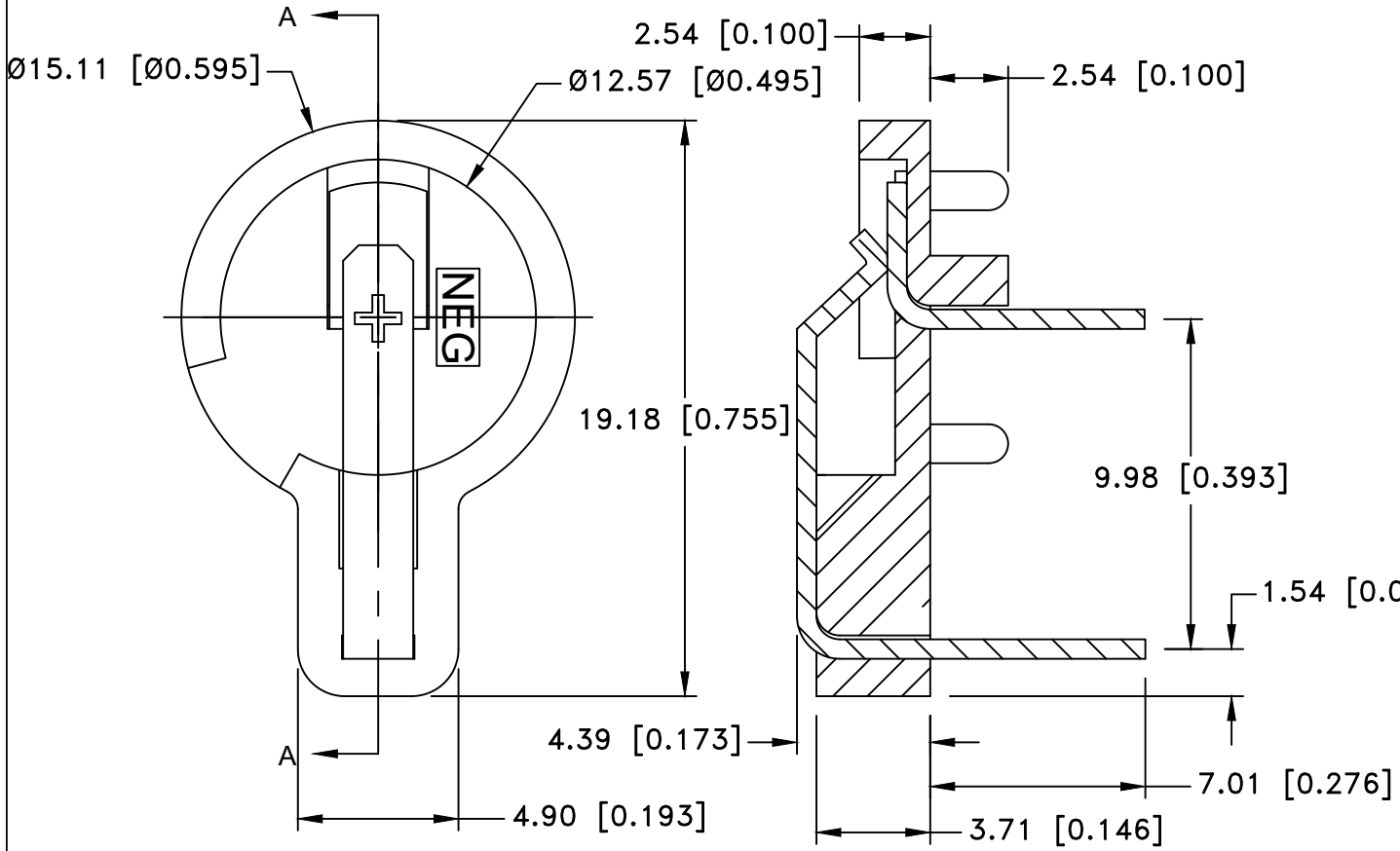



Date	SYM	REVISION RECORD	AUTH	DR.	CK.
12/06/13	F	Updated Positive contact cross section view to mach part	T.B.	B.S.	
10/31/19	G	Added weight of the part	T.B.	B.S.	



NOTES:
 MATERIAL:
 HOLDER: PBT POLYESTER, BLACK, UL94V-0
 POS. CONT.: PHOSPHOR BRONZE, SPRING TEMPER, NICKEL PLATED.
 NEG. CONT.: PHOSPHOR BRONZE, SPRING TEMPER, NICKEL PLATED.
 APPROXIMATE WEIGHT: 1.14g
 ROHS COMPLIANT

Tolerance (Except as noted)	 Memory Protection Devices, Inc 200 Broad Hollow Road, Farmingdale, New York 11735	Scale	Drawn By B.S.
			Approved By T.B.
decimal $\pm .5$ (.020)	Title COIN CELL HOLDER		
Fractional $\pm .8$ (.030)	Date 10/31/19	Drawing Number BH501	
Angular $\pm 3^\circ$			