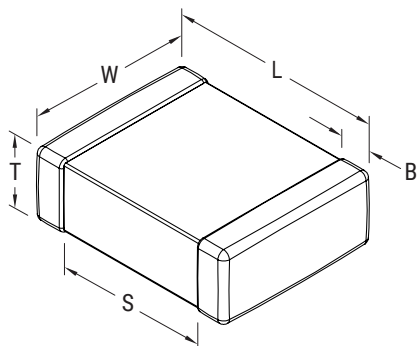


## Sample Kit Contents

KEMET Part Number	Case Size	Capacitance	Cap Tolerance	Rated Voltage	T Thickness	Dielectric	Quantity
	EIA/Metric		%	VDC	mm		
C1206C100J2GACTU	1206/3216	10 pF	±5	200	0.78 ±0.10	C0G	50
C1206C220F2GACTU	1206/3216	22 pF	±1	200	0.78 ±0.10	C0G	50
C1206C330F2GACTU	1206/3216	33 pF	±1	200	0.78 ±0.10	C0G	50
C1206C470F2GACTU	1206/3216	47 pF	±1	200	0.78 ±0.10	C0G	50
C1206C101J1GACTU	1206/3216	100 pF	±5	100	0.78 ±0.10	C0G	50
C1206C221J1GACTU	1206/3216	220 pF	±5	100	0.78 ±0.10	C0G	50
C1206C471J1GACTU	1206/3216	470 pF	±5	100	0.78 ±0.10	C0G	50
C1206C102J1GACTU	1206/3216	1000 pF	±5	100	0.78 ±0.10	C0G	50
C1206C222K1GACTU	1206/3216	2200 pF	±10	100	1.10 ±0.10	C0G	50
C1206C472K5GACTU	1206/3216	4700 pF	±10	50	0.90 ±0.10	C0G	50
C1206C222K2RACTU	1206/3216	2200 pF	±10	200	0.78 ±0.10	X7R	50
C1206C104K5RACTU	1206/3216	0.1 µF	±10	50	0.78 ±0.10	X7R	50
C1206C154K5RACTU	1206/3216	0.15 µF	±10	50	0.90 ±0.10	X7R	50
C1206C224K5RACTU	1206/3216	0.22 µF	±10	50	0.90 ±0.10	X7R	50
C1206C334K5RACTU	1206/3216	0.33 µF	±10	50	0.90 ±0.10	X7R	50
C1206C474K3RACTU	1206/3216	0.47 µF	±10	25	0.90 ±0.10	X7R	50
C1206C105K3RACTU	1206/3216	1 µF	±10	25	1.60 ±0.20	X7R	50
C1206C225K5RACTU	1206/3216	2.2 µF	±10	50	1.60 ±0.20	X7R	50
C1206C106K4RACTU	1206/3216	10 µF	±10	16	1.60 ±0.20	X7R	50
C1206C225K4PACTU	1206/3216	2.2 µF	±10	16	0.90 ±0.10	X5R	50
C1206C335K3PACTU	1206/3216	3.3 µF	±10	25	1.60 ±0.20	X5R	50
C1206C475K3PACTU	1206/3216	4.7 µF	±10	25	1.60 ±0.20	X5R	50
C1206C106K4PACTU	1206/3216	10 µF	±10	16	1.60 ±0.20	X5R	50

## Dimensions – Millimeters (Inches)



Case Size (in.)	Case Size (mm)	L Length	W Width	T Thickness	B Bandwidth	S Separation Minimum	Mounting Technique
1206	3216	3.20 (0.126) ±0.20 (0.008)	1.60 (0.063) ±0.20 (0.008)	See Table Above	0.50 (0.02) ±0.25 (0.010)	N/A	Solder Wave or Solder Reflow

## KEMET Electronics Corporation Sales Offices

For a complete list of our global sales offices, please visit [www.kemet.com/sales](http://www.kemet.com/sales).

---

### Disclaimer

YAGEO Corporation and its affiliates do not recommend the use of commercial or automotive grade products for high reliability applications or manned space flight.

All product specifications, statements, information and data (collectively, the "Information") in this datasheet are subject to change. The customer is responsible for checking and verifying the extent to which the Information contained in this publication is applicable to an order at the time the order is placed. All Information given herein is believed to be accurate and reliable, but it is presented without guarantee, warranty, or responsibility of any kind, expressed or implied.

Statements of suitability for certain applications are based on KEMET Electronics Corporation's ("KEMET") knowledge of typical operating conditions for such applications, but are not intended to constitute – and KEMET specifically disclaims – any warranty concerning suitability for a specific customer application or use. The Information is intended for use only by customers who have the requisite experience and capability to determine the correct products for their application. Any technical advice inferred from this Information or otherwise provided by KEMET with reference to the use of KEMET's products is given gratis, and KEMET assumes no obligation or liability for the advice given or results obtained.

Although KEMET designs and manufactures its products to the most stringent quality and safety standards, given the current state of the art, isolated component failures may still occur. Accordingly, customer applications which require a high degree of reliability or safety should employ suitable designs or other safeguards (such as installation of protective circuitry or redundancies) in order to ensure that the failure of an electrical component does not result in a risk of personal injury or property damage.

Although all product-related warnings, cautions and notes must be observed, the customer should not assume that all safety measures are indicated or that other measures may not be required.

*KEMET is a registered trademark of KEMET Electronics Corporation.*

# Mouser Electronics

Authorized Distributor

Click to View Pricing, Inventory, Delivery & Lifecycle Information:

[KEMET:](#)

[CER ENG KIT 31](#)