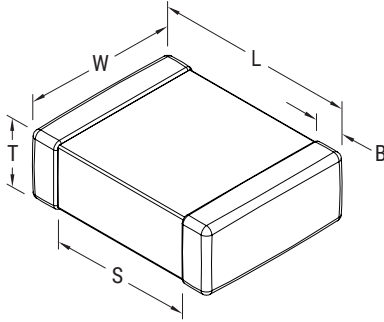


Sample Kit Contents

KEMET Part Number	Case Size	Capacitance	Cap Tolerance	Rated Voltage	T Thickness	Dielectric	Quantity
	EIA/Metric		%	VDC	mm		
C0805X101KDRACTU	0805/2012	100 pF	±10	1000	1.25 ±0.15	X7R	50
C0805C272KDRACTU	0805/2012	272 pF	±10	1000	1.25 ±0.15	X7R	50
C0805C102KDRACTU	0805/2012	1000 pF	±10	1000	1.25 ±0.15	X7R	50
C0805X472KDRACTU	0805/2012	4700 pF	±10	1000	1.25 ±0.15	X7R	50
C0805X822KBRACTU	0805/2012	8200 pF	±10	630	1.25 ±0.15	X7R	50
C0805X123KCRACTU	0805/2012	12000 pF	±10	500	1.25 ±0.15	X7R	50
C1206C102KGRACTU	1206/3216	1000 pF	±10	2000	1.60 ±0.15	X7R	50
C1206C472KDRACTU	1206/3216	4700 pF	±10	1000	1.20 ±0.15	X7R	50
C1206C682KFRACTU	1206/3216	6800 pF	±10	1500	1.20 ±0.15	X7R	50
C1206X103KFRACTU	1206/3216	10000 pF	±10	1500	1.60 ±0.15	X7R	50
C1206C333KBRACTU	1206/3216	33000 pF	±10	630	1.70 ±0.20	X7R	50
C1206X683KCRACTU	1206/3216	68000 pF	±10	500	1.70 ±0.20	X7R	50
C1210C682KGRACTU	1210/3225	6800 pF	±10	2000	2.50 ±0.30	X7R	50
C1210X393KFRACTU	1210/3225	39000 pF	±10	1500	2.50 ±0.30	X7R	50
C1808C102KHRACTU	1808/4520	1000 pF	±10	3000	2.00 ±0.15	X7R	50
C1808X472KGRACTU	1808/4520	4700 pF	±10	2000	2.00 ±0.15	X7R	50
C1812C103KGRACTU	1812/4532	10000 pF	±10	2000	2.50 ±0.20	X7R	25
C1812X334KCRACTU	1812/4532	0.33 µF	±10	500	2.10 ±0.20	X7R	25
C1825X153KGRACTU	1825/4564	15000 pF	±10	2000	2.50 ±0.20	X7R	25
C1825C104KDRACTU	1825/4564	0.10 µF	±10	1000	2.50 ±0.20	X7R	25
C2220C103KHRACTU	2220/5650	10000 pF	±10	3000	2.00 ±0.20	X7R	25
C2220X104KDRACTU	2220/5650	0.10 µF	±10	1000	2.50 ±0.20	X7R	25
C2225C273KGRACTU	2225/5664	27000 pF	±10	2000	2.50 ±0.20	X7R	25
C2225X154KDRACTU	2225/5664	0.15 µF	±10	1000	2.50 ±0.20	X7R	25

Dimensions – Millimeters (Inches)



Case Size (in.)	Case Size (mm)	L Length	W Width	T Thickness	B Bandwidth	S Separation Minimum	Mounting Technique
0805	2012	2.00 (0.079) ±0.20 (0.008)	1.25 (0.049) ±0.20 (0.008)	See Table Above	0.50 (0.02) ±0.25 (0.010)	0.75 (0.030)	Solder Wave or Solder Reflow
1206	3216	3.20 (0.126) ±0.20 (0.008)	1.60 (0.063) ±0.20 (0.008)		0.50 (0.02) ±0.25 (0.010)	N/A	
1210	3225	3.20 (0.126) ±0.20 (0.008)	2.50 (0.098) ±0.20 (0.008)		0.50 (0.02) ±0.25 (0.010)		Solder Reflow Only
1808	4520	4.70 (0.185) ±0.50 (0.020)	2.00 (0.079) ±0.20 (0.008)		0.60 (0.024) ±0.35 (0.014)		
1812	4532	4.50 (0.177) ±0.30 (0.012)	3.20 (0.126) ±0.30 (0.012)		0.60 (0.024) ±0.35 (0.014)		
1825	4564	4.50 (0.177) ±0.30 (0.012)	6.40 (0.252) ±0.40 (0.016)		0.60 (0.024) ±0.35 (0.014)		
2220	5650	5.70 (0.224) ±0.40 (0.016)	5.00 (0.197) ±0.40 (0.016)		0.60 (0.024) ±0.35 (0.014)		
2225	5664	5.60 (0.220) ±0.40 (0.016)	6.40 (0.248) ±0.40 (0.016)		0.60 (0.024) ±0.35 (0.014)		

KEMET Electronics Corporation Sales Offices

For a complete list of our global sales offices, please visit www.kemet.com/sales.

Disclaimer

YAGEO Corporation and its affiliates do not recommend the use of commercial or automotive grade products for high reliability applications or manned space flight.

All product specifications, statements, information and data (collectively, the "Information") in this datasheet are subject to change. The customer is responsible for checking and verifying the extent to which the Information contained in this publication is applicable to an order at the time the order is placed. All Information given herein is believed to be accurate and reliable, but it is presented without guarantee, warranty, or responsibility of any kind, expressed or implied.

Statements of suitability for certain applications are based on KEMET Electronics Corporation's ("KEMET") knowledge of typical operating conditions for such applications, but are not intended to constitute – and KEMET specifically disclaims – any warranty concerning suitability for a specific customer application or use. The Information is intended for use only by customers who have the requisite experience and capability to determine the correct products for their application. Any technical advice inferred from this Information or otherwise provided by KEMET with reference to the use of KEMET's products is given gratis, and KEMET assumes no obligation or liability for the advice given or results obtained.

Although KEMET designs and manufactures its products to the most stringent quality and safety standards, given the current state of the art, isolated component failures may still occur. Accordingly, customer applications which require a high degree of reliability or safety should employ suitable designs or other safeguards (such as installation of protective circuitry or redundancies) in order to ensure that the failure of an electrical component does not result in a risk of personal injury or property damage.

Although all product-related warnings, cautions and notes must be observed, the customer should not assume that all safety measures are indicated or that other measures may not be required.

KEMET is a registered trademark of KEMET Electronics Corporation.

Mouser Electronics

Authorized Distributor

Click to View Pricing, Inventory, Delivery & Lifecycle Information:

[KEMET:](#)

[CER ENG KIT 26](#)