

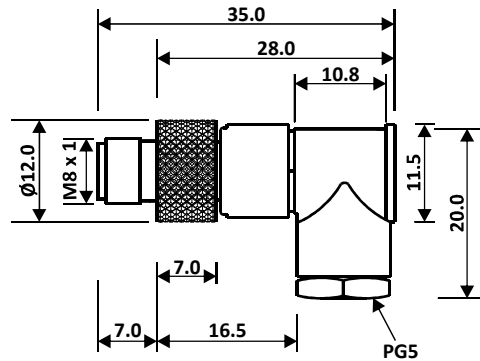


ENGLISH

Datasheet

Stock No. 1863088

RS PRO Connector Assembly



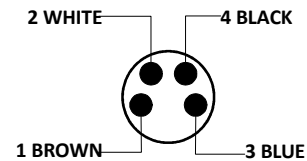
M08 Male Right Angle

General Specification

Rated Operational Voltage	30 V
Current Rating	4A
Insulation Resistance	$\geq 100 \text{ M}\Omega$
Temperature Range	-25°C ... +75°C
Degree of Protection	IP67

All dimensions are in mm.

Pin Diagram



Material Specification

Grip Material	Nylon 66
Contact	Cu-Zn
Contact Plating	Gold Plated
Contact Carrier	Nylon 66
O-Ring	Neoprene
Grip Colour	Black
Termination	Solderable Pin Type
Pole	4
Cable Gland	PG5
Coupling Nut	Brass Nickel-plated

Specifications are subject to change without notice.



Type Approved
Safety
Regular Production
Surveillance

www.tuv.com
ID: 1111210482

