

## IE-FCM-RJ45-FJ-B

**Weidmüller Interface GmbH & Co. KG**  
Klingenbergstraße 26  
D-32758 Detmold  
Germany

[www.weidmueller.com](http://www.weidmueller.com)



Service interface FrontCom<sup>®</sup> Micro with RJ45 in IP65

### General ordering data

|            |                                      |
|------------|--------------------------------------|
| Version    | FrontCom Micro RJ45 module, TIA-568A |
| Order No.  | <a href="#">1018820000</a>           |
| Type       | IE-FCM-RJ45-FJ-B                     |
| GTIN (EAN) | 4032248730070                        |
| Qty.       | 10 pc(s).                            |

Creation date December 19, 2022 7:23:42 AM CET

Catalogue status 02.12.2022 / We reserve the right to make technical changes.

## IE-FCM-RJ45-FJ-B

Weidmüller Interface GmbH &amp; Co. KG

Klingenbergstraße 26

D-32758 Detmold

Germany

www.weidmueller.com

## Technical data

## Dimensions and weights

|                      |      |                      |      |
|----------------------|------|----------------------|------|
| Wall thickness, min. | 1 mm | Wall thickness, max. | 3 mm |
| Net weight           | 40 g |                      |      |

## Temperatures

|                       |                |
|-----------------------|----------------|
| Operating temperature | -40 °C...70 °C |
|-----------------------|----------------|

## General data

|                               |  |  |                            |
|-------------------------------|--|--|----------------------------|
| Tightening torque fixing nut  | 2 Nm   | Connection 1                                       | RJ45                       |
| Connection 2                  | IDC  | Description of article                             | FrontCom Micro RJ45 module |
| Wiring                        | TIA-568A   | Colour   | black                      |
| Housing main material         | PA UL 94 V0  | Insulation cross-section, max.                     | 1.6 mm                     |
| Category                      | Cat.6 <sub>A</sub> / Class E <sub>A</sub> (ISO/IEC 11801 2010) | Contact surface                                    | Gold over nickel           |
| Connection diameter, solid    | 0.4...0.64   | Conductor connection cross-section, solid (AWG)    | AWG 24...AWG 22            |
| Connection diameter, flexible | 0.48...0.76 mm   | Conductor connection cross-section, flexible (AWG) | AWG 26...AWG 22            |
| Sheath diameter, min.         | 5.5 mm   | Sheath diameter, max.                              | 10 mm                      |
| Type of mounting              | Cabinet, Distribution box                                      | Shielding  | 360° shield contact        |
| Protection degree             | IP65, in closed state  | Plugging cycles                                    | 750                        |

## Electrical properties

|            |                            |
|------------|----------------------------|
| PoE / PoE+ | conforming to IEEE 802.3af |
|------------|----------------------------|

## General standards

|                         |         |                    |                |
|-------------------------|---------|--------------------|----------------|
| Certificate no. (cULus) | E316369 | Connector standard | IEC 60603-7-51 |
|-------------------------|---------|--------------------|----------------|

## Classifications

|             |             |             |             |
|-------------|-------------|-------------|-------------|
| ETIM 6.0    | EC001031    | ETIM 7.0    | EC001031    |
| ETIM 8.0    | EC001031    | ECLASS 9.0  | 27-18-27-02 |
| ECLASS 9.1  | 27-18-27-90 | ECLASS 10.0 | 27-18-27-02 |
| ECLASS 11.0 | 27-18-27-02 | ECLASS 12.0 | 27-18-28-92 |

## Approvals

Approvals



|                         |            |
|-------------------------|------------|
| ROHS                    | Conform    |
| UL File Number Search   | UL Website |
| Certificate no. (cULus) | E316369    |

**IE-FCM-RJ45-FJ-B**

**Weidmüller Interface GmbH & Co. KG**  
Klingenbergstraße 26  
D-32758 Detmold  
Germany

[www.weidmueller.com](http://www.weidmueller.com)

**Technical data****Downloads**

---

|   |   |
|---|---|
| Approval/Certificate/Document of Conformity | <a href="#">DUXR.E316369</a>  |
| Engineering Data                            | <a href="#">CAD data – STEP</a>   |
| Engineering Data                            | <a href="#">WSCAD</a>   |
| User Documentation                          | <a href="#">MAN IE GUIDE DE</a><br><a href="#">MAN IE GUIDE EN</a><br><a href="#">Manual</a>                          |
| Catalogues                                  | <a href="#">Catalogues in PDF-format</a>  |
| Brochures                                   | <a href="#">FL FIELDWIRING EN</a><br><a href="#">PI PROFINET CABLING EN</a><br><a href="#">PI PROFINET CABLING EN</a> |

---

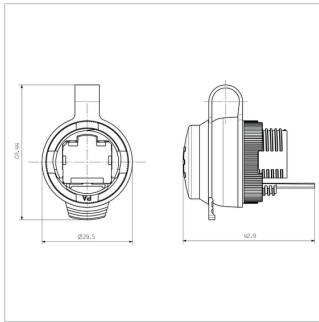
**IE-FCM-RJ45-FJ-B**

**Weidmüller Interface GmbH & Co. KG**  
Klingenbergstraße 26  
D-32758 Detmold  
Germany

[www.weidmueller.com](http://www.weidmueller.com)

**Drawings**

**Dimensioned drawing**



**Installation cut-out**

