

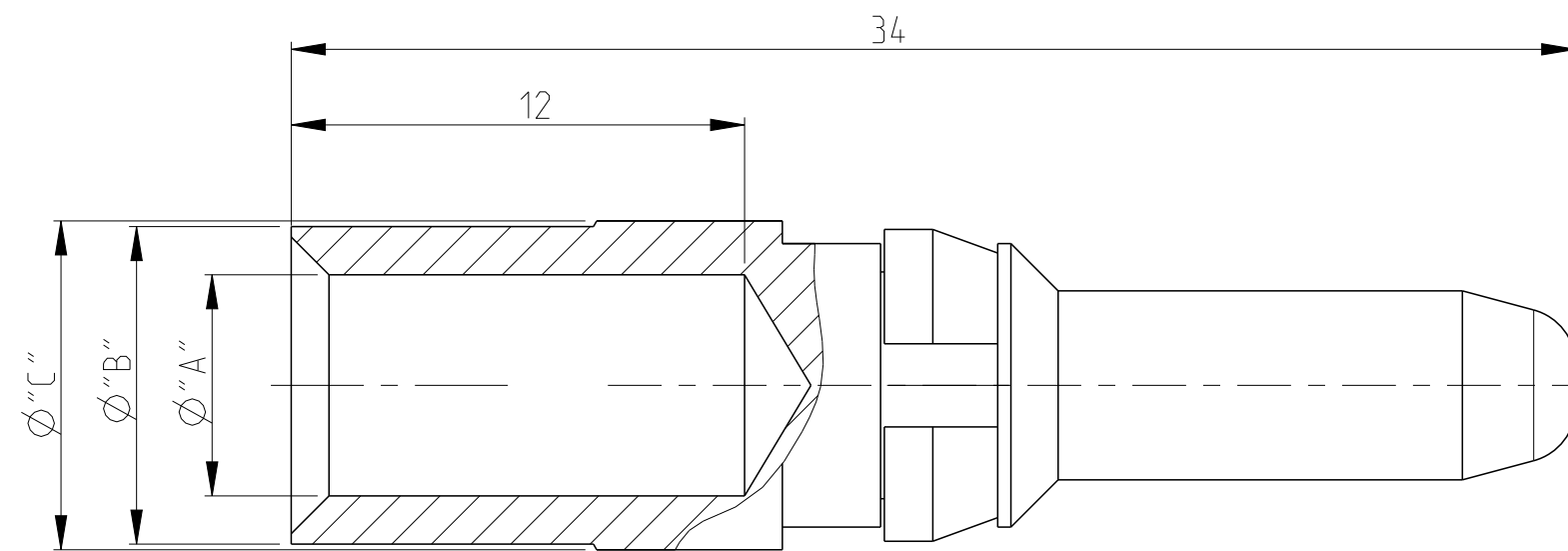
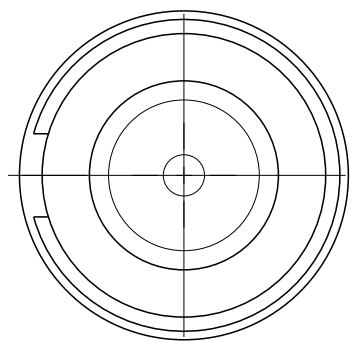
THIS DRAWING IS UNPUBLISHED. RELEASED FOR PUBLICATION
 © COPYRIGHT - ALL RIGHTS RESERVED.

LOC	DIST	REVISIONS					
		P	LTR	DESCRIPTION	DATE	DWN	APVD
B1	-	D3		REVISED PER ECO-11-005150	31MAR2011	RK	HMR
		D4		ECR-14-007793	26AUG2014	RK	MKO
		D5		REVISED PER ECR-16-016780	19AUG2017	NG	MKO

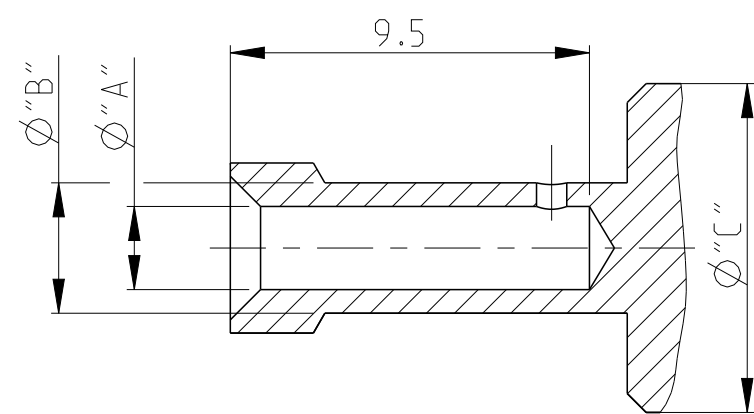
Notes

- 1 MATERIAL: BRASS
- 2 FINISH SILVER PLATING: 2µm Ag MIN. OVER Cu
- 3 FINISH GOLD PLATING: 0.75µm Au MIN. OVER Ni
- 4 WEIGHT (MAX.): 7.60 g, VOLUME (MAX.): 932mm³ (APPROX.)
- 5 SUITABLE SOCKET CONTACT: CUSTOMER DRAWING 1105151
- 6 SUITABLE INSERTS: SERIES HSS, CUSTOMER DRAWING
- 7 SUITABLE CRIMP TOOL: PN 1-1105850-8
- 8 SUITABLE INSERTION TOOL: -
- 9 SUITABLE EXTRACTION TOOL: PN 0-1102855-5
- 10 FINE WIRE DIA. MAX. Ø 4.5
- 11 PACKAGING:
25 PIECES IN A POLY-BAG
1 POLY-BAG IN A CARTON
- 12 PACKAGING:
1 PIECES LOOSE
- 13 STANDARDS: DIN EN 61984, DIN EN 60664-1

WIRE CROSS-SECTION:
 Ø6mm²- 16mm²



WIRE CROSS-SECTION:
 Ø2.5mm²/ 4mm²



OBSOLETE	HSS-C-Sti.Au.16.0 mm ²	HSS-C-Sti.Au.10.0 mm ²	HSS-C-Sti.Au.6.0 mm ²	HSS-C-Sti.Ag.25.0 mm ²	HSS-C-Sti.Ag.16.0 mm ²	HSS-C-Sti.Ag.10.0 mm ² -fine	HSS-C-Sti.Ag.10.0 mm ²	HSS-C-Sti.Ag.6.0 mm ²	HSS-C-Sti.Ag.4.0 mm ²	HSS-C-Sti.Ag.2.5 mm ²	GOLD	16.0	5.85	8.4	8.7	12	11	12
																	5-2	9-3
											SILVER	10.0	4.35	5.9	8.7	12	4-2	9-2
												6.0	3.5	4.9	8.7	12	3-2	9-1
												25.0	7	9.45	9.6	12	6-1	8-7
												16.0	5.85	8.4	8.7	12	5-1	8-6
												10.0	4.6	5.9	8.7	12	4-3	8-5
												10.0	4.35	5.9	8.7	12	4-1	8-4
												6.0	3.5	4.9	8.7	12	3-1	8-3
												4.0	2.8	3.9	8.7	12	2-1	8-2
												2.5	2.2	3.45	8.7	12	1-1	8-1
												[MM ²]	"A"	"B"	"C"	[MM]	PN	PN
	ORDERING TEXT		PLATING	CROSS SECTION	DIMENSIONS			STRIPPING-LENGTH	WITH CLIP									

PARTS LIST

THIS DRAWING IS A CONTROLLED DOCUMENT. DWN: K.SCHROEDER, APRIL 2008
 CHK: H.BRAUN
 APVD: T.SCHNURPFEIL

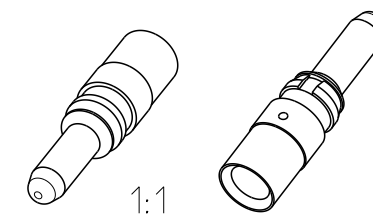
STE TE Connectivity

PIN CONTACT SERIES HSS

PRODUCT SPEC: 108-74016
 APPLICATION SPEC: 114-74028

SIZE: A2, CAGE CODE: 00779, DRAWING NO: 1105150, RESTRICTED TO: -

Customer Drawing, SCALE: 5:1, SHEET: 1 OF 1, REV: 05



Mouser Electronics

Authorized Distributor

Click to View Pricing, Inventory, Delivery & Lifecycle Information:

[TE Connectivity:](#)

[4-1105150-1](#)