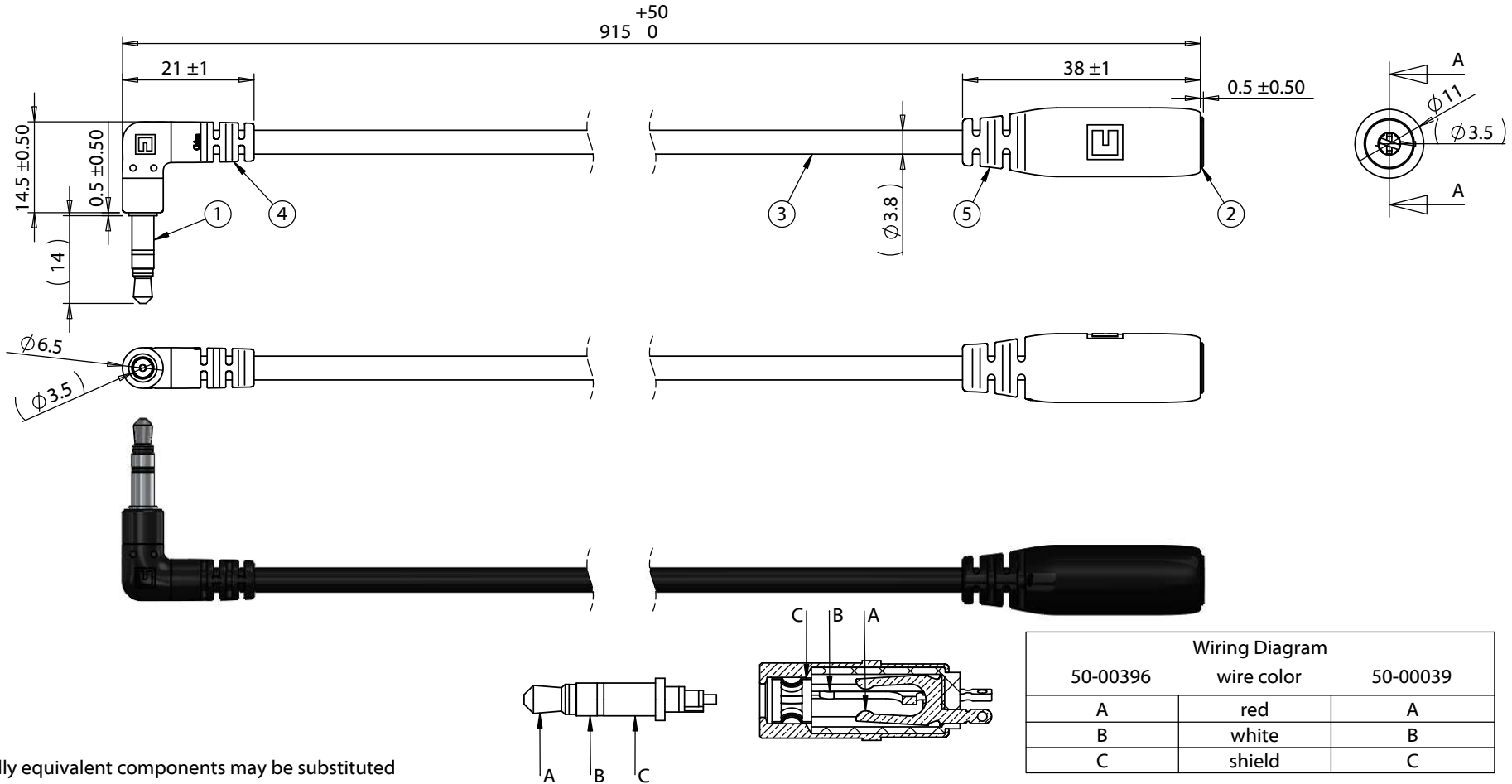


ITEM NO.	PART NUMBER	DESCRIPTION	QTY.	NOTES
1	50-00396	Connector, stereo plug, 3.5xL20.5 mm, brass, nickel plated, molding style	1	
2	50-00039	Connector, stereo jack, 3.5x8.0xL24.7 mm, brass, nickel plated, molding style	1	
3	30-00177	Wire, 2C BC, 28 AWG, 300V, 80C, 3.8 mm, foil + shield, PVC	1	
4	24-00085	Overmold, PVC	1	black
5	24-00036	Overmold, PVC	1	black



**Notes:**  
Functionally equivalent components may be substituted

Revision:	Date:	Description:	Prepared:	Notes:	TENSILITY	
A	2/19/2016	Initial release	DN <small>Digitally signed by DN Date: 2017.05.22 08:59:28 -07'00'</small>	RoHS compliant	tel 1.541.323.3228 800 877.670.7118 fax 1.541.323.4202 web tensility.com	
A1	7/15/2016	Modified collar exposure	Verified: GL <small>Digitally signed by GL Date: 2017.05.23 08:24:10 -07'00'</small>	Function test: no open, no short circuit, no intermittent	Size:	Part number:
A2	5/22/2017	Modified plug overmold	Dimensions are in millimeters. Tolerances: X: ± 0.5 mm X.X: ± 0.3 mm X.XX: ± 0.05 mm	Description: Cable, 915 mm, 3.5 mm 3C 90° 50-00396 audio plug to 3.5 mm 3C 50-00039 audio jack, 28 AWG, 30-00177	A	10-02138
					Scale: 1:1	Sheet 1 of 1