

PLEASE CHECK WWW.MOLEX.COM FOR LATEST PART INFORMATION

Part Number: [0887511310](#)
Status: **Active**
Overview: Serial ATA Connectors and Cable Assemblies
Description: 1.27mm Pitch Serial ATA Power Adapter, 0.152m Length, Crimping Type, Gold Flash, 5V+12V, Lead-Free

Documents:

[Drawing \(PDF\)](#) [RoHS Certificate of Compliance \(PDF\)](#)

General

Product Family	Cable Assemblies
Series	68587
Application	Power
Assembly Configuration	Dual Ended Connectors
Connector to Connector	Serial ATA-to-Serial ATA
Overview	Serial ATA Connectors and Cable Assemblies
Product Name	Serial ATA
UPC	756054241950

Physical

Cable Length	0.152m
Circuits (Loaded)	15
Color - Resin	Black
Gender	Male-Female
Lock to Mating Part	Yes
Material - Metal	Phosphor Bronze
Material - Plating Mating	Gold
Material - Plating Termination	Tin
Material - Resin	Polyester
Net Weight	11.150/g
Packaging Type	Bag
Pitch - Mating Interface	1.27mm
Plating min - Mating	0.051µm
Plating min - Termination	1.905µm
Single Ended	No
Termination Interface: Style	Crimp or Compression
Wire Insulation Diameter	N/A
Wire Size AWG	18
Wire/Cable Type	PVC

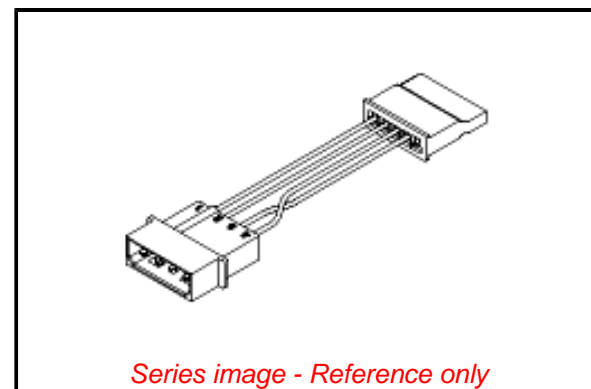
Electrical

Current - Maximum per Contact	1.5A
Impedance	100Ω
Shielded	No
Voltage - Maximum	40V

Material Info

Reference - Drawing Numbers

Sales Drawing	SD-88755-001
---------------	--------------



Series image - Reference only

EU ELV

Not Relevant

EU RoHS

Compliant

REACH SVHC

Not Contained Per -
ECHA_01_2020 (16
January 2020

Halogen-Free

Status

Not Low-Halogen

For more information, please visit [Contact US](#)

China ROHS

ELV

RoHS Phthalates

China RoHS

Green Image

Not Relevant

Not Contained

Search Parts in this Series

[68587 Series](#)