

4

3

2

1

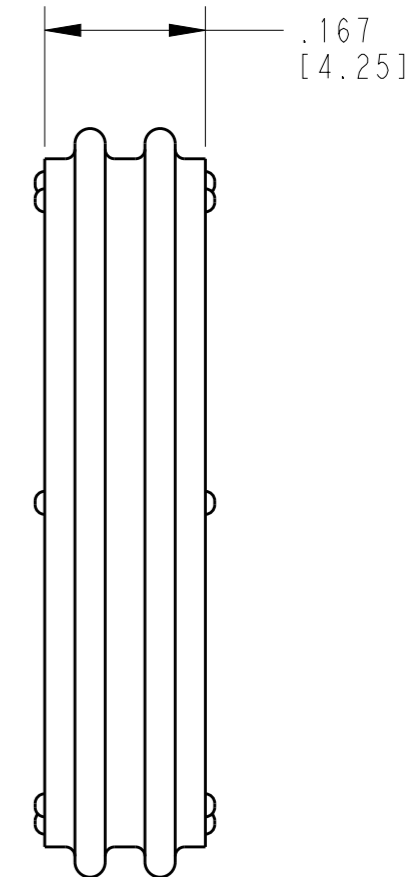
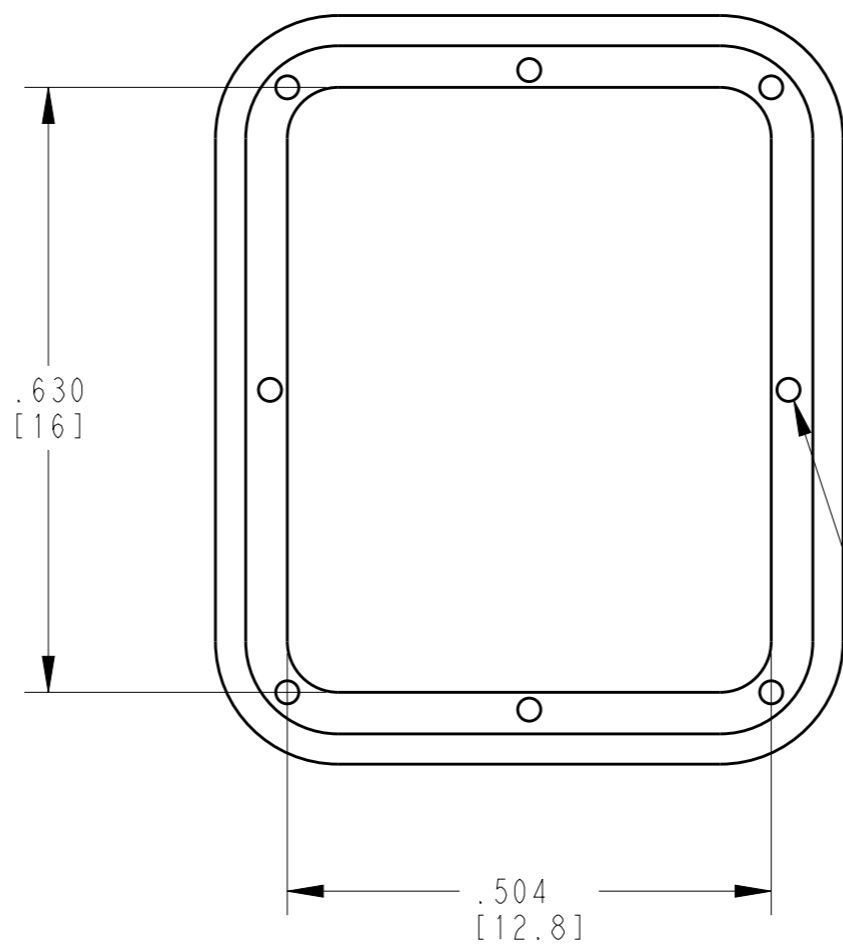
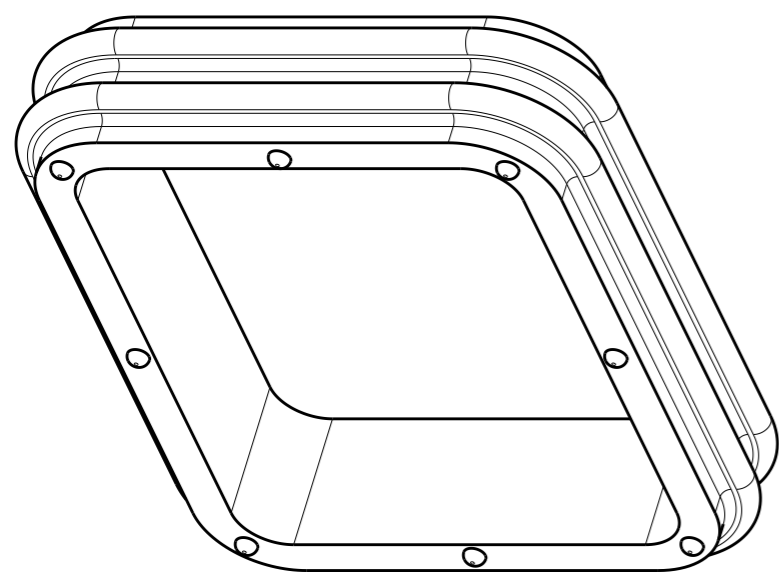
THIS DRAWING IS UNPUBLISHED  
© COPYRIGHT 1991 BY TE CONNECTIVITY ALL RIGHTS RESERVED.

RELEASED FOR PUBLICATION 2015

LOC DIST


REVISIONS

P	LTR	DESCRIPTION	DATE	DWN	APVD
	B	REVISED PER ECO-16-008493	21MAR2016	SH	DM
	C	REVISED PER PCN E-16-018032	09JAN2017	DD	DM



OPTIONAL FEATURE

TE INTERNAL PN	DEUTSCH PN
1010-007-0806	1010-007-0806

THIS DRAWING IS A CONTROLLED DOCUMENT.		DWN V. TOMSA 01NOV1991	 TE Connectivity	
DIMENSIONS: INCHES [mm]		CHK C. BUNKE 02JUN1992		
TOLERANCES UNLESS OTHERWISE SPECIFIED:		APVD J. ALBERS 04JUN1992	NAME SEAL, FRONT, STANDARD TYPE 8 CONTACT PLUG DT SERIES	
0 PLC ± 1 PLC ± 2 PLC ± 3 PLC ±.025 [0.64] 4 PLC ± ANGLES ±0°30'0"		PRODUCT SPEC N/A	SIZE A3	
MATERIAL 1		APPLICATION SPEC N/A	CAGE CODE 4AFU8	DRAWING NO 1010-007-0806
FINISH		WEIGHT 4.02g	RESTRICTED TO -	
		CUSTOMER DRAWING	SCALE 5:1	SHEET 1 OF 1
			REV C	

1 MATERIAL: SILICONE (BURNT-ORANGE)

NOTES: UNLESS OTHERWISE SPECIFIED

# Mouser Electronics

Authorized Distributor

Click to View Pricing, Inventory, Delivery & Lifecycle Information:

[TE Connectivity:](#)

[1010-007-0806](#)