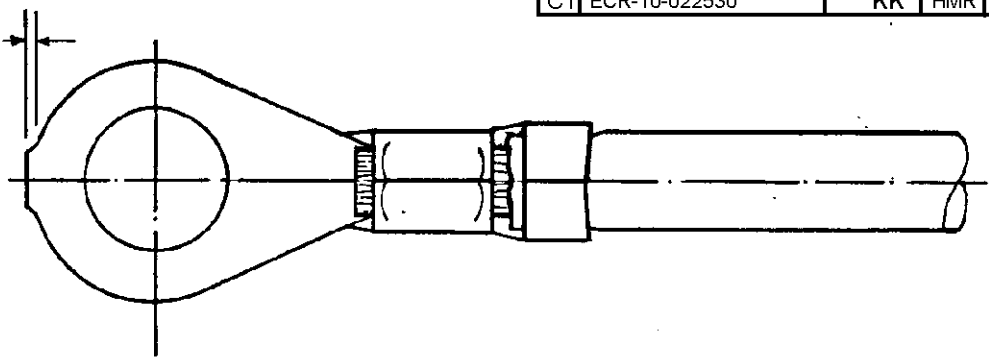


LTR.	REVISION RECORD	DR.	APP.	DATE
C1	ECR-10-022530	KK	HMR	03FEB11

NUMBER 160787

(.020) MAX
0,5

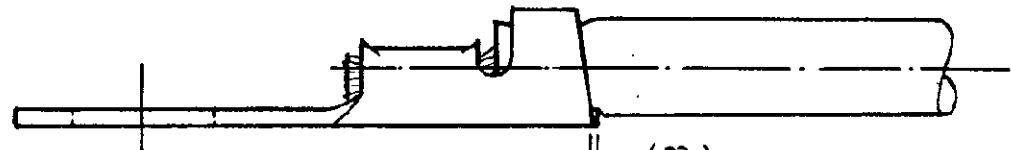


(.171 ± .005) DIA
4,3 ± 0,15 DIA

(.342)
8,7

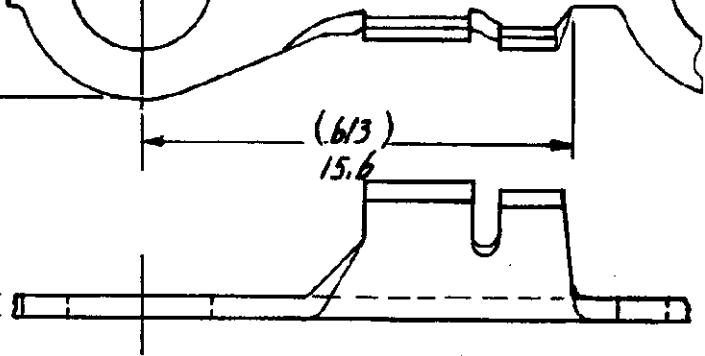
(.704)
17,9
(.305)
8,5

(.020) MAX
0,5



(.613)
15,6

(.024)
0,6



DOC. CENTRE
03 NOV. 1994

- ① REELED WITH PAPER AND WITH PAPERCOVER
- ② OBSOLETE

DIMENSIONS IN INCHES) DO NOT SCALE PRINT

CUSTOMER COPY FOR REFERENCE ONLY

©1979 BY TE - HOLLAND N.V. ALL RIGHTS RESERVED TE PRODUCTS COVERED BY PATENTS AND/OR PATENTS PENDING.



TE Connectivity

160787-2	BRASS	② H ①
160787-1	BRASS	+
ORDER NO.	MATERIAL	PLATING
DATE 5/12-79	DE	DATE
CHK	DATE	AF

WIRE RANGE 18 - 14 AWG 0,8 - 2,1 mm	INSUL. RANGE (.100 - .140) 2,54 - 3,56	FIRST USED
SCALE N.T.S.	LOC H	SIZE A
NO C-160787	REV C1	NAME RING TONGUE