

Product Information



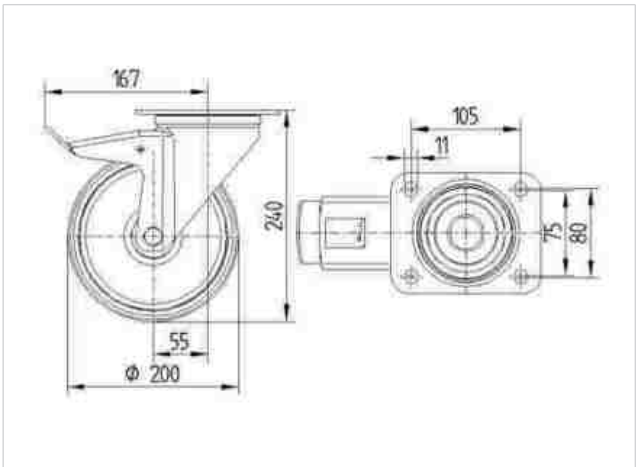
8477UOO200P63

EAN 4031582313130

Swivel castor with total lock, tail end of castor, housing made of Stainless Steel, double ball bearing swivel head, wheel axle with nut, plate fitting. Wheel centre made of Polyamide, plain bearing

Technical Data	
Wheel diameter	200 mm
Width of Tread	50 mm
Size of Plate	137 x 105 mm
Plate hole centres	105 x 80/75 mm
Plate hole	11 mm
Offset	55 mm
Swivel Interference	334 mm
Overall height	240 mm
Temperature	- 40 / + 80 °C
Standard	EN 12532
Weight	2.398 kg
Hardness of tread	D 75 Shore
Load capacity	500 kg
Load capacity (static)	1000 kg

Roll performance	+	+	+	+	+
Movement noise	+	+	+	+	+
Attrition	+	+	+	+	+
Corrosion resistance	+	+	+	+	+



Product Information



8477UOO200P63

EAN 4031582313130

