

# Product Information



## 3470UAR160P63 red

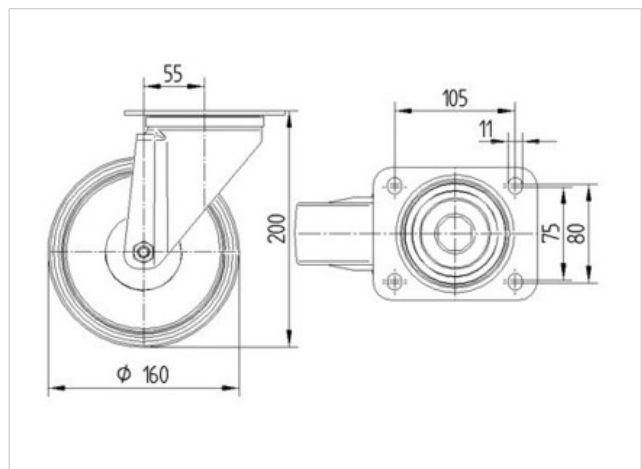
EAN 4031582304299

Swivel castor, housing made of pressed steel, bright zinc plated, blue passivated, double ball bearing swivel head, wheel axle with nut, dustguard, plate fitting.

Wheel centre made of Polyamide, Tread: Polyurethane, roller bearing



Technical Data	
Wheel diameter	160 mm
Width of Tread	40 mm
Size of Plate	137 x 105 mm
Plate hole centres	105 x 80/75 mm
Plate hole	11 mm
Offset	55 mm
Swivel Interference	270 mm
Overall height	200 mm
Temperature	- 40 / + 80 °C
Standard	EN 12532
Weight	2.008 kg
Swivel Radius	135 mm
Hardness of tread	D 60 Shore
Load capacity	350 kg
Load capacity (static)	700 kg



Roll performance	+	+	+	+	+
Movement noise	+	+	+	+	+
Attrition	+	+	+	+	+
Corrosion resistance	+	+	+	+	+



## 3470UAR160P63 red

EAN 4031582304299

