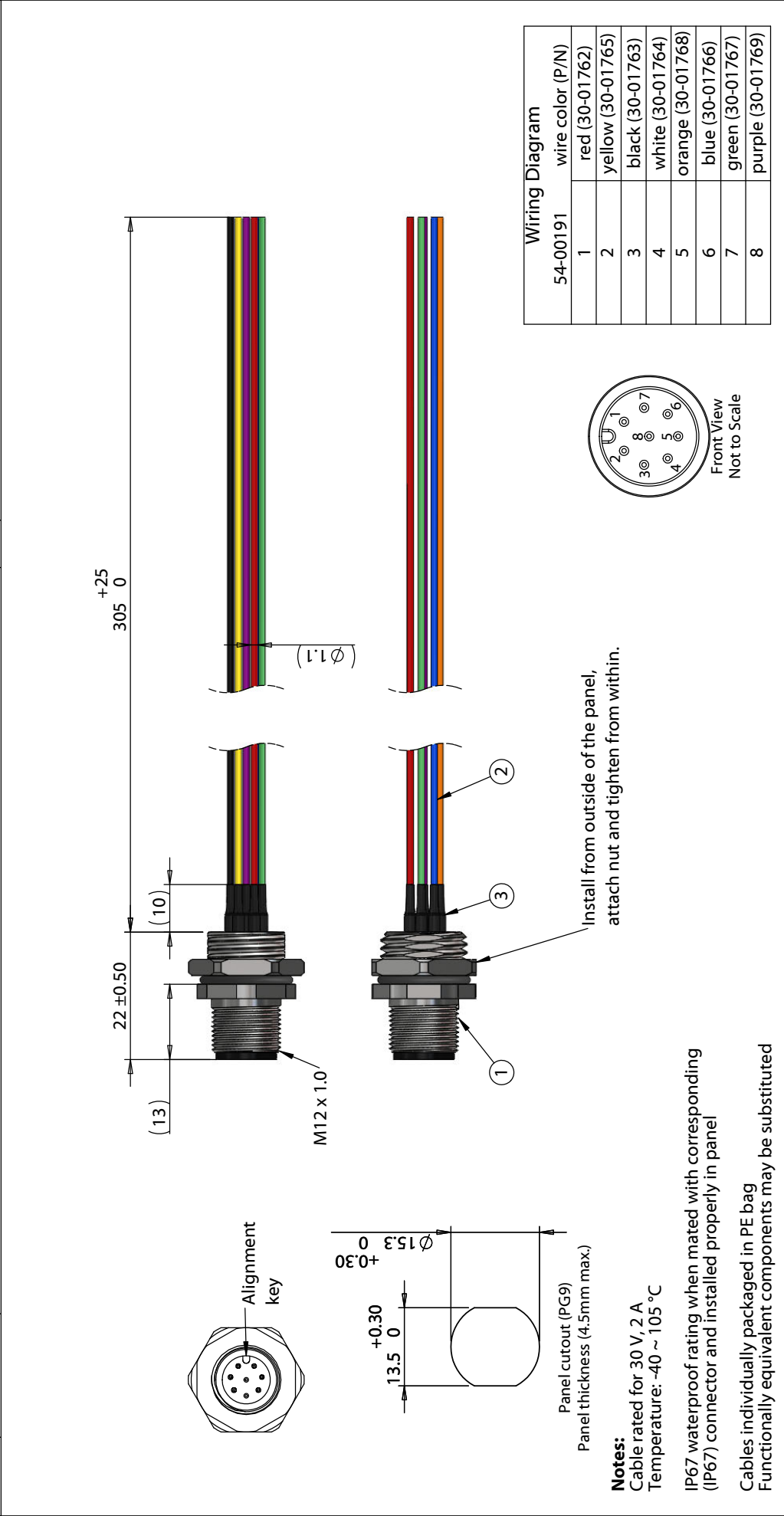


ITEM NO.	PART NUMBER	DESCRIPTION	QTY.	COMPONENT NOTES
1	54-00191	Connector, 8 pin M12 A-code plug, 12xL24mm, gold plated, panel mount, solder cup, IP67	1	nut and o-ring included
2	Wire	Wire, hook-up, TS, 24 AWG, UL 11028, 600V, 105C, 1.1 mm, mPPE	8	color: red, yellow, black, white, orange, blue, green, purple
3	Heat shrink	Heat shrink, UL, black	8	covers solder joints



Revision:	Date:	Description:	Prepared:	Notes:
A	4/19/2021	Initial release	RoHS compliant	Function test: no open, no short circuit, no intermittent
			Verified:	Description: Cable, 305 mm, M12 8C plug panel mount 54-00191 to blunt cut, 24 AWG, UL 11028 hook-up wire
			Dimensions are in millimeters.	
			Tolerances:	
			X: ± 0.5 mm	
			XX: ± 0.3 mm	
			XXX: ± 0.05 mm	
			Size:	Part number: 10-04035
			Scale: 1:1	Sheet 1 of 1

TENSILITY

tel 1.541.323.3228 800 877.670.7118
 fax 1.541.323.4202 web tensility.com