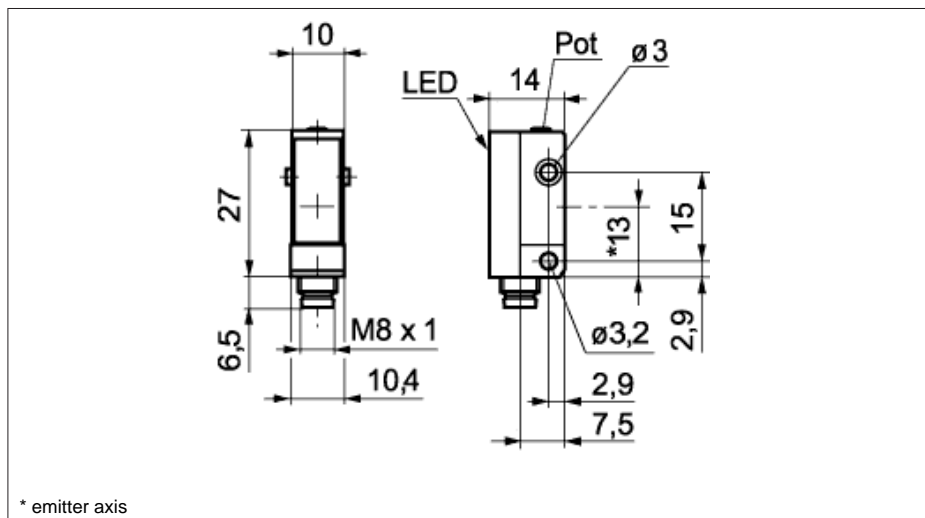


Diffuse sensors (Intensity difference), rectangular, plastic

FZDK 10P5101/S35A



Technical Data	
function	intensity difference
sensing distance Tw	5 - 200 mm
output	PNP
output switch state	light/dark operate
housing style	rectangular
width /diameter	10 mm
height	27 mm
depth	14 mm
housing material	plastic (ASA)
connection	connector
operating range	-
beam focal point	-
repeatability	-
min. detectable contrast	-
output indicator	yellow LED
alignment aid / soiled lens indicator	flashing LED
light source	pulsed red diode
wave length	660 nm
laser class	-
voltage supply range +Vs	10 - 30 V
supply voltage (AC/DC)	DC
supply current average/peak value	23 / 33 mA
switching current	< 100 mA
voltage drop	< 1,8 VDC
response time / release time	< 1 ms
sensitivity adjustable	Pot, 270°
short circuit protection	yes
reverse polarity protection	yes
temperature range	-25 ... +65 °C
protection class	IP 67
connectors	ES 8A, ES 9A, ESW 31A, ESG 32A

