

Zero2Go Omini

Wide Input Range, Multi-Channel Power supply for Raspberry Pi

User Manual (revision 1.02)

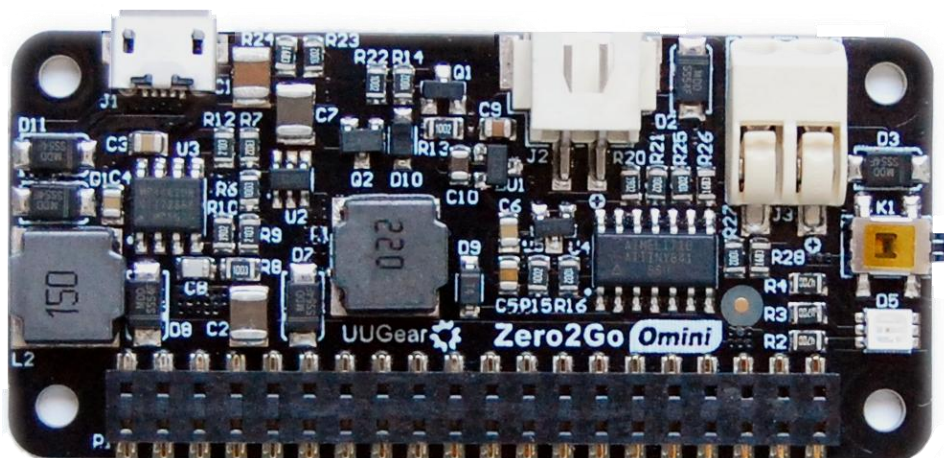


Table of Content

Product Overview	1
What is in the Package?	3
Zero2Go Omini Specifications	4
Software Installation	5
Software Update/Uninstallation.....	6
Mounting Zero2Go on Raspberry Pi Zero	7
Mounting Zero2Go on Other Raspberry Pi Models	8
Connecting Power Supplies.....	10
Software Usage	11
1. Set Default State	12
2. Set Blinking Interval	12
3. Set Power Cut Delay.....	12
4. Set Low Voltage Threshold.....	12
5. Set Recovery Voltage Threshold	13
6. Set Step-Down Engine Always-On	13
7. Exit.....	14
Ghost Voltage.....	14
Work as Uninterruptible Power Supply (UPS).....	15
Hardware Hackings	15
1. Interface with different Power Supplies	16
2. Change the Pin Used by Zero2Go Omini	17
3. Modify and Upload Firmware.....	18
Zero2Go Omini Log Files.....	20
Frequently Asked Questions (FAQ)	21
1. What I ² C Address is Used by Zero2Go Omini?	21
2. What I ² C Registers Are Provided by Zero2Go Omini?	21
3. What GPIO Pins Are Used by Zero2Go Omini?.....	24
4. Is Zero2Go Omini Compatible with “Other Hardware”?	25

5. How to Understand the Color of LED on Zero2Go Omini?	25
6. Will Zero2Go Omini Charge Battery?	26
Revision History.....	27

Product Overview

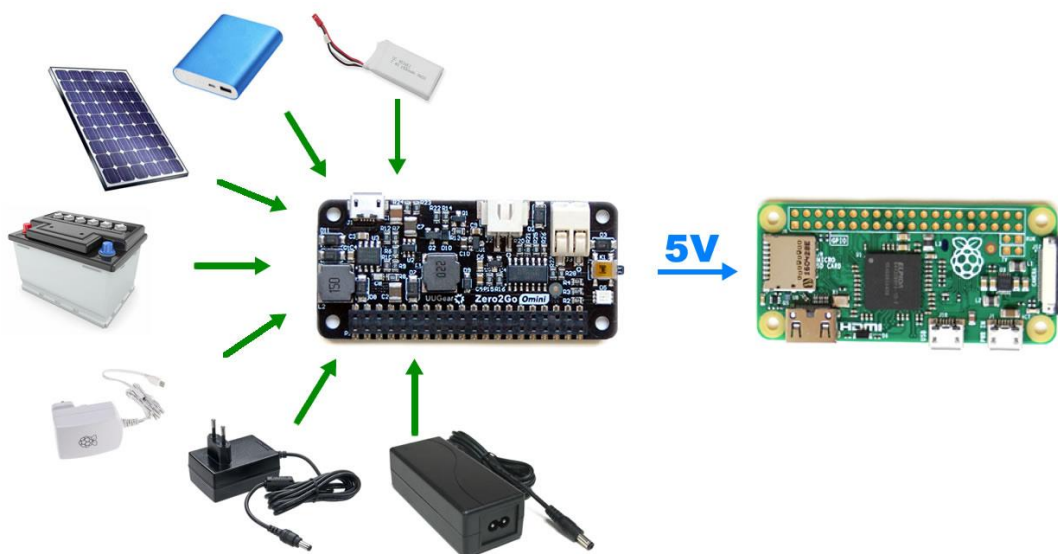
Zero2Go is a Raspberry Pi Zero sized (or pHAT shape) extension board that can work as wide input range power supply for Raspberry Pi. Zero2Go Omini is the second member in the Zero2Go family.

Zero2Go Omini supports all Raspberry Pi models that has the 40-pin GPIO header, including A+, B+, 2B, 3B, 3B+, Zero and Zero W.

The main features of Zero2Go Omini include:

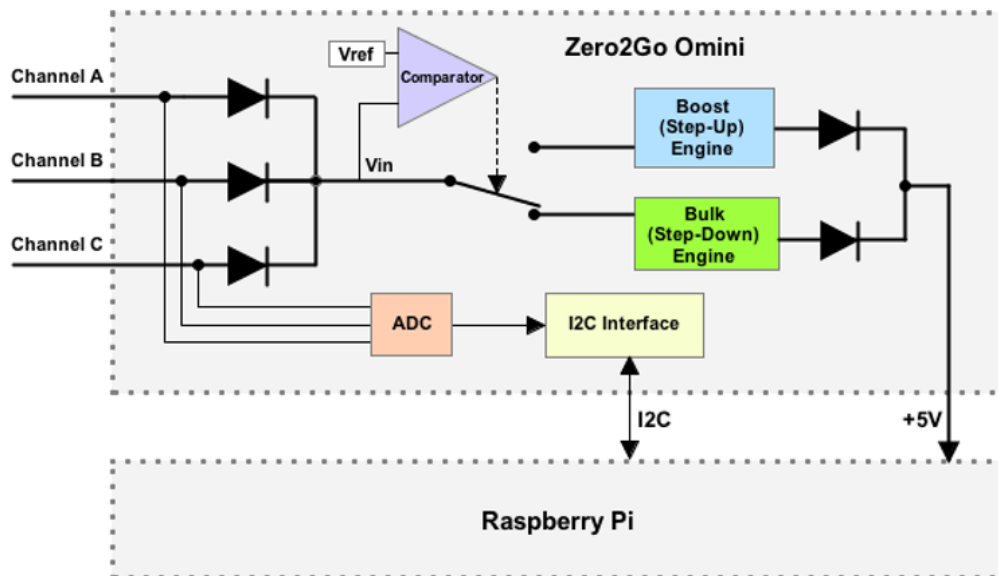
- Three separated input channels (each accepts 3.5~28V DC).
- Auto step-up or step-down to output 5V for powering Raspberry Pi.
- Auto switch input channel (one with highest voltage takes the priority).
- Gracefully turn on/off Raspberry Pi with single tap on the button.
- Fully cuts power for Raspberry Pi and all its USB peripherals after shutdown.
- Long hold the button to force power cut, when OS loses response.
- Monitor the input voltage on each channel (via software).
- Shutdown Raspberry Pi when input voltage below preset threshold.
- Recover Raspberry Pi when input voltage exceed preset threshold.

Zero2Go has quite wide input range (3.5V~28V), so it is convenient to power your Raspberry Pi with power bank, Li-Po battery pack, solar panel, car battery or different kinds of power adapters etc. You can also [configure it as a UPS](#).



The board size of Zero2Go is exactly the same with Raspberry Pi Zero (W), and can be mounted on Raspberry Pi Zero or other Raspberry Pi models that have 40-pin header.

How does it work? Please see below the simplified diagram. It demonstrates the main functionalities of Zero2Go Omini and can help you to understand how it works.

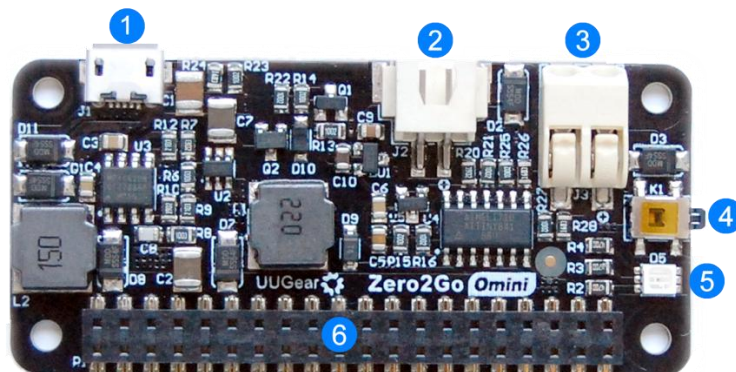


Three input channels (A, B and C) are merged as V_{in} with 3 schottky diodes. The comparator will compare V_{in} with an internal reference and decide whether to use step-up or step-down engine. When V_{in} is lower than 5.5V, the step-up engine will be used; When V_{in} is 5.5V or higher, the step-down engine will be used instead. The outputs of both engines are also merged with 2 schottky diodes.

The voltage on each input channel can be measured by ADC (analog-to-digital converter) and the result can be queried via I²C interface.

Zero2Go Omini also has built-in low-voltage protection, which can gracefully shutdown your Raspberry Pi when input voltage is too low. This feature can be enabled via Zero2Go Omini Console. Please read [Software Usage](#) chapter for more information.

The picture below shows how Zero2Go Omini looks like:

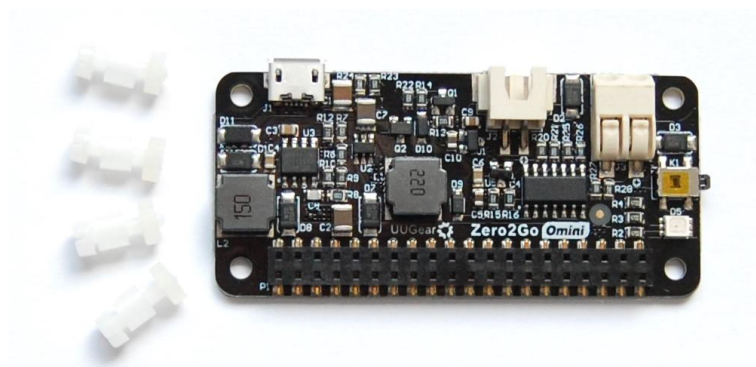


- 1) Micro USB connector for input channel A
- 2) XH2.54-2P connector for input channel B
- 3) Universal wire connector for input channel C.
- 4) Tact button to turn on/off Raspberry Pi.
- 5) Three-color LED (red, green, blue) as action indicator.
- 6) 2x20-pin header (connects to Raspberry Pi).

What is in the Package?

Each Zero2Go Omini package contains:

- Zero2Go Omini board x 1
- M2.5 x 10mm plastic screw x 4
- 4mm spacer x 4
- M2.5 plastic nut x 4



Zero2Go Omini Specifications

Dimension:	65mm x 30mm x 7.7mm
Weight	12g (net weight)
Mainly Used Chips	MCU: ATtiny841 (datasheet) DC-DC Bulk: MP4462 (datasheet) DC-DC Boost: SDB628 (datasheet)
LED Indicator	Three-color LED (red, green and blue)
Interface	Micro USB female connector for input channel A. XH2.54-2P connector for input channel B. Universal wire connector for input channel C. 20x2 header (h=2mm) for connecting Raspberry Pi.
Input	Three separated channels (A, B, and C) All accept DC 3.5V~28V (5.5~7.0V is not recommended as the DC-DC converter needs more dropout to work well)
Output	Output 5V ($\pm 5\%$), maximum 2A
Efficiency	Up to 87% @ Step-Up mode Up to 82% @ Step-Down mode
Standby Current	~0.13mA @ $V_{in}=3.5V$ ~0.36mA @ $V_{in}=12V$ ~0.87mA @ $V_{in}=28V$
Operating Temperature	-30°C~80°C (-22°F~176°F)
Storage Temperature	-40°C~85°C (-40°F~185°F)
Humidity	0~80%RH, no condensing

Software Installation

We strongly recommend to install the software before physically mount Zero2Go Omini on your Raspberry Pi.

You will need to have your Raspberry Pi connected to the Internet. The installation will be very simple if you run our installing script. The wiringPi utility is required by the software so the script will install it for you, if you haven't done so before.

First step is to run this command in your home directory:

```
pi@raspberrypi ~ $ wget http://www.uugear.com/repo/Zero2GoOmini/installZero2Go.sh
```

If your Raspberry Pi has internet connection, it will immediately download the script from our website, and you will then see the “installZero2Go.sh” script in your home directory. You can then run it with sudo:

```
pi@raspberrypi ~ $ sudo sh installZero2Go.sh
```

Please notice that **sudo is necessary to run this script**, because it will copy file to the /etc/init.d/ directory as well. This script will automatically do these tasks in sequence:

1. Enable I2C on your Raspberry Pi
2. Install i2c-tools, if it is not installed yet
3. Configure Bluetooth to use mini-UART
4. Install wiringPi, if it is not installed yet
5. Install Zero2Go programs, if they are not installed yet

You can also manually install these packages and make those configurations, if you prefer to. After the installation, please remember to **reboot your Raspberry Pi**.

You will see a new “zero2go” directory, and it contains 2 runnable files:

```
pi@raspberrypi ~ $ cd zer2go
pi@raspberrypi ~ /zero2go $ ls
daemon.sh  init.sh  utilities.sh  zero2go.sh
```


Although the **daemon.sh** is runnable, you should not run it manually. The installing script has registered it into `/etc/init.d` and it will run automatically after the boot.

The **zero2go.sh** is the software that allows you to monitor the working status of Zero2Go and make configuration interactively. Please see the “Software Usage” chapter for more information.

Now the software has been installed, and you will need to physically mount Zero2Go Omini on your Raspberry Pi.

Software Update/Uninstallation

If you want to update the software to newer version, you don't have to uninstall it first. Just remove or rename your “zero2go” directory and repeat the installing process, then you are all set.

```
pi@raspberrypi ~ $ mv zero2go zero2go.bak
pi@raspberrypi ~ $ wget http://www.uugear.com/repo/Zero2GoOmini/installZero2Go.sh
pi@raspberrypi ~ $ sudo sh installZero2Go.sh
```

If you prefer to completely remove the software, besides removing the “zero2go” directory, you should also remove the “`/etc/init.d/zero2go_daemon`” file. There are some dependencies (such as `wiringPi`, `i2c-tools` etc.), who are installed during the software installation. In the majority of cases you don't have to remove them, but if you wish, you can check the content of “`installZero2Go.sh`” script and do the reverse.

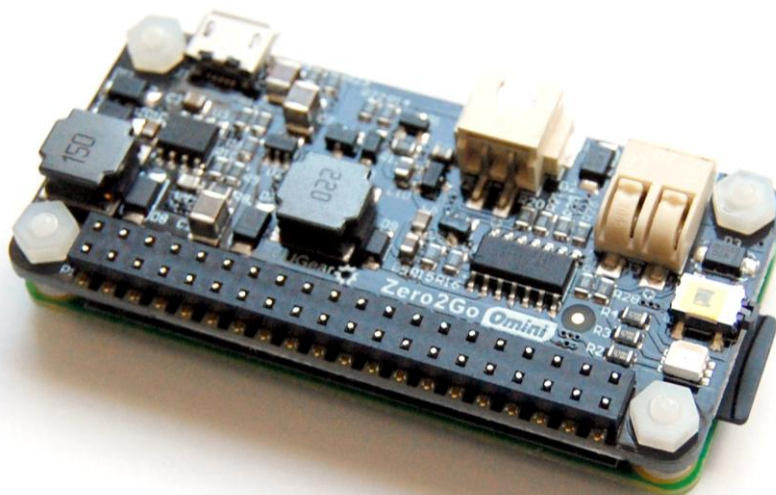
Mounting Zero2Go on Raspberry Pi Zero

If you want to use Zero2Go Omini on Raspberry Pi Zero (V1.2, V1.3 or W), you will need to solder the 20x2 pin male header (not included in the package) on it first, or you can buy one with the header pre-soldered.



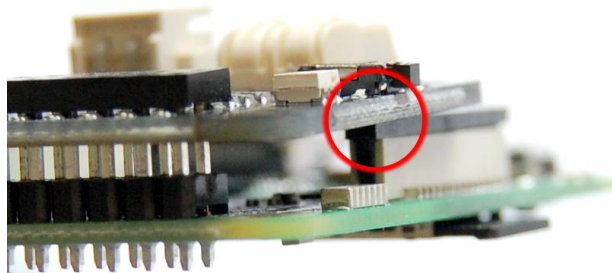
Header must be soldered on Raspberry Pi Zero (W)

You can simply mount Zero2Go Omini on your Raspberry P Zero's 40-pin header, and it can work immediately. However, if you wish, you can use the plastic screws, spacers and nuts (included in the package) to tightly mount Zero2Go Omini on your Raspberry Pi Zero. Please make sure NOT to put Zero2Go up side down, the 40 pins should connect to the female header via the holes **underneath**, as shown in figure below.

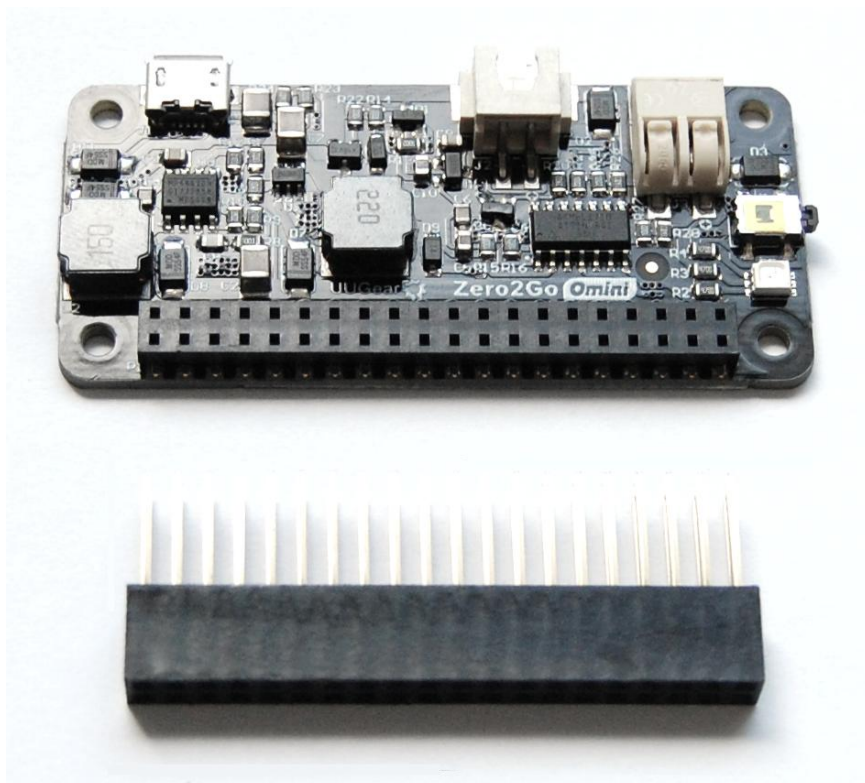


Mounting Zero2Go on Other Raspberry Pi Models

Other Raspberry Pi models (A+, B+, 2B and 3B) have the 40 pin header pre-soldered already, so it is possible to directly mount Zero2Go Omini over them. However, because of the existence of display connector, you may not be able to firmly connect them.

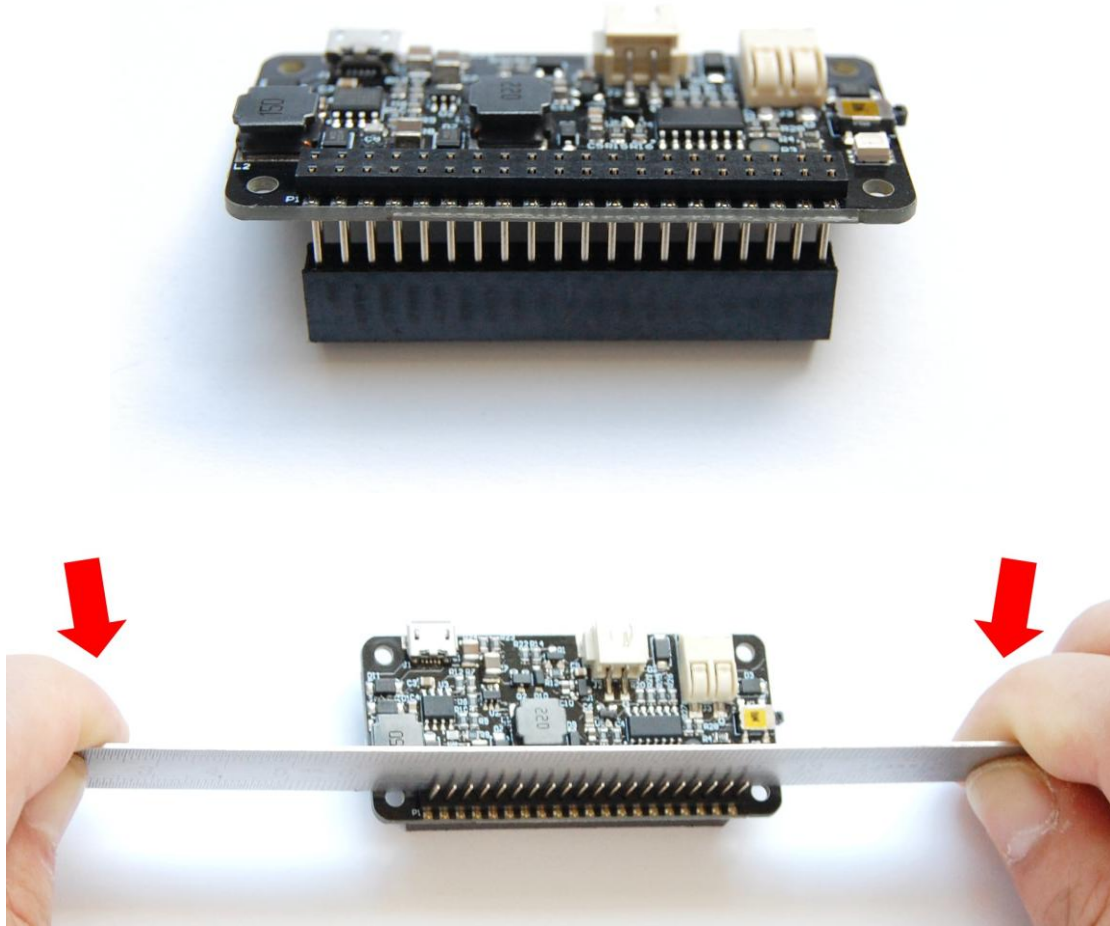


In order to make reliable connection, we suggest to use a [stacking pin header](#) (not included in the package).

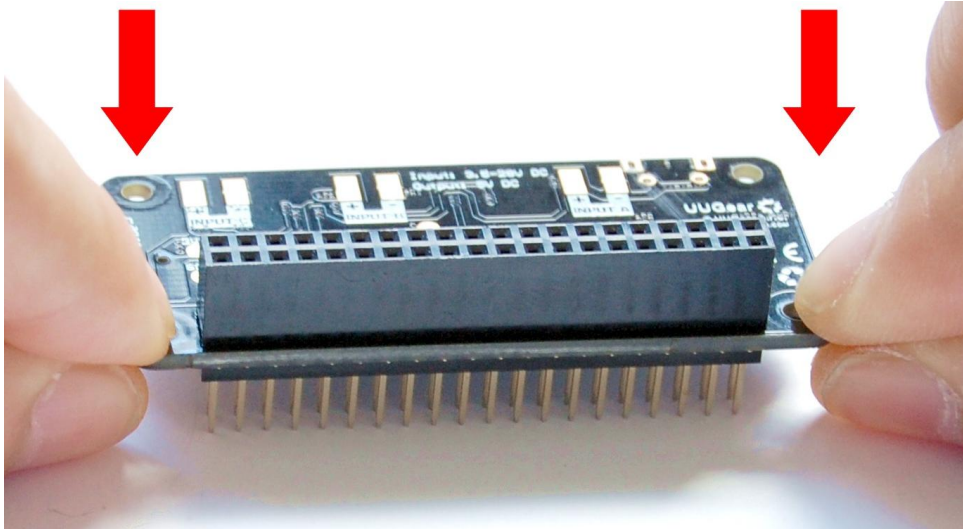


The 40 extra long pins on stacking header should reach the female header **via the holes on the back** of Zero2Go Omini. You can then place a steel ruler (or something

similar) between the two rows of pins and push Zero2Go Omini until it reaches the plastic of the stacking header, as shown in figure below:



If you want to take off the stacking header from Zero2Go Omini, the proper way is to put your Zero2Go Omini upside down, and let the 40 pins contact a flat surface (e.g. the desktop), hold the two edges and press the board down. That way the stacking header will be taken off safely. See the figure below:

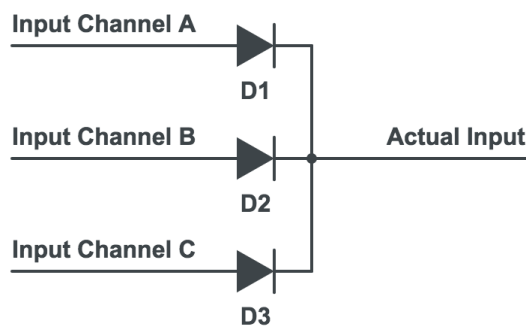


Connecting Power Supplies

Zero2Go Omini has 3 separated input channels, and you can connect multiple power supplies at the same time (one power supply per channel).

If multiple power supplies present, the one with highest voltage will take effect. If that power supply is turned off, the one with second highest voltage will take its place.

The diagram below explains how this happens:



In Zero2Go Omini, these diodes (D1, D2 and D3) are high current schottky diodes. Thanks to them, the input channels are separated, and they all have reverse polarity protection.

Each input channel can accept 3.5V~28V DC. If there is at least one input channel has enough voltage, you will see the LED indicator blinking in red, which means it is standing by.

Remarks: when connecting power supply with rather high voltage (> 12V), please turn off the power supply until the reliable connection has been made. Otherwise the inrush current could damage the hardware!

After your Raspberry Pi is up, you can run the software and monitor the voltages on these three input channels. Please read [Software Usage](#) chapter to learn more.

It is possible to configure Zero2Go Omini as an Uninterruptible Power Supply (UPS), please read the [Work as Uninterruptible Power Supply \(UPS\)](#) chapter for more details.

Software Usage

You can run the zero2go.sh bash script to launch the Zero2Go Omini console:

```
pi@raspberrypi ~/zero2go $ ./zero2go.sh
```

The Zero2Go Omini console looks like this:

```
ZERO2GO OMINI CONSOLE
V1.00 by UUGear s.r.o.

Status
Channel-A: 4.75V Channel-B: 0.40V Channel-C: 0.40V
Working Mode: Step-Up

Menu
1. Set default state when power is connected: [Default Off]
2. Set blinking interval when standing by: [4 Seconds]
3. Set delay between shutdown and cutting power: [5.0 Seconds]
4. Set low voltage threshold: [Disabled]
5. Set recovery voltage threshold: [Disabled]
6. Set step-down engine always-on: [No]
7. Exit

Enter your choice (1~7)
```

In the “Status” area you can read the current voltage of each input channel, and know what the current working mode is (step-up or step-down). The whole interface will be refreshed for every 5 seconds.

In the “Menu” area you can make some configurations on your Zero2Go Omini.

1. Set Default State

By default, your Zero2Go will not turn on your Raspberry Pi when power supply is connected, and you will need to tap on the button to boot your Raspberry Pi. This means “Default Off”.

If you change it to “Default On”, Raspberry Pi will be turned on automatically when power supply is connected. A typical use case is that you wish Raspberry Pi to get back to work after a power failure.

2. Set Blinking Interval

Zero2Go is in “stand by” state when power supply is connected, and Raspberry Pi is not turned on yet. In this state the LED will blink in red color with a fixed interval, whose default value is 4 seconds (blink once per 4 seconds).

Here you can choose 1, 2, 4 or 8 seconds. Since Zero2Go uses watchdog timer to wake itself up and blink the LED, this interval can not be set to other values due to the limitation of watchdog timer.

3. Set Power Cut Delay

After the operational system has been shut down, the TXD pin on Raspberry Pi will go to LOW state, and Zero2Go will wait for a few seconds and then cut the power for Raspberry Pi.

Here you can choose the delay between system shutdown and the power cutting. The default value is 5.0 seconds, and you can choose any value from 0.0 to 8.0 seconds (numbers with one decimal digit are supported).

4. Set Low Voltage Threshold

Zero2Go Omini allows you to specify a voltage threshold, that when all input voltages are below this threshold, Zero2Go will suggest Raspberry Pi to shutdown (by pulling down GPIO-4 for a moment).

This threshold is disabled by default. Here you can specify 2.0~25.0 volts as the threshold (numbers with one decimal digit are supported). You can disable this threshold again by inputting 0 here.

5. Set Recovery Voltage Threshold

Here you can also specify a voltage threshold, that when any of input voltage exceeds this threshold, Zero2Go will turn on your Raspberry Pi. This behavior will happen only when your Raspberry Pi was shut down due to the low voltage (see the “Set Low Voltage Threshold” section above). If low voltage threshold is disabled, configuration of this recovery voltage threshold will be ignored.

This threshold is disabled by default. Here you can specify 2.0~25.0 volts as the threshold (numbers with one decimal digit are supported). You can disable this threshold again by inputting 0 here.

It is recommended to configure this threshold to a value higher than the “low voltage threshold”. Otherwise you may encounter “shutdown - startup” infinite loop. For example, assume you are using a single-cell Li-Po battery to power Zero2Go. If you configure the low voltage threshold to 3.0V, you can configure the recovery voltage threshold to 4.2V. So the system will shutdown when the battery is running out, and get back to work when the battery gets fully charged.

6. Set Step-Down Engine Always-On

Zero2Go Omini uses two DC-DC converting engines at the same time: one for step-up (boost) and one for step-down (bulk).

Usually only one engine is activated at a time. When input voltages are all below 5.5V, the step-up engine is on; When any input voltage exceeds 5.5V, the step-down engine will be activated, while the step-up engine will be off.

However, starting an engine will take some time and switching between engines may cause the interrupt of output voltage. For example, assume the input voltage from 3.7V drops to 7.4V, the step-up engine will be turned off and the step-down engine will be on. The output voltage will be lost when step-up engine is off, while the step-down engine has not been initialized yet, thus the output voltage will be interrupted. If Raspberry Pi is running, it will lose the power for a moment and most probably will be rebooted.

That’s why we have this configuration here, which allows you to turn the step-down engine always-on, so it can start working in no time. Don’t worry, turning step-down engine always-on only cost a small current (about 0.1mA) because the step-down engine is still disabled when input voltages are lower than 5.5V.

You may ask, why there is no option to turn the step-up engine always-on? It is because the step-up engine does not isolate the input and output (they are coupled via an inductor), so the voltage will reach the output as long as the step-up engine is

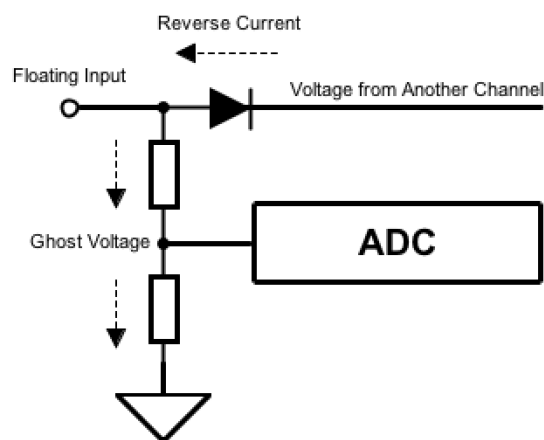
enabled, and should not cause Raspberry Pi to reboot. So there is no need to turn step-up engine always-on.

7. Exit

Choose this option to quit the Zero2Go Omini console. This will not affect the `daemon.sh` running in the background, which will continue running and monitor the state of GPIO-4 pin.

Ghost Voltage

If you leave any input channel floating (not connecting to any power supply), you may see it has voltage too (in Zero2Go Omini Console). It is normal, because the schottky diode for isolating each channel has a reverse leaking current, which could be up to 0.5mA. That reverse current will generate a “ghost voltage” on the voltage divider network, which the ADC (Analog to Digital Converter) on Zero2Go Omini can detect.



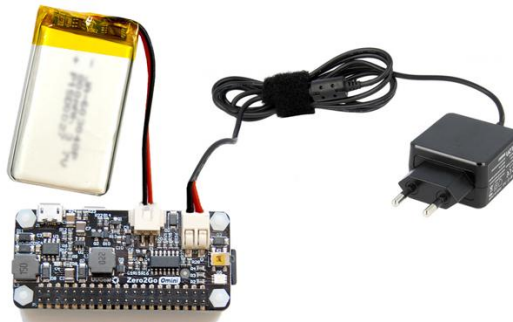
Usually you don't need to worry about it, and the ghost voltage only gets displayed and will not bring any harm.

If you don't want to see the ghost voltage, you may short the floating input to ground, or remove the schottky diode, given that channel will never be used.

Work as Uninterruptible Power Supply (UPS)

Zero2Go Omini can be easily configured as an uninterruptible power supply (UPS) for Raspberry Pi.

You will need at least two power supplies. For example, you connect a 3.7V Li-Po battery pack and a 18V wall adapter to Zero2Go Omini.



Then you can make these configurations in Zero2Go Omini Console:

- Set low voltage threshold to 3.2V
- Set recovery voltage threshold to 4.2V
- Set step-down engine always-on

Also don't forget to add a charging circuit for your battery, because Zero2Go Omini doesn't charge your battery. You can use charging board like [this one](#) or [this one](#).

Now your Zero2Go Omini becomes a UPS with strategies below:

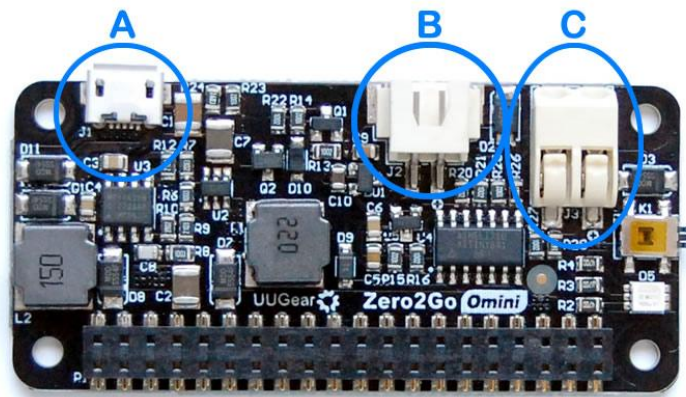
1. If electric power supply is normal, the 18V from wall adapter will be used
2. When electric power supply fails, the 3.7V Li-Po battery pack will be used
3. When the voltage of battery goes below 3.2V, shutdown Raspberry Pi.
4. When the battery is fully charged (back to 4.2V), restarts Raspberry Pi.
5. When the power failure is recovered, uses the 18V from wall adapter.

Hardware Hackings

Zero2Go Omini's hardware is quite hack-able. However, please understand that **once you make any hacking on your Zero2Go Omini, you will lose the warranty**. So please think twice before going further.

1. Interface with different Power Supplies

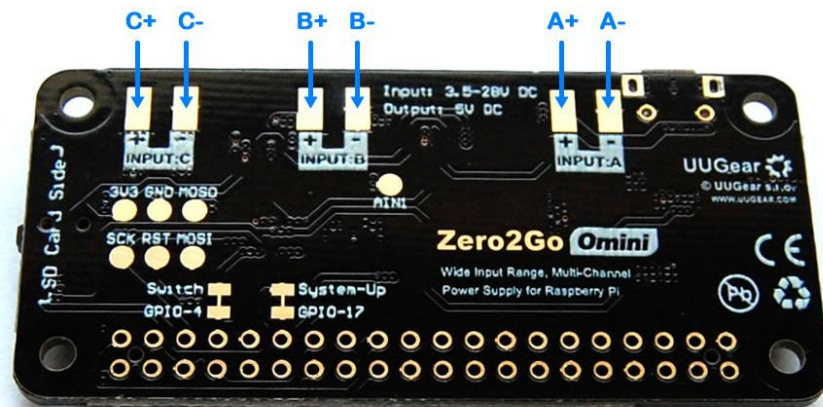
There are 3 input channels on Zero2Go Omini, and each of them has different interface. Channel A uses a micro USB connector; Channel B uses an XH2.54-2P connector; Channel C uses a universal wire connector and can connect DuPont wires or any power wire.



If your power supply has different interface, for example, a barrel shaped plug, you can prepare a barrel jack with two leads, and solder its leads to the pads on Zero2Go Omini's bottom surface.



You can solder the two leads on any channel (they all support 3.5~28V input):



The same idea can be used to interface any kind of power supply.

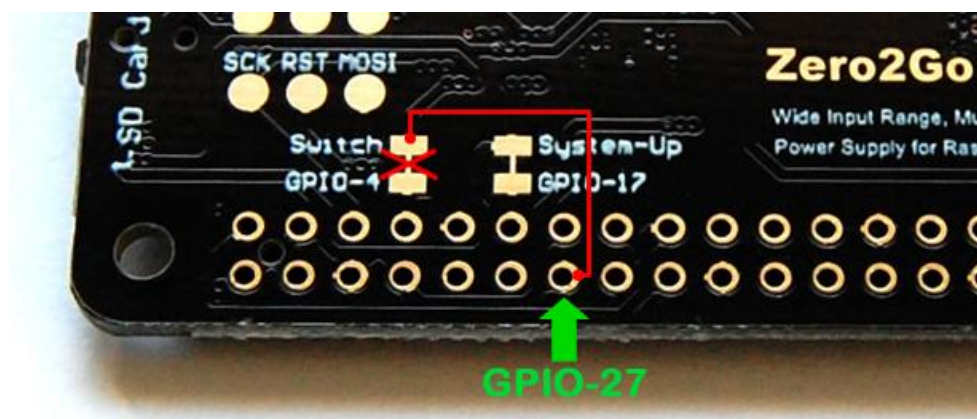
2. Change the Pin Used by Zero2Go Omini

Zero2Go Omini uses GPIO-4 (BCM naming) as SWITCH signal and GPIO-17 (BCM naming) as System-Up signal. You can learn more details [here](#).

The SWITCH signal is in HIGH state by default, and it goes LOW when you press the button on Zero2Go Omini, then it goes back to HIGH when you release the button. The System-Up signal is in LOW state by default, and it goes HIGH for 0.5 second after booting your Raspberry Pi.

You can change the pins used by Zero2Go Omini. What you need to do is to cut the thin copper track on the back and wire the signal pad to new pin accordingly.

For example, if you want to use GPIO-27 (BCM naming) as SWITCH signal, you cut the copper track between Switch and GPIO-4, and then wire the “Switch” pad to GPIO-27, as shown in picture below:



You will also need to modify the daemon.sh file to adapt this change. Just change the

```
7 # halt by GPIO-4 GPIO-27 (BCM naming)
8  readonly HALT_PIN=4 HALT_PIN=27
9
10 # pull up GPIO-17 (BCM naming) to indicate system is up
11  readonly SYSUP_PIN =17
```

“HALT_PIN” variable to 27:

You can also change the pin used for System-Up signal as well. Just cut the copper track between System-Up and GPIO-17, and then wire the System-Up pad to the new pin. You will also need to change the “SYSUP_PIN” variable in daemon.sh file.

3. Modify and Upload Firmware

Usually you don’t need to modify the firmware, and we do not suggest to modify the firmware, because it could damage the hardware if you don’t do it right. Just like doing other hackings, **once you upload the firmware by yourself, you will lose the warranty**. If you still want to proceed, please make sure you understand how it works.

Zero2Go Omini uses an ATtiny841 microcontroller to control the DC-DC converter engines, measure voltages and communicate with Raspberry Pi via I2C interface. The firmware is developed with Arduino IDE and the source code can be found in GitHub repository.

The firmware uses these open sourced libraries, and you will need to install them to your Arduino IDE to have the firmware compiled properly:

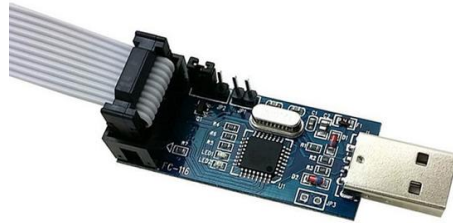
- ATTinyCore: <https://github.com/SpenceKonde/ATTinyCore>
- analogComp: <https://github.com/leomil72/analogComp>

Please read the document of these libraries to learn how to install and configure them.

Before making any modification on firmware, please read its source code carefully and fully understand it. Incorrectly modifying the firmware can lead to very bad consequence. For example, **if your firmware turns on the DC/DC step-up engine when input voltage is 12V, that high voltage will reach your Raspberry Pi and blow everything!**

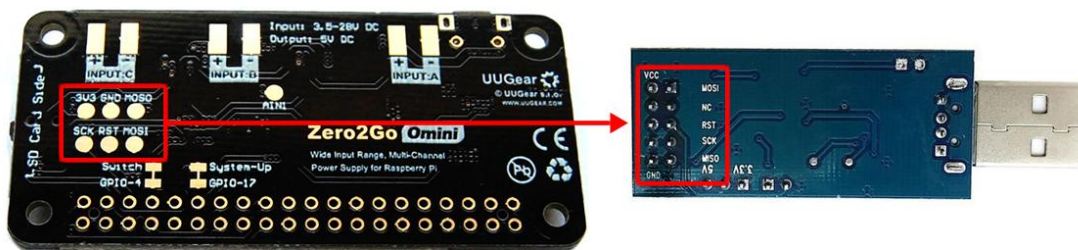
Although we are not obliged to support your modification on the firmware, we don’t want you to kill your Zero2Go Omini and Raspberry Pi either. So please do ask us if you have anything not sure in the firmware, and we will try to help.

Assume you modify the firmware in your PC, then you will need a USB programmer to upload the firmware to your Zero2Go Omini. Here we use USBasp as an example.



The USB programmer can communicate with Zero2Go Omini board via Serial Peripheral Interface (SPI). You will need to wire the pads (pins) with same name together:

Zero2Go Omini	USB Programmer
3V3	VCC
GND	GND
MOSI	MOSI
MOSO	MOSO
SCK	SCK
RST	RST



After doing so, you need to configure the programmer in your Arduino IDE. If you are using USBasp, just select menu “Tools->Programmer->USBasp (ATTinyCore)”. Now you can upload the firmware.

We strongly suggest to test the new firmware without having Raspberry Pi connected. You can measure the output voltage with voltmeter, and make sure your Raspberry Pi will not receive high voltage.

Zero2Go Omini Log Files

In the directory that you install your Zero2Go software, you can find on log files: **zero2go.log**. If you need our help for solving a problem, please kindly put the log files in email attachment too. This will help us to help you better.

The “zero2go.log” file records the history of all Zero2Go activities. If you think your Zero2Go doesn’t behave right, this log file might provide more information for debugging.

Frequently Asked Questions (FAQ)

1. What I²C Address is Used by Zero2Go Omini?

Raspberry Pi communicates with the MCU (ATtiny841) on Zero2Go Omini via I²C protocol. The default I²C address is **0x29**.

If you have Zero2Go Omini connected to Raspberry Pi and run “i2cdetect -y 1” in the command line terminal, you will see the used address:

```
pi@raspberrypi ~$ i2cdetect -y 1
   0  1  2  3  4  5  6  7  8  9  a  b  c  d  e  f
00:  --  --  --  --  --  --  --  --  --  --  --  --  --  --  --
10:  --  --  --  --  --  --  --  --  --  --  --  --  --  --  --
20:  --  --  --  --  --  --  --  --  29  --  --  --  --  --  --
30:  --  --  --  --  --  --  --  --  --  --  --  --  --  --  --
40:  --  --  --  --  --  --  --  --  --  --  --  --  --  --  --
50:  --  --  --  --  --  --  --  --  --  --  --  --  --  --  --
60:  --  --  --  --  --  --  --  --  --  --  --  --  --  --  --
70:  --  --  --  --  --  --  --  --  --  --  --  --  --  --  --
pi@raspberrypi ~$
```

2. What I²C Registers Are Provided by Zero2Go Omini?

The MCU in Zero2Go Omini works as an I²C slave and Raspberry Pi can read/write some registers via I²C interface. The software configures Zero2Go Omini by setting the I²C register accordingly.

The table below shows the 16 registers provided by Zero2Go Omini. As you can see, some of them are read-only (only get updated by firmware):

Address	Description	Range	Default	Accessible
0	Firmware ID	--	0x70	Read-only
1	Integer part for voltage of channel A	0~255	0	Read-only
2	Decimal part (multiple 100 times) for voltage of channel A	0~99	0	Read-only

3	Integer part for voltage of channel B	0~255	0	Read-only
4	Decimal part (multiple 100 times) for voltage of channel B	0~99	0	Read-only
5	Integer part for voltage of channel C	0~255	0	Read-only
6	Decimal part (multiple 100 times) for voltage of channel C	0~99	0	Read-only
7	Working mode: <ul style="list-style-type: none"> • bulk (step-down) = 1 • boost (step-up) = 0 	1 or 0	1	Read-only
8	A flag indicates that whether the previous shutdown is because of low voltage: <ul style="list-style-type: none"> • Yes = 1 • No = 0 	1 or 0	0	Read-only
9	I2C slave address: default=0x29	0x08 ~0x77	0x29	Read & Write
10	State when power connected: <ul style="list-style-type: none"> • Default On = 1 • Default Off = 0 	1 or 0	0	Read & Write
11	Red LED Blink interval: <ul style="list-style-type: none"> • 1 second = 6 • 2 seconds = 7 • 4 seconds = 8 • 8 seconds = 9 	6,7,8 or 9	8	Read & Write
12	Low voltage threshold (multiple 10 times, 255=disabled)	0~255	255	Read & Write

13	Set bulk converter always-on: <ul style="list-style-type: none"> • Yes = 1 • No = 0 	1 or 0	0	Read & Write
14	The delay (multiple 10) before power cut: default=50 (5 seconds)	0~255	50	Read & Write
15	Recovery voltage threshold (multiple 10 times, 255=disabled)	0~255	255	Read & Write

Below is an example to read the register at address 7, to know the current working mode (0x00 means boost/step-up mode):

```
pi@raspberrypi ~$ i2cget -y 1 0x29 7
0x00
pi@raspberrypi ~$
```

And below is an example to write the register at address 11, to set the blinking interval to 1 second (using value 6):

```
pi@raspberrypi ~$ i2cset -y 1 0x29 11 6
pi@raspberrypi ~$
```

Remarks: although the register at address 9 is writable, **changing the I2C slave address is more than writing an I²C register**. You will need to modify the software accordingly (change the I2C_SLAVE_ADDRESS value in utilities.sh file), and reconnect the power supply to make it work.

3. What GPIO Pins Are Used by Zero2Go Omini?

The GPIO pins used by Zero2Go Omini are marked with **green** color in the table below.

GPIO (BCM)	Name	Physical		Name	GPIO (BCM)
	3.3V	1	2	5V	
2	SDA 1	3	4	5V	
3	SCL 1	5	6	GND	
4	GPIO 7	7	8	TXD	14
	GND	9	10	RXD	15
17	GPIO 0	11	12	GPIO 1	18
27	GPIO 2	13	14	GND	
22	GPIO 3	15	16	GPIO 4	23
	3.3V	17	18	GPIO 5	24
10	MOSI	19	20	GND	
9	MISO	21	22	GPIO 6	25
11	SCLK	23	24	CE0	8
	GND	25	26	CE1	7
0	SDA 0	27	28	SCL 0	1
5	GPIO 21	29	30	GND	
6	GPIO 22	31	32	GPIO 26	12
13	GPIO 23	33	34	GND	
19	GPIO 24	35	36	GPIO 27	16
26	GPIO 25	37	38	GPIO 28	20
	GND	39	40	GPIO 29	21

As you can see in the table, Zero2Go Omini uses **GPIO-4**, **GPIO-17**, **GPIO-2 (SDA 1)** and **GPIO-3 (SCL 1)**.

GPIO-4 is used as SWITCH signal. It goes LOW when you press the button on Zero2Go Omini, then it goes back to HIGH when you release the button.

GPIO-17 is used as System-Up signal. It is in LOW state by default, and it goes HIGH for 0.5 second when your Raspberry Pi finishes booting.

If you want Zero2Go Omini to use different pins, please read [Change the Pin Used by Zero2Go Omini](#) to learn more.

GPIO-2 and GPIO-3 are for I²C communication between Raspberry Pi and the MCU in Zero2Go Omini (ATtiny841). Multiple I²C devices can share these two pins, as long as they have different I²C address.

Zero2Go Omini doesn't actually use the TXD pin (it only monitors it). Using serial port for data exchanging will not be a problem.

4. Is Zero2Go Omini Compatible with “Other Hardware”?

Please understand that we might not have the hardware you have on hand, and even if we have, it is difficult for us to make tests on all these hardware with Zero2Go Omini. Fortunately, it is not that difficult to figure out the answer by yourself. Basically you just need to consider the I²C address and GPIO pins used by the “Other Hardware”.

If the “Other Hardware” doesn't use any GPIO pin that used by Zero2Go Omini, and it doesn't use 0x29 I²C address, then it should be compatible with Zero2Go Omini.

If the “Other Hardware” uses 0x29 I²C address, it will be a confliction with Zero2Go Omini. You can either change the I²C address used by the “Other Hardware” (if possible), or change the I²C address used by Zero2Go Omini (learn more [here](#)).

If you have no idea which I²C address (if applicable) or GPIO pins are used by the “Other Hardware”, please contact its developer, as they certainly know their hardware and can provide you accurate information about it.

5. How to Understand the Color of LED on Zero2Go Omini?


There is an RGB three-color LED on Zero2Go Omini, and it indicates the current working status of the board. The RGB LED actually include 3 standalone LEDs. They have red, green and blue color and each of them can be turned on/off.

When Zero2Go is standing by, it blinks the LED in red with an interval. Telling you that the power supply has connected, and you can tap the button to turn on your Raspberry Pi.


If one of the input channel has voltage higher than 5.5V, Zero2Go Omini uses the step-down engine to output 5V, and the LED will be turned on in green, indicating Zero2Go is working in bulk (step-down) mode.

 = Bulk (step-down) Mode

If all input channels have voltage lower than 5.5V, Zero2Go uses step-up engine to output 5V or the input voltage, whoever is higher. In this case the LED will be turned on in blue, indicating Zero2Go is working in boost (step-up) mode.

 = Boost (step-up) Mode

If you have configured [step-down engine always-on](#). When Zero2Go is working in boost (step-up) mode, you will see the LED in cyan instead, because its internal blue and green LEDs are both on.

 = Step-Up Mode + Step-Down Engine Always-On

After your Raspberry Pi is booted, the internal red LED will be on for 0.5 second and you will see a flash in yellow (when working in step-down mode), or in purple (when working in step-up mode), or in white (when working in step-up mode with step-down engine always-on).

 = Step-Down Mode

 = Step-Up Mode

 = Step-Up Mode with Step-Down Engine Always-On

If you tap the button on Zero2Go Omini to turn off your Raspberry Pi, the internal red LED will also be on before the system shutdown. You will see the LED in yellow, in purple or in white, for the same reason above.

6. Will Zero2Go Omini Charge Battery?

No. Zero2Go Omini actually doesn't know what kind of power supply you connect to it, and it only sees the voltage on every input channel. If you connect a rechargeable battery to Zero2Go Omini, it will not be charged by Zero2Go Omini, and you will need to implement your own charging circuit.

If you are using single cell 3.7V Li-Po battery, there are actually some well-made charging circuit boards that you can use directly, like [this one](#) or [this one](#) for example.

Revision History

Revision	Date	Description
1.00	2018.08.28	Initial revision
1.01	2018.09.09	Fix some typos
1.02	2019.02.05	Clarify in UPS section and FAQ that Zero2Go Omini doesn't charge battery.

Mouser Electronics

Authorized Distributor

Click to View Pricing, Inventory, Delivery & Lifecycle Information:

[Adafruit:](#)

[4114](#)