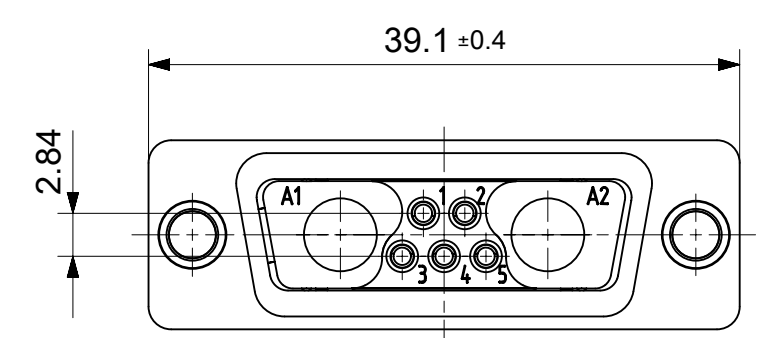
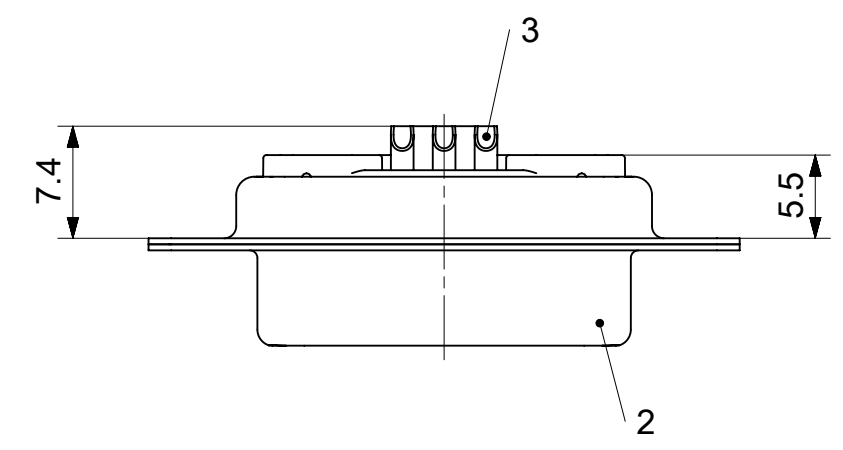
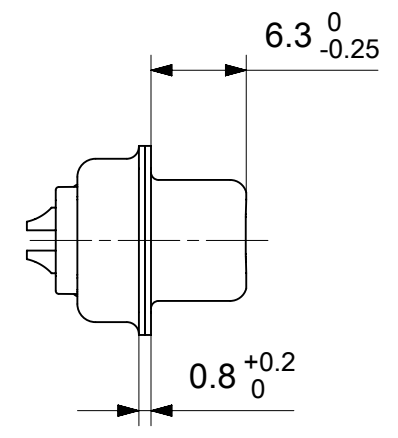
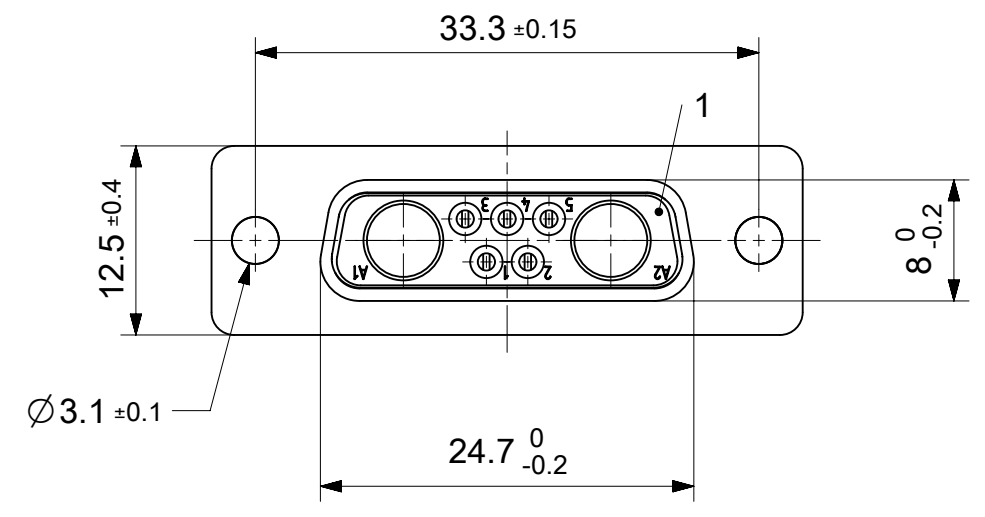


RoHS compliant
by exemption



3	5	Signal contact	S0 / Brass	AuroPur / AWG 20
2	1	Shell	Steel	tin plated
1	1	Insulator	PBT (-55°C to +130°C) acc. UL94V-0	green
No.	Pc.	Part	Type Description/Material	Surface plating/ Color/Class

MEASUREMENTS WITHOUT TOLERANCE ACC TO ISO 2768-m REPLACEMENT FOR DOCUMENT NUMBER: FM7W2SA-K121

FUNCTIONAL SYMBOLS	THIS DRAWING CONTAINS INFORMATION THAT IS PROPRIETARY TO MOLEX ELECTRONIC TECHNOLOGIES, LLC AND SHOULD NOT BE USED WITHOUT WRITTEN PERMISSION	CURRENT REV DESC:		molex					
	<table border="1"> <tr> <th>DIMENSION UNITS</th> <th>SCALE</th> </tr> <tr> <td>mm</td> <td>2:1</td> </tr> </table>	DIMENSION UNITS	SCALE		mm	2:1	EC NO: 727531		FCT D-SUB MIXED-LAYOUT CONNECTOR FCT PART NUMBER: FM7W2SA-K121
	DIMENSION UNITS	SCALE							
	mm	2:1							
GENERAL TOLERANCES (UNLESS SPECIFIED)		DRWN: MSTEINBRUECK	2022/11/14						
ANGULAR TOL ± °		CHK'D: MTEUBEL	2022/11/17						
4 PLACES ±		APPR: MTEUBEL	2022/11/17						
DIVISIONAL SYMBOLS	INITIAL REVISION:		PRODUCT CUSTOMER DRAWING						
	DRWN: ABHILT2		2022/06/21	DOCUMENT NUMBER					
	APPR: MTEUBEL		2022/10/25	1727040036					
	DRAFT WHERE APPLICABLE MUST REMAIN WITHIN DIMENSIONS		FIRST ANGLE PROJECTION	DRAWING					
		SERIES	MATERIAL NUMBER	CUSTOMER					
		A3-SIZE	172704	1727040036					
				PSD 000 A1					
				SHEET NUMBER					
				1 OF 1					