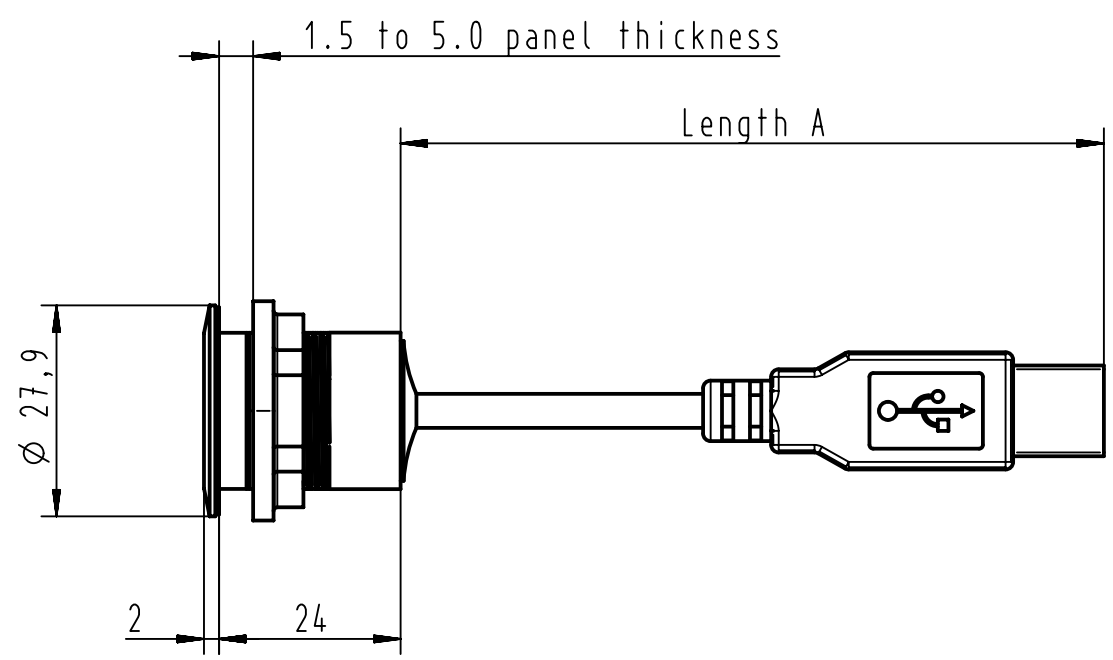


A

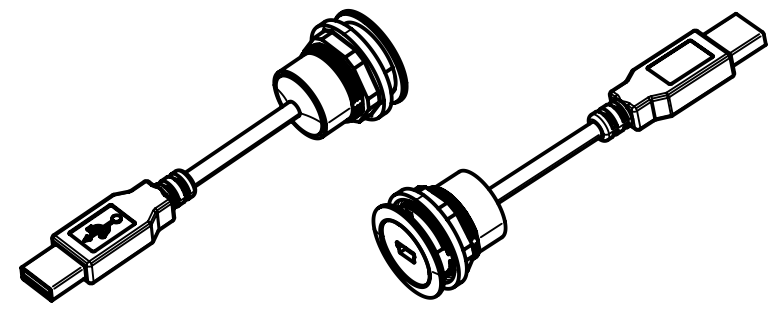
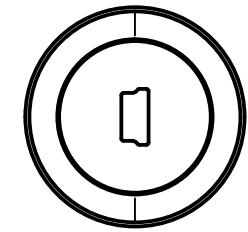
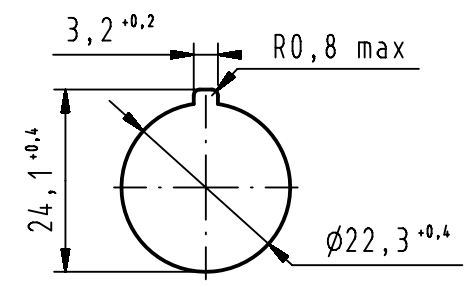
B

C

D



PANEL CUT DIMENSIONS:



Length A	Part number
0,5m	09 45 452 1940
1,0m	09 45 452 1941
1,5m	09 45 452 1942
2,0m	09 45 452 1943
3,0m	09 45 452 1944
5,0m	09 45 452 1945

	All Dimensions in mm Original Size DIN A4	Scale	Free size tol.		Ref.	
		1:1			Sub.	
All rights reserved Department EC PD - FR	HARTING Electronics GmbH D-32339 Espelkamp	Created by	Inspected by	Standardisation	Date	State
		DOUGE	BAGDIKIAN	HOFFMANN	2013-04-18	Final Release
Title har-port USB 2.0 Mini-B					Doc-Key / ECM-Nr. 100536613/UGD/001/A 5300000861818	
Type TB		Number 0945452194X			Rev. A	Page 1/1