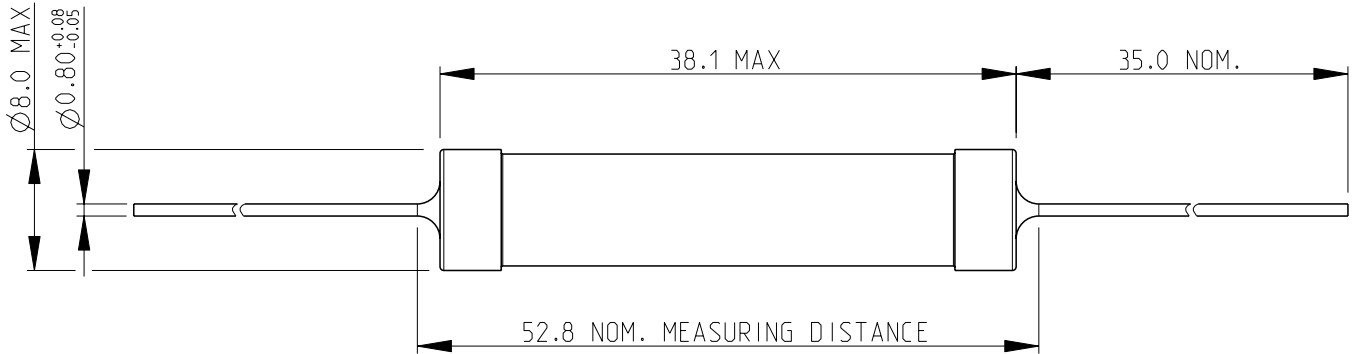


REVISIONS

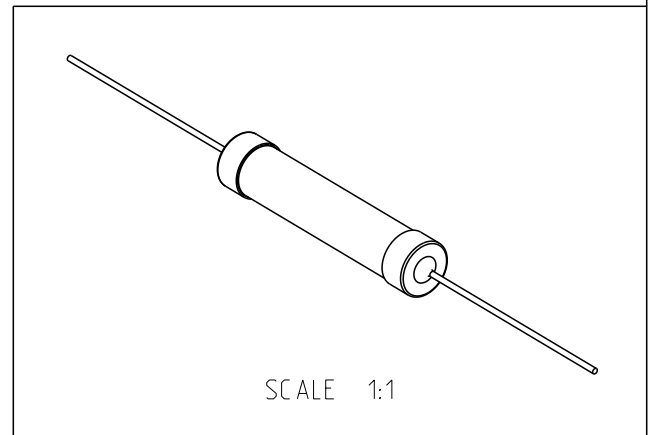
P	LTR	DESCRIPTION	DATE	DWN	APVD
	BA2	ECR-17-013465	13SEP2017	RK	TN

NOTES:

1. FOR FURTHER INFORMATION SEE DATA SHEET FOR C SERIES-HIGH POWER RESISTORS
2. WEIGHT 0.400 Kg PER 100 PIECES



RoHS Compliant



2008

RELEASED FOR PUBLICATION

ALL RIGHTS RESERVED.

THIS DRAWING IS UNPUBLISHED.

BY -

© COPYRIGHT 2008

DIMENSIONS: mm	DWN	16-Sep-08	MATERIAL	-	FINISH	-	
	CHK	16-Sep-08					
TOLERANCES UNLESS OTHERWISE SPECIFIED:	APVD	16-Sep-08					
0 PLC ±0.2	PRODUCT SPEC	-	NAME HIGH POWER RESISTORS				
1 PLC ±0.1	APPLICATION SPEC	-	SERIES C10				
2 PLC ±	WEIGHT	-	SIZE	CAGE CODE	DRAWING NO	RESTRICTED TO	
3 PLC ±		-	A 4	00779	C=1623773	-	
4 PLC ±			CUSTOMER DRAWING				SCALE 2:1
ANGLES 5°							

# Mouser Electronics

Authorized Distributor

Click to View Pricing, Inventory, Delivery & Lifecycle Information:

[TE Connectivity:](#)

[C104R7JL](#)