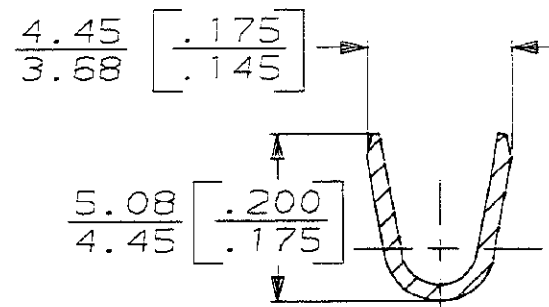
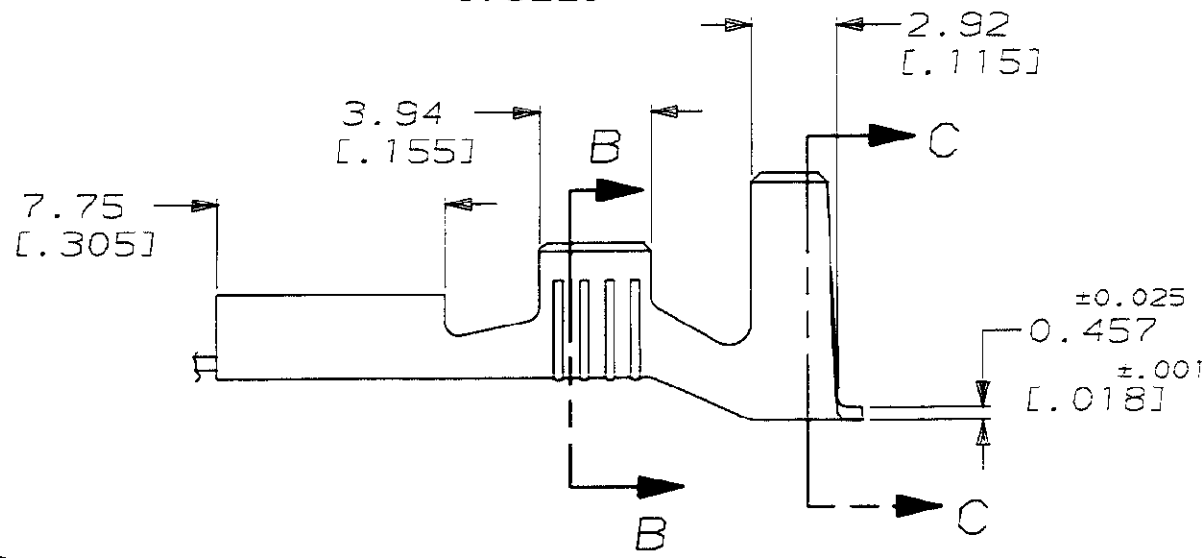


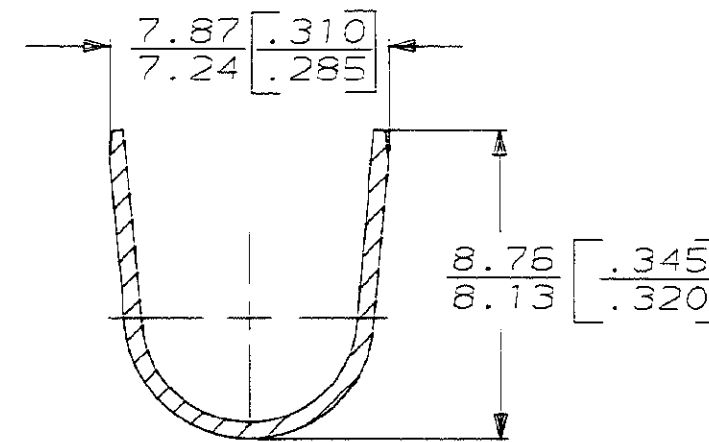
FITS 6.35 [.250] SERIES FASTON TAB

VIEW A-A
SCALE 8:1

CONTINUOUS STRIP ON REELS



SECTION B-B
SCALE 5:1



SECTION C-C
SCALE 5:1



| | | | |
|--------------------------------------------------------------------------------------------------------------------------------------------------|------------------------------------------------------------------------------------------------------------------------|---------------------------------------------------|--------------------|
| 5.33-6.73 [.210-.265] DIA | 1.3-3.0mm ² [16-12] AWG | 0.813 [.032] | 42579-1 |
| INSULATION RANGE | WIRE SIZE | MATING TAB THK ±0.025 [.001] | PART NO |
| DO NOT SCALE PRINT. UNLESS SPECIFIED DIMENSIONS IN mm [INCHES] TOLERANCES ON: 2 PLC DEC * - 3 PLC DEC * 0.38 [.015] ANGLES * - | DR 4/3/91 JR RUTH CHK 4/3/91 MS FEHER APPD 4/3/91 C MEYERS APPD 4/3/91 D REINER PRODUCT SPEC - | AMP INCORPORATED Harrisburg, Pa. 17105 | |
| MATERIAL T2 STEEL | FINISH NICKEL | NAME RECEPTACLE, FASTON™ 6.35 [.250] SERIES | |
| | APPLICATION SPEC - | SIZE B | CAGE CODE 00779 |
| | WEIGHT - | DRAWING NO 42579 | SCALE 4:1 |
| | | SHEET 1 OF 1 | |