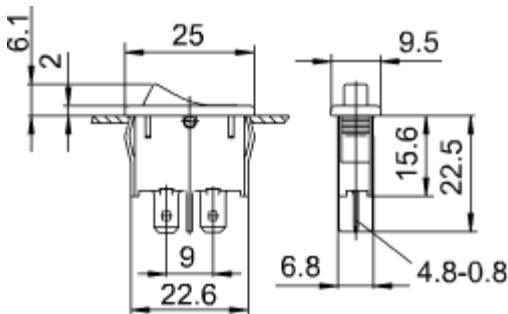




Marquardt Mechatronik GmbH  
Schloss-Str. 16  
78604 Rietheim-Weilheim  
Germany

Phone: +49 (0) 7424 / 99-0  
Fax: +49 (0) 7424 / 99-2399  
Net: www.marquardt.de  
E-mail: marquardt@marquardt.de

## Product image / Drawings



X = wall thickness

| X             | Y         | Z        |
|---------------|-----------|----------|
| 0.75 ... 1.25 | 23.2 -0.1 | 6.8 +0.1 |
| 1.25 ... 2    | 23.4 -0.1 | 6.8 +0.1 |
| 2 ... 3       | 23.8 -0.1 | 6.8 +0.1 |

## Technical data

|                                       |  |               |
|---------------------------------------|--|---------------|
| <b>Product number</b>                 | <b>1911.1102</b>                                     |               |
| Product family                        | Rocker switches                                      |               |
| Actuation type                        | direct   |               |
| Weight                                | 3.200 g  |               |
| ROHS conform                          | yes  |               |
| Switching function                    | ON / OFF switch (SPST)                               |               |
| Material fixed contact                | Cu silver-plated                                     |               |
| Number of poles                       | 1 - pole   |               |
| connections                           | Quick-connect terminal, soldering by hand, 4.8 x 0.8 |               |
| Mechanical life endurance             | 75E3   |               |
| Rating IEC                            | 4 (1) A 250 V AC 5E4<br>6 (2) A 250 V AC 1E4         |               |
| Rating North America                  | 6 A 125 - 250 V AC 1/8 HP                            |               |
| Contact resistance (new condition)    | < 100 (1 A 12 V DC) mOhm                             |               |
| Insulation resistance (new condition) | > 100 (500 V DC) MOhm                                |               |
| Voltage strength at 250 V             | function insulation / basic insulation               | 1<br>500 V    |
|                                       | reinforced insulation                                | 3<br>000 V    |
|                                       | small contact distance                               | 500 V         |
| Proof tracking                        | 250 PTI  |               |
| Insulation spacing                    | acc. to EN 61058 for reinforced or double insulation |               |
| Protection type                       | Connection   | IP 40         |
|                                       | Actuator   | IP 40         |
| Temperatures                          | Connection side min.                                 | -20 °C        |
|                                       | Connection side max.                                 | 85 °C         |
|                                       | Actuation side min.                                  | -20 °C        |
|                                       | Actuation side max.                                  | 55 °C         |
|                                       | Storage temperature min.                             | -40 °C        |
|                                       | Storage temperature max.                             | 80 °C         |
| Flammability                          | UL 94 V-2  |               |
| Glow wire test temperature            | 850 °C   |               |
| Actuators and additional actuators    | rocker: PA, black                                    |               |
| Housing description                   | housing: PA, black                                   |               |
| Connection surface                    | bearing connection                                   | silver plated |
|                                       | external connection                                  | silver plated |
| Contact material                      | Ag   |               |
| Contact distance                      | ≥ 3 mm   |               |
| Rating Code UL                        | R 58   |               |
| Contact type                          | lifting contact                                      |               |
| Plug force of the terminals           | ≤ 80 N   |               |
| Operating force                       | 2 - 5 N  |               |
| Approval marks                        | CSA / ENEC 05 / UL                                   |               |

|   |                |
|---|----------------|
| Suitable for appliances of protection class | II             |
| Type of fastening                           | Snap fastening |
| Stock version                               | ●              |