

CB TM1 2A M1 P - Thermomagnetic device circuit breaker



2800848

<https://www.phoenixcontact.com/us/products/2800848>

Please be informed that the data shown in this PDF document is generated from our Online Catalog. Please find the complete data in the user documentation. Our General Terms of Use for Downloads are valid.



Thermomagnetic device circuit breaker, 1-pos., tripping characteristic M1 (medium-blow), 1 changeover contact, plug for base element.

Your advantages

- Individually adjustable with protective plugs
- Switch higher starting currents with the aid of the M1 characteristic curve
- Protective plug with fixed nominal current value as protection against unintentional changes
- Increased safety with electrical isolation in the event of errors

Commercial Data

Item number	2800848
Packing unit	1 pc
Minimum order quantity	1 pc
Sales Key	CL04
Product Key	CLA124
Catalog Page	Page 392 (C-4-2019)
GTIN	4046356689991
Weight per Piece (including packing)	45 g
Weight per Piece (excluding packing)	41.6 g
Customs tariff number	85362010
Country of origin	ID

CB TM1 2A M1 P - Thermomagnetic device circuit breaker



2800848

<https://www.phoenixcontact.com/us/products/2800848>

Technical Data

Notes

General	When mounted in rows, the nominal device current can be limited to just 80% or must be overdimensioned accordingly.
---------	---

Product properties

Type	Male
Product type	Thermomagnetic device circuit breakers
Product family	CB TM
Number of positions	1
No. of channels	1

Insulation characteristics

Degree of pollution	2
---------------------	---

Electrical properties

No. of channels	1
Fuse type	Automatic device

General

Rated voltage	50 V DC (IEC 60934)
	50 V DC (UL 1077)
	50 V DC (UL 508 - with plug-in base)
	240 V AC (U _e according to IEC 60934)
	277 V AC (UL 1077)
	277 V AC (UL 508 - with plug-in base)
Rated insulation voltage U _i	277 V AC (UL 1077)
	250 V AC (IEC 60934)
Rated current I _N	2 A (IEC 60934)
	2 A AC (inductive load according to UL 1077)
	2 A DC (low-induction load according to UL 1077)
	2 A AC (inductive load according to UL 508 - with plug-in base)
	2 A DC (low-induction load according to UL 508 - with plug-in base)
Rated surge voltage	2.5 kV (Increased insulation in actuation area)
Insulation resistance R _{iso}	> 100 MΩ (500 V DC)
Auxiliary circuit	277 V AC / 0.5 A (Low-induction)
	277 V AC / 1 A (Low-induction, maximum of 2000 cycles)
	50 V DC / 1 A (Low-induction)
Type of actuation	S type
Tripping method	TM (thermomagnetic)
Tripping level	Trip-free mechanism (positive)
Device resistance	300 mΩ
Required backup fuse	15 A (I > I _{cn})

CB TM1 2A M1 P - Thermomagnetic device circuit breaker



2800848

<https://www.phoenixcontact.com/us/products/2800848>

Rated short-circuit switching capacity I_{cn}	300 A (240 V AC)
	600 A (50 V DC)
Short-circuit switching capacity	1000 A AC (277 V AC)
	1000 A DC (50 V DC)
Dielectric strength	3000 V AC (Actuation area)
	1500 V AC (Main to auxiliary circuit)
	1500 V AC (Open main circuit)
	1000 V AC (Open auxiliary circuit)
Switching cycles, max.	6000 (at $1 \times I_n$)
Fuse	M1 (normal blow)
Power dissipation	1.2 W (in nominal operation per channel)
Voltage drop	0.64 V (at $1 \times I_n$)

Auxiliary contact

Minimum operating voltage U_{min} DC	10 V
Maximum operating voltage U_{max} DC	240 V
Maximum operating voltage U_{max} AC	240 V
Minimum operating current I_{min}	10 mA
Max. operating current I_{max}	1 A

Connection data

Connection method	pluggable
-------------------	-----------

Dimensions

Dimensional drawing	
Width	12.3 mm
Height	45 mm
Depth	52 mm
Complete module width	12.3 mm
Complete module height	90 mm
Complete module depth	77.3 mm

Material specifications

Flammability rating according to UL 94	V-0
Insulating material group	II

Mechanical properties

Mechanical data

Open side panel	No
-----------------	----

CB TM1 2A M1 P - Thermomagnetic device circuit breaker



2800848

<https://www.phoenixcontact.com/us/products/2800848>

Environmental and real-life conditions

Ambient conditions

Degree of protection	IP30 (Actuation area)
Ambient temperature (operation)	-30 °C ... 60 °C
Ambient temperature (storage/transport)	-40 °C ... 80 °C
Humidity test	240 h, 95 % RH, 40 °C
Shock (operation)	30g (According to IEC 60068-2-27, Test Ea)
Vibration (operation)	8g (in accordance with IEC 60068-2-6, Test Fc)

Approvals

UL approval

Identification	UL Listed UL 508
	UL/C-UL Recognized UL 1077

CSA

Identification	CSA CAN/CSA-C22.2 No. 235-04
----------------	------------------------------

Shipbuilding approval

Identification	DNV GL
----------------	--------

Standards and regulations

Standards/specifications	EN 60934
--------------------------	----------

Mounting

Mounting type	on base element
Connection method	pluggable

CB TM1 2A M1 P - Thermomagnetic device circuit breaker

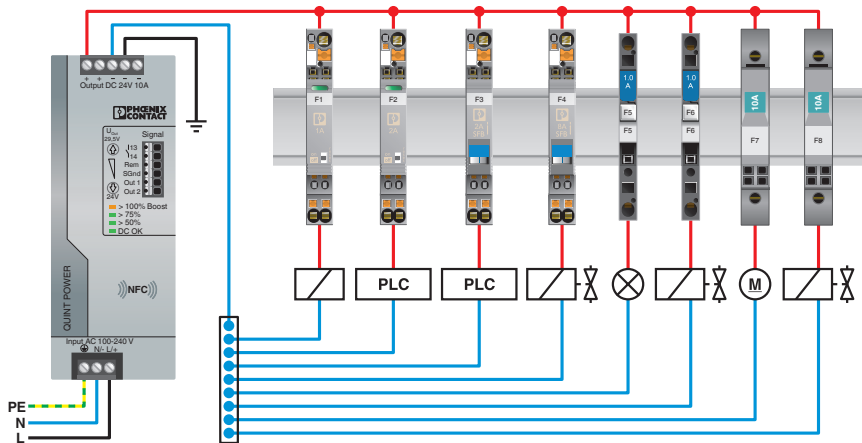


2800848

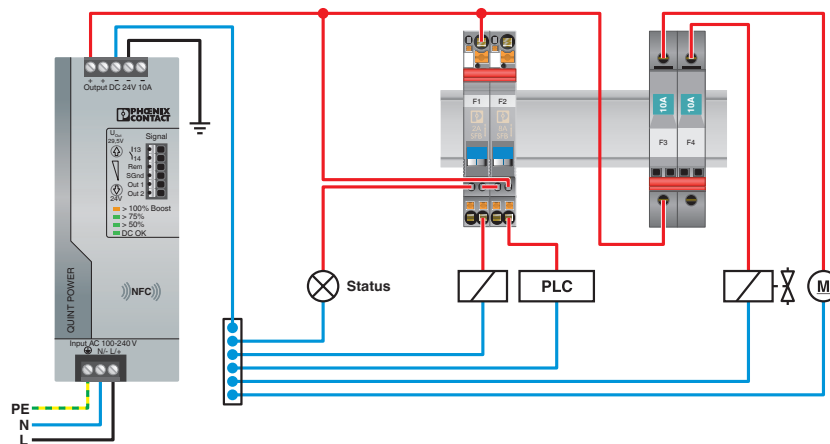
<https://www.phoenixcontact.com/us/products/2800848>

Drawings

Application drawing



Application drawing

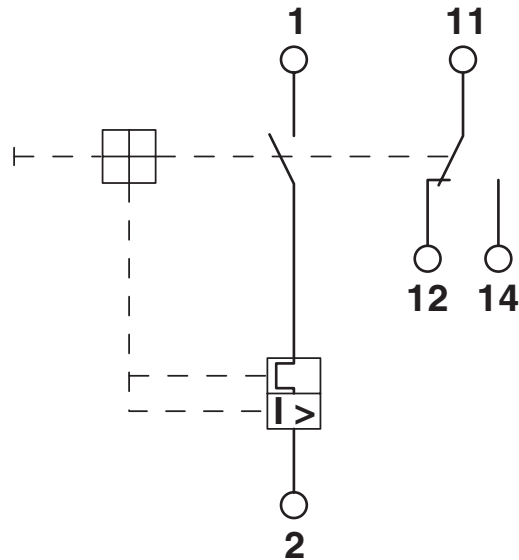


CB TM1 2A M1 P - Thermomagnetic device circuit breaker

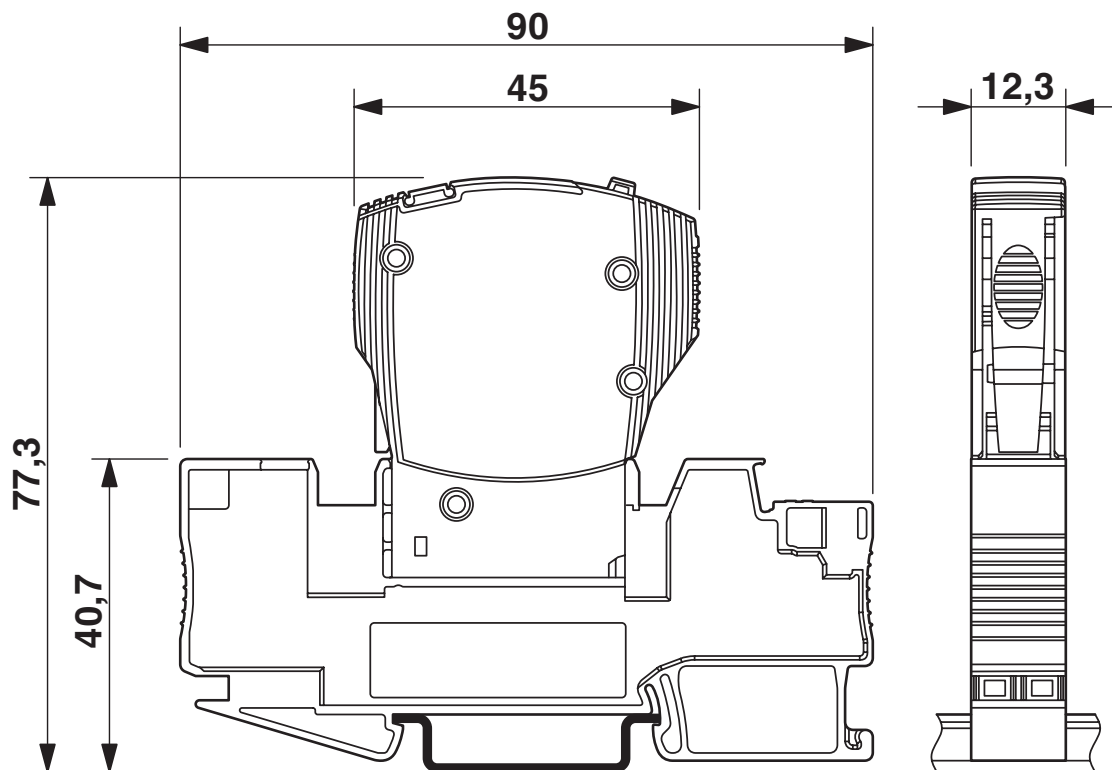
2800848

<https://www.phoenixcontact.com/us/products/2800848>

Circuit diagram



Dimensional drawing



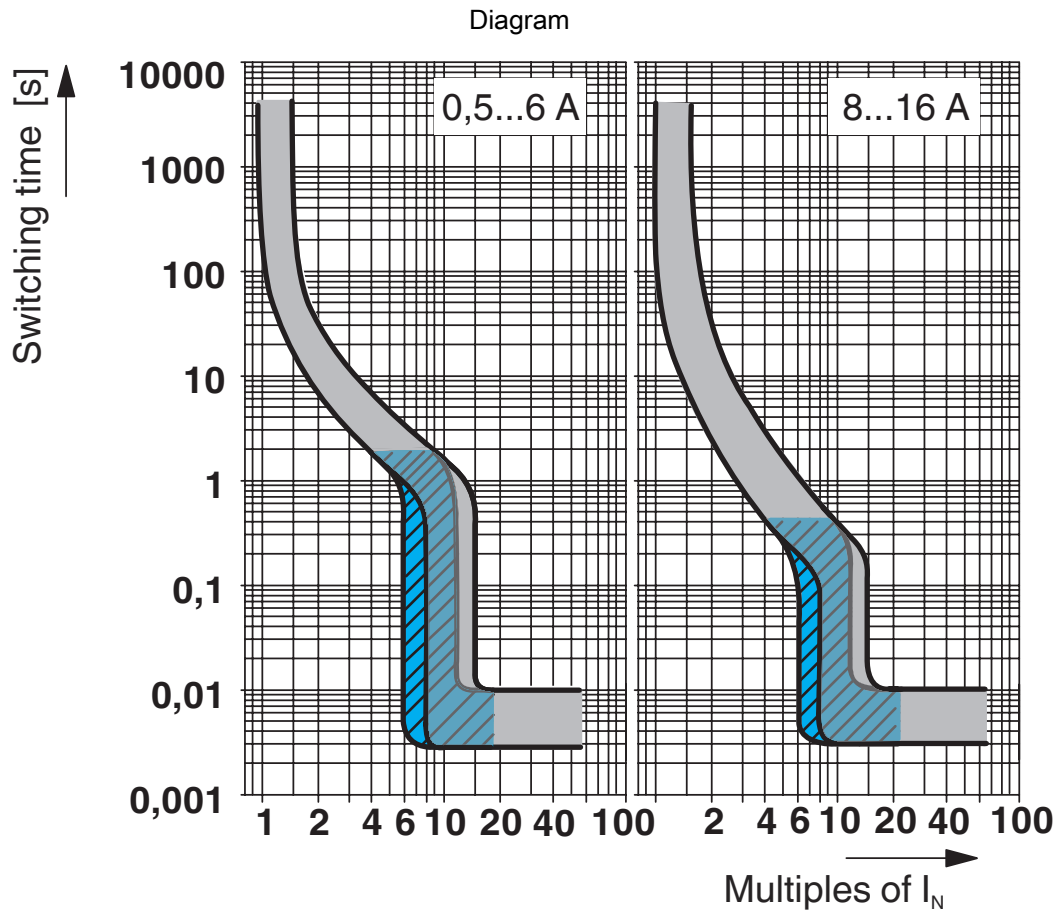
The figure shows the complete module consisting of a base element and connector

CB TM1 2A M1 P - Thermomagnetic device circuit breaker



2800848

<https://www.phoenixcontact.com/us/products/2800848>



Trigger characteristic
Gray: DC range, blue: AC range

CB TM1 2A M1 P - Thermomagnetic device circuit breaker



2800848

<https://www.phoenixcontact.com/us/products/2800848>

Approvals

To download certificates, visit the product detail page: <https://www.phoenixcontact.com/us/products/2800848>



cUL Recognized
Approval ID: FILE E 140459



UL Recognized
Approval ID: FILE E 140459



EAC
Approval ID: EAC-Zulassung



DNV GL
Approval ID: TAE00003C7



EAC
Approval ID: RU C-DE.*09.B.00169



VDE Zeichengenehmigung
Approval ID: 40034683



UL Listed
Approval ID: FILE E 172140



CCC
Approval ID: 2019010307158887



CSA
Approval ID: 2786957



cUL Listed
Approval ID: FILE E 172140



KC
Approval ID: SW05012-15001A

CB TM1 2A M1 P - Thermomagnetic device circuit breaker



2800848

<https://www.phoenixcontact.com/us/products/2800848>

UAE-RoHS

Approval ID: 22-09-50937

cULus Recognized

cULus Listed

CB TM1 2A M1 P - Thermomagnetic device circuit breaker



2800848

<https://www.phoenixcontact.com/us/products/2800848>

Classifications

ECLASS

ECLASS-11.0	27140401
ECLASS-12.0	27140401
ECLASS-13.0	27140401

ETIM

ETIM 8.0	EC003538
----------	----------

UNSPSC

UNSPSC 21.0	39121400
-------------	----------

CB TM1 2A M1 P - Thermomagnetic device circuit breaker



2800848

<https://www.phoenixcontact.com/us/products/2800848>

Environmental Product Compliance

China RoHS	Environmentally friendly use period: unlimited = EFUP-e
	No hazardous substances above threshold values

CB TM1 2A M1 P - Thermomagnetic device circuit breaker



2800848

<https://www.phoenixcontact.com/us/products/2800848>

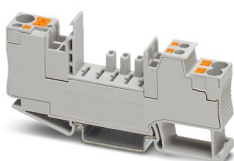
Mandatory Accessories

CB 1/6-2/4 PT-BE - Base element

2800929

<https://www.phoenixcontact.com/us/products/2800929>

Base element with push-in connection technology for CB ... device circuit breakers

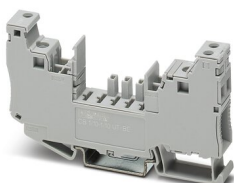


CB 1/10-1/10 UT-BE - Base element

2801305

<https://www.phoenixcontact.com/us/products/2801305>

Base element with screw connection technology for CB... device circuit breakers



CB TM1 2A M1 P - Thermomagnetic device circuit breaker



2800848

<https://www.phoenixcontact.com/us/products/2800848>

CB S-BE - Base element

2905067

<https://www.phoenixcontact.com/us/products/2905067>



Solder base element for PCB mounting for accommodating CB TM... or CB E... device circuit breakers

Accessories

ZBF 12:UNBEDRUCKT - Zack Marker strip, flat

0809735

<https://www.phoenixcontact.com/us/products/0809735>



Zack Marker strip, flat, Strip, white, unlabeled, can be labeled with: PLOTMARK, CMS-P1-PLOTTER, mounting type: snapped, for terminal block width: 12 mm, lettering field size: 5.15 x 12.15 mm, Number of individual labels: 5

CB TM1 2A M1 P - Thermomagnetic device circuit breaker



2800848

<https://www.phoenixcontact.com/us/products/2800848>

ZBF 12 CUS - Zack Marker strip, flat

0825018

<https://www.phoenixcontact.com/us/products/0825018>



Zack Marker strip, flat, can be ordered: Strip, white, labeled according to customer specifications, mounting type: snap into flat marker groove, for terminal block width: 12 mm, lettering field size: 5.15 x 12.15 mm, Number of individual labels: 5

Phoenix Contact 2023 © - all rights reserved

<https://www.phoenixcontact.com>

Phoenix Contact USA
586 Fulling Mill Road
Middletown, PA 17057, United States
(+717) 944-1300
info@phoenixcon.com