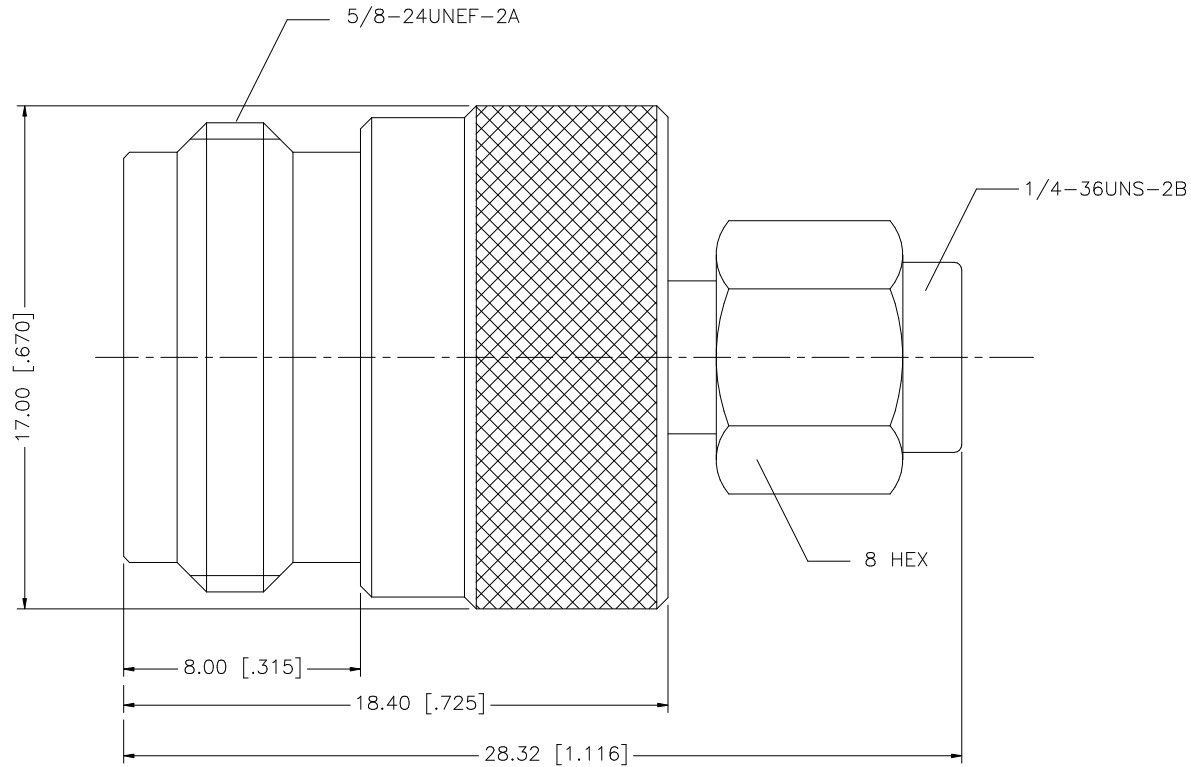


| REV. | DATE | DESCRIPTION |
|------|----------|-----------------------|
| NC | 01/08/97 | INITIAL RELEASE |
| A | 06/10/07 | UPDATE DRAWING FORMAT |



| | | | | |
|---|-------------|--------------|---------|-----|
| 8 | | | | |
| 7 | | | | |
| 6 | | | | |
| 5 | | | | |
| 4 | | | | |
| 3 | CONTACT PIN | PHOS. BRONZE | GOLD | 1 |
| 2 | INSULATOR | TEFLON | NATURAL | 1 |
| 1 | BODY | BRASS | NICKEL | 1 |
| | DESCRIPTION | MATERIAL | FINISH | QTY |

UNLESS OTHERWISE SPECIFIED DIMENSIONS ARE IN MILLIMETERS, DIMENSIONS IN [] ARE IN INCHES AND FOR CUSTOMER REFERENCE ONLY.

UNLESS OTHERWISE SPECIFIED TOLERANCES FOR MILLIMETERS ARE:
0.5 - 8mm ± 0.20mm
8 - 30mm ± 0.40mm
30 - 120mm ± 0.50mm

UNLESS OTHERWISE SPECIFIED TOLERANCES FOR INCHES ARE:
.020 - .315 ± ± 0.007"
.315 - 1.180 ± ± 0.015"
1.180 - 4.724 ± ± 0.020"

DO NOT SCALE DRAWING

| APPROVALS | DATE |
|--------------|-------------------|
| DRAWN G.R.S. | 06/10/07 |
| CHECKED | |
| ISSUED | |
| SHEET 1 OF 1 | |
| CAD FILE | C:/242/242112.DWG |

| | | | |
|--|------------|-------|----|
| <h1>Amphenol Connex</h1> | | | |
| PART DESCRIPTION SMA MALE TO N FEMALE ADAPTER | | | |
| - | | | |
| PART NO. 242112 | | | |
| DWG. NO. | 242112.DWG | REV. | A |
| SIZE | A | SCALE | NA |