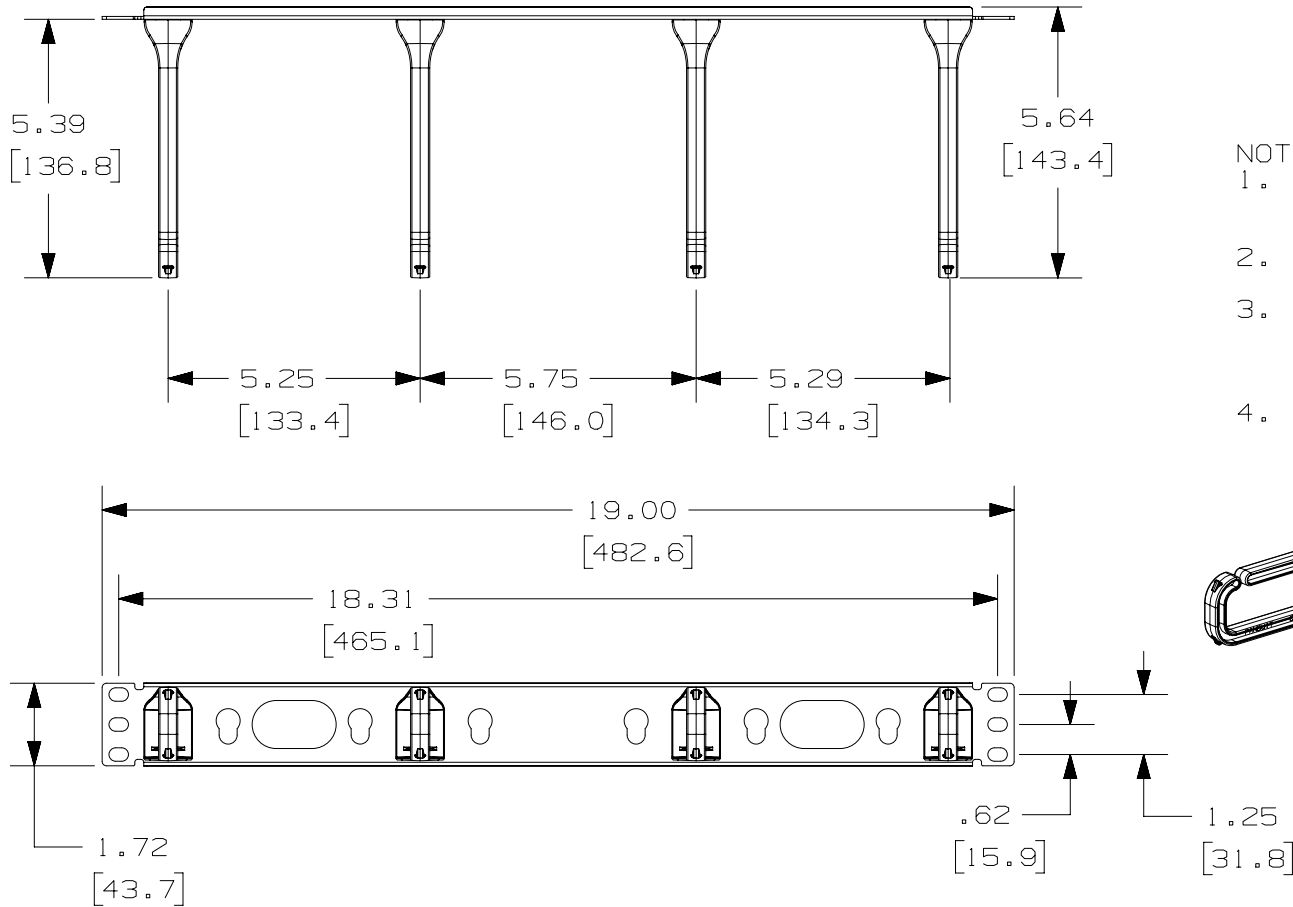


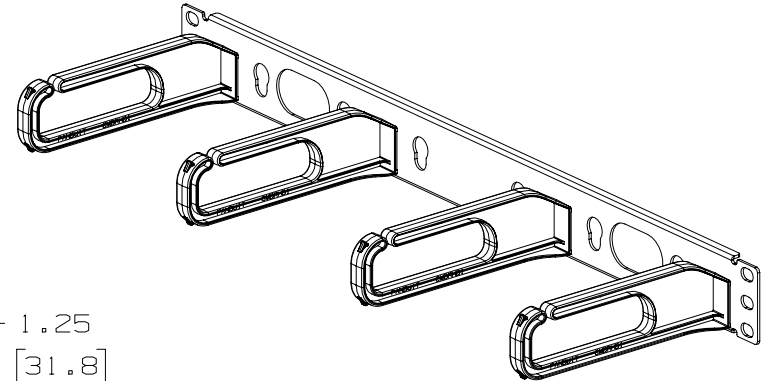
THIS COPY IS PROVIDED ON A RESTRICTED BASIS AND IS NOT TO BE USED IN ANY WAY DETRIMENTAL TO THE INTERESTS OF PANDUIT CORP.



PANDUIT P/N	WEIGHT
CMPHHF1	.71 LB/EACH PC .3 kg/EACH PC

NOTES:

- SEE CATALOG FOR COMPLETE LIST OF PARTS APPLICABLE FOR USE WITH THIS PART.
- DIMENSIONS IN PARENTHESES ARE IN METRIC.
- PARTS INCLUDED:
4 - D-RINGS
1 - METAL STAMPING
4 - 12-24 SCREWS
- FOR OPTIONAL SNAP ON COVER USE PART NUMBER CMPHIC.



REV	DATE	BY	CHK	APR	DESCRIPTION	ECN
02A	3-26-15	TWV	MACA	KRKE	BOM ADJUSTMENT; REVISED NOTES.	00671-14
01B	4-1-13	BAME	FGR	CMK	REVISED AND REDRAWN; ALL PREVIOUS REVS OMITTED UPDATED TITLE BLOCK	00671-14

TITLE OPEN CABLE MANAGEMENT PANEL HORIZONTAL HIGH DENSITY (CMPHHF1) CUSTOMER DRAWING	
ITEM REVISION NAME M00671AF/02	PANDUIT
DATASET FILE NAME M00671AF_DC/02A	
UNLESS OTHERWISE SPECIFIED, DIMENSIONAL TOLERANCES ARE: IN (mm)	
MATERIAL: STAMPING- BLACK POWDER COATED C.R.S.	
D-RINGS- BLACK PC	
DRAWING NUMBER: 00671-14	
DRAWN BY SJA	DATE 12-17-99
CHK DABE	SCALE NONE
THIRD ANGLE PROJECTION	
SHT 1 OF 1	
SIZE A	

D10100DA/15

Mouser Electronics

Authorized Distributor

Click to View Pricing, Inventory, Delivery & Lifecycle Information:

[Panduit:](#)

[CMPHHF1](#)