



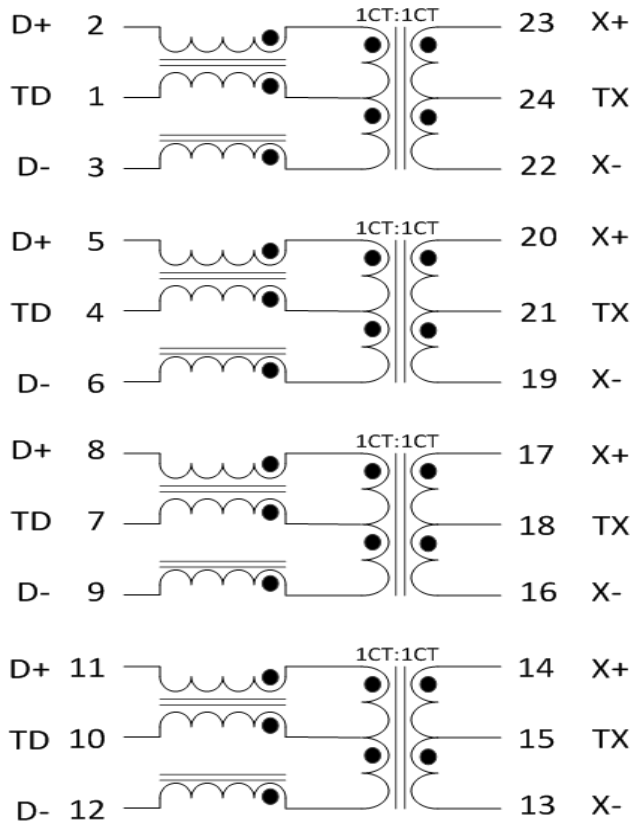
# Spezifikation für Freigabe / specification for release

Kunde / customer :  
 Artikelnummer / part number : **749023010A**  
 Bezeichnung : **LAN-Übertrager WE-LAN**  
 description : **LAN-Transformer WE-LAN**



DATUM / DATE : 2018-10-15

## H Schaltbild / Schematics :



Freigabe erteilt / general release:	<b>Kunde / customer</b>			
		JaB	Revision 05	2018-10-15
		JaB	Revision 04	2015-01-26
Datum / date	Unterschrift / signature	LuRa	Revision 03	2014-07-28
	<b>Würth Elektronik</b>	LuRa	Revision 02	2014-01-20
		Mle	Revision 01	2013-04-22
		Mle	Revision 00	2012-11-09
Geprüft / checked	Kontrolliert / approved	Name	Änderung / modification	Datum / date

### Würth Elektronik eiSos GmbH & Co.KG

D-74638 Waldenburg · Max-Eyth-Straße 1 - 3 · Germany · Telefon (+49) (0) 7942 - 945 - 0 · Telefax (+49) (0) 7942 - 945 - 400  
<http://www.we-online.com>

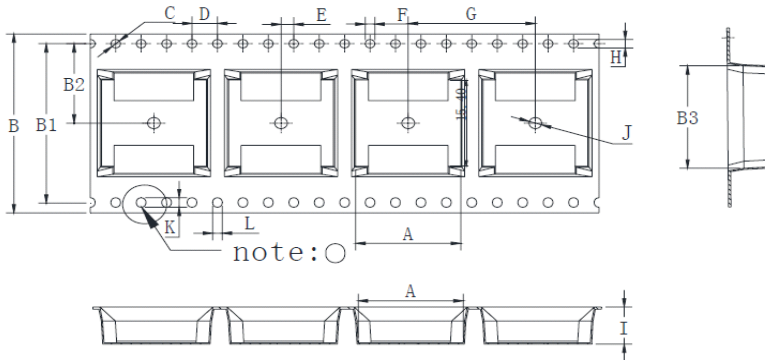
# Spezifikation für Freigabe / specification for release

Kunde / customer :  
 Artikelnummer / part number : **749023010A**  
 Bezeichnung : **LAN-Übertrager WE-LAN**  
 description : **LAN-Transformer WE-LAN**



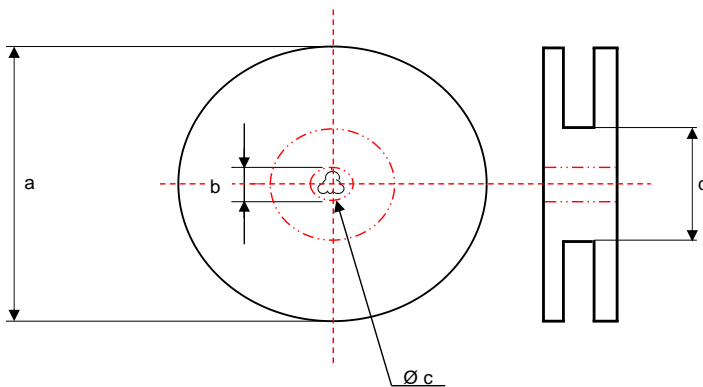
DATUM / DATE : 2018-10-15

## I Rollenspezifikation / tape and reel specification :



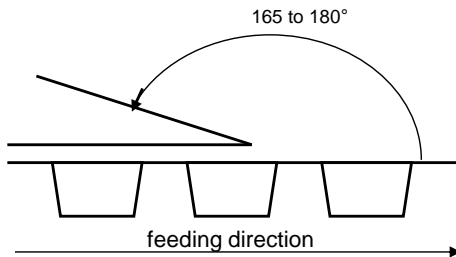
### Gurtspezifikation / Tape specification:

A	16,50 ± 0,10	mm
B	32,00 ± 0,30	mm
B1	28,40 ± 0,10	mm
B2	14,20 ± 0,10	mm
B3	17,93 ± 0,10	mm
C	1,50 + 0,10/-0	mm
D	4,00 ± 0,10	mm
E	2,00 ± 0,10	mm
F	1,50 + 0,10/-0	mm
G	20,00 ± 0,10	mm
H	1,50 + 0,10/-0	mm
I	6,60 ± 0,10	mm
J	2,00 + 0,10/-0	mm
K	1,70 + 0,10/-0	mm
L	1,50 + 0,10/-0	mm



### Rollenspezifikation / Reel specification:

a	330,0 ± 2,0	mm
b	21,00 ± 0,8	mm
c	13,50 ± 0,5	mm
d	100,0 ± 1,0	mm



The force for tearing off cover tape is 40 to 120 grams in arrow direction

**Packing quantity:**  
 400 pcs/reel  
 4000 pcs/carton

Freigabe erteilt / general release:	<b>Kunde / customer</b>		
.....			
Datum / date	Unterschrift / signature		
.....	<b>Würth Elektronik</b>		
.....			
Geprüft / checked	Kontrolliert / approved		
.....			
	Name	Änderung / modification	Datum / date

This electronic component has been designed and developed for usage in general electronic equipment. Before incorporating the component into any equipment where higher safety and reliability is especially required or if there is the possibility of direct damage or injury to human body, for example in the range of aerospace, aviation, nuclear control, submarine, transportation, (automotive control, train control, ship control), transportation signal, disaster prevention, medical, public information network etc, Würth Elektronik eiSos GmbH must be informed before the design-in stage. In addition, sufficient reliability evaluation checks for safety must be performed on every electronic component which is used in electrical circuits that require high safety and reliability functions or performance.

## Würth Elektronik eiSos GmbH & Co.KG

D-74638 Waldenburg · Max-Eyth-Straße 1 - 3 · Germany · Telefon (+49) (0) 7942 - 945 - 0 · Telefax (+49) (0) 7942 - 945 - 400  
<http://www.we-online.com>

# Mouser Electronics

Authorized Distributor

Click to View Pricing, Inventory, Delivery & Lifecycle Information:

[Wurth Elektronik:](#)

[749023010A](#)