

LIGHT

SKU:U021



Description

LIGHT is a light intensity sensor unit with an adjustable photoresistor.

A photoresistor is a light-controlled variable resistor. The resistance of a photoresistor decreases with increasing incident light intensity and vice versa. The sensor exhibits photoconductivity which make it possible to detect the light varies based on voltage and use an AD (Analog to digital converter) to convert the digital data.

We added some extra work to strengthen the circuit, a Dual Differential Comparators **LM393**, compares the differential voltage between the photoresistor and the varistor. It could offer larger and accuracy range of light intensity.

Product Features

- 10K adjustable resistor
- Software Development Platform: Arduino, UIFlow(Blocky,Python)
- Two Lego-compatible holes

Include

- 1x LIGHT Unit
- 1x Grove Cable

Specification

Resources	Parameter
Adjustable Resistance	10K
Net weight	4g
Gross weight	17g
Product Size	32*24*8*mm
Package Size	67*53*12mm

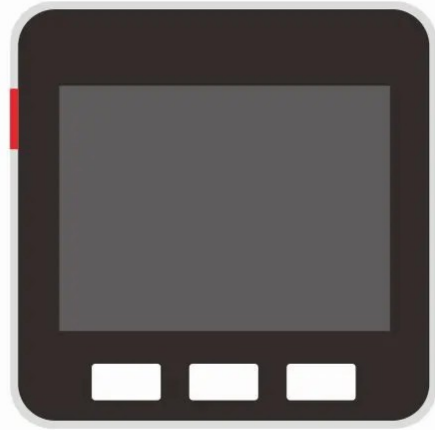
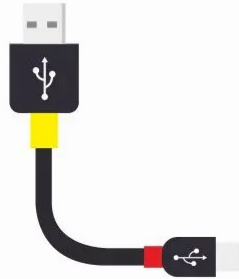
EasyLoader

EasyLoader is a concise and fast program writer, which has a built-in case program related to the product. It can be burned to the main control by simple steps to perform a series of function verification. Please install the corresponding driver according to the device type. M5Core host [Please click here to view the CP210X driver installation tutorial](#), M5StickC/V/T/ATOM series can be used without driver)

2, Select COM



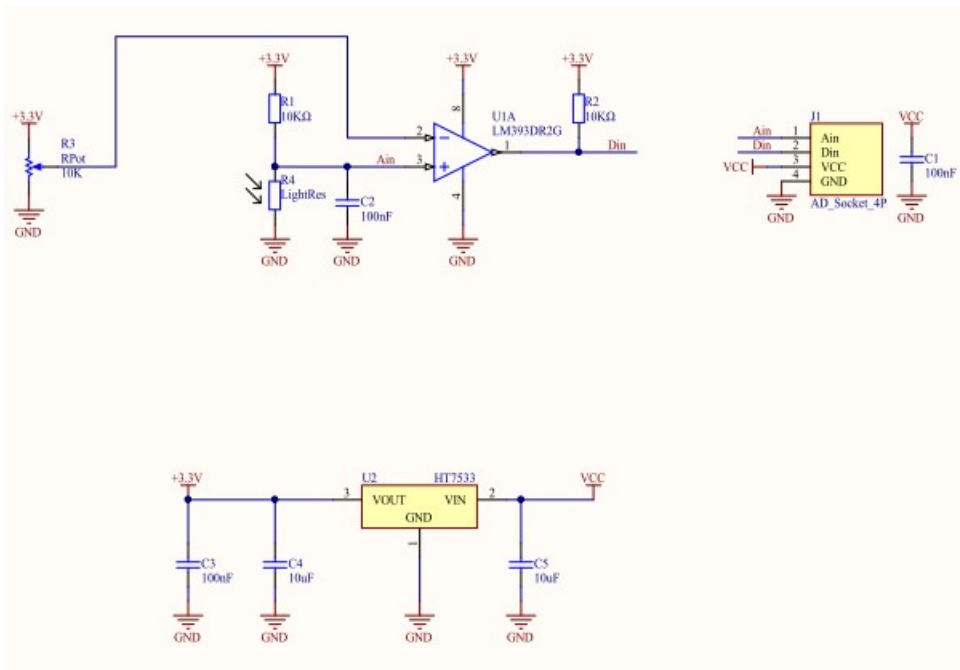
1, Downloads



Core \ M5StickC \ M5StickV...

3, Burn Firmware

Windows MacOS



PinMap

M5Core(GROVE B)	GPIO36	GPIO26	5V	GND
LIGHT Unit	Analog Signal Pin	Digital Signal Pin	5V	GND

Example

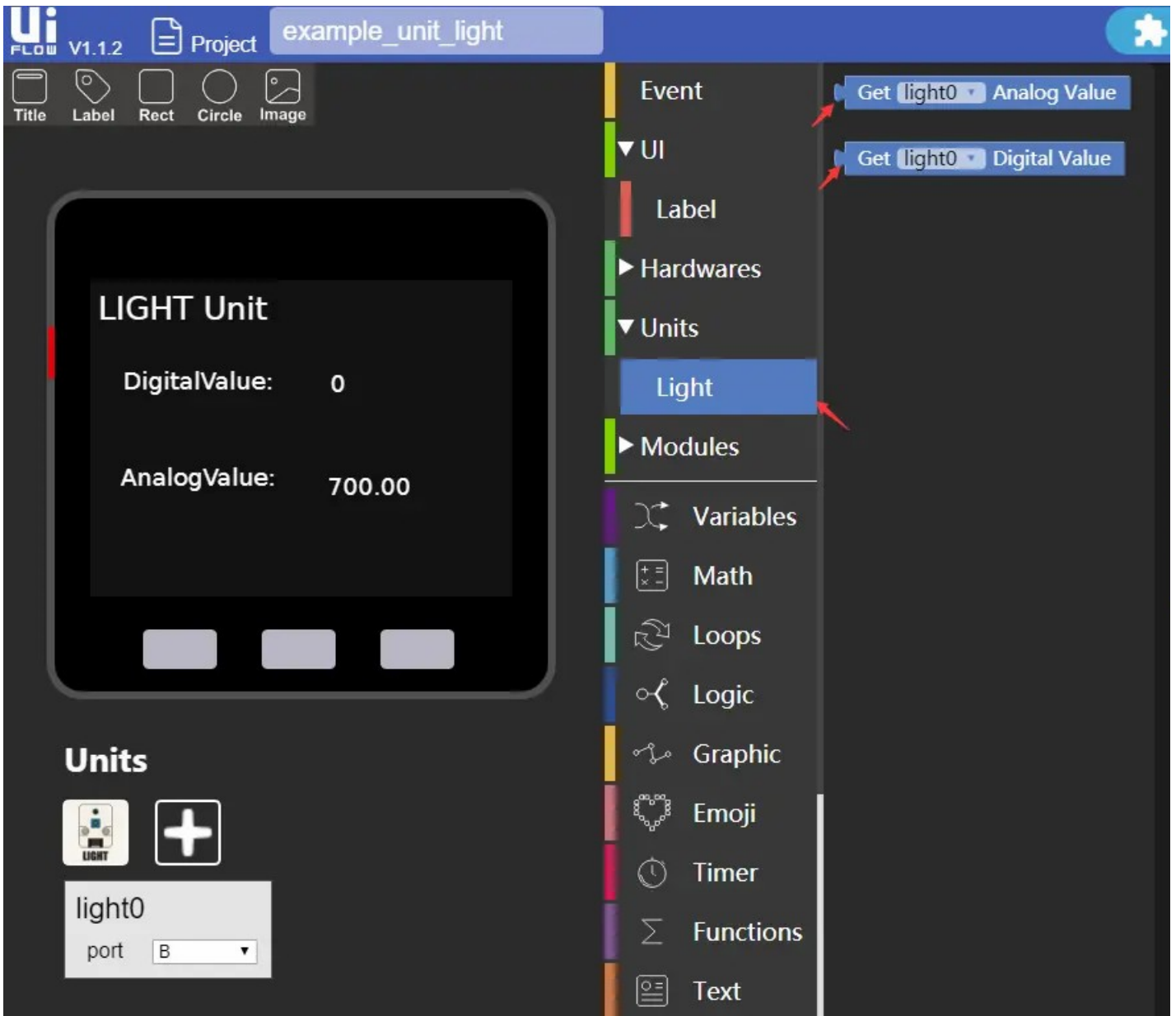
1. Arduino

The code below is incomplete. To complete code, please click [here](#)



2. UIFlow

- [Click here to download the UIFlow example](#)



| Video

LIGHT - Tutorial

Last updated: 2020-12-14