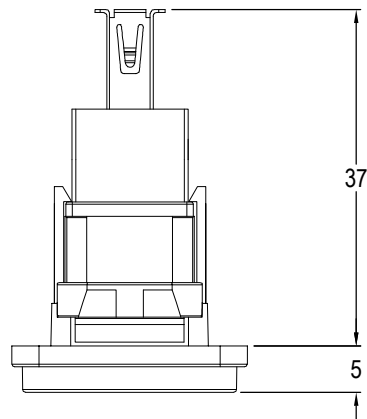
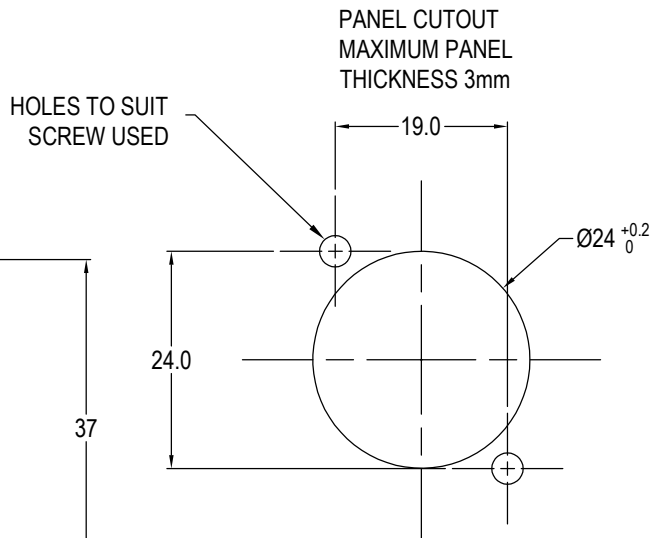


ISS.	AMEND	DATE
1	1st DRAWN	04/09/15
2	PICTURE UPDATED	10/11/16
3	ADD M3 VARIANT	29/05/18



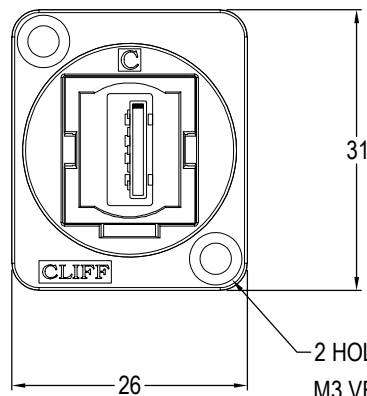
**Material:**

1. Insert: ABS
2. Frame: Nickel plated zinc diecast
3. Shell: Nickel plated steel
4. Contacts: Gold Plated

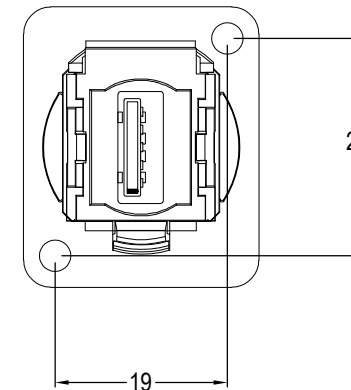
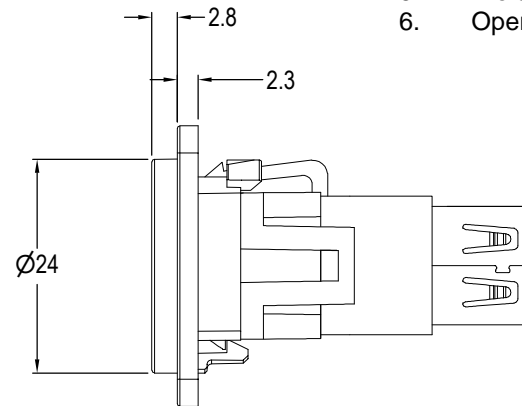
**Notes:**

1. Voltage rating: 30V AC
2. Current rating: 1.8 A max
3. Contact resistance: 50m $\Omega$  max
4. Insulation resistance: 20M $\Omega$  min
5. Dielectric withstanding voltage: 500V AC
6. Operating Temperature: -20°C to 50°C

VARIANTS	
PART No.	HOLE DETAILS
CP30205NM	HOLE $\varnothing 3.50$ x CSK 82° x $\varnothing 5.85$
CP30205NM3	M3 HOLES



2 HOLES:  $\varnothing 3.5$ mm CSK 82° x  $\varnothing 5.85$   
M3 VERSION HAS M3 THREAD HOLES.



**RoHS**  
COMPLIANT

**TOLERANCE**  
NO DEC. PLACE  $\pm$   
1 DEC. PLACE  $\pm$   
2 DEC. PLACE  $\pm$   
HOLE  $\varnothing$   $\pm$   
ANGLES  $\pm$   
UNLESS  
OTHERWISE STATED

DO NOT SCALE

**Cliff Electronic Components Ltd.**

76 Holmethorpe Avenue, Holmethorpe Industrial Estate,  
Redhill, Surrey, RH1 2PF, England, UK  
Tel: 01737-771375 Fax: 01737-766012 Website: www.cliffuk.co.uk

THE CONTENTS OF THIS DOCUMENT MUST NOT BE COPIED OR DISCLOSED  
TO A 3rd PARTY WITHOUT WRITTEN PERMISSION OF CLIFF UK. © 2015

DIMENSIONS IN MILLIMETERS UNLESS OTHERWISE STATED. WORK TO DIMENSIONS. REMOVE ALL BURRS. IF IN DOUBT ASK.

3rd ANGLE PROJECTION:

MATERIAL: See Notes

FINISH: See Notes

DRAWN: D.P.J.

APPROVED: D.P.J.

TITLE: FT METAL USB 3.0 A to USB 3.0 A

DRWG. No. **CP30205NM**

FORM: A4DRWG1