



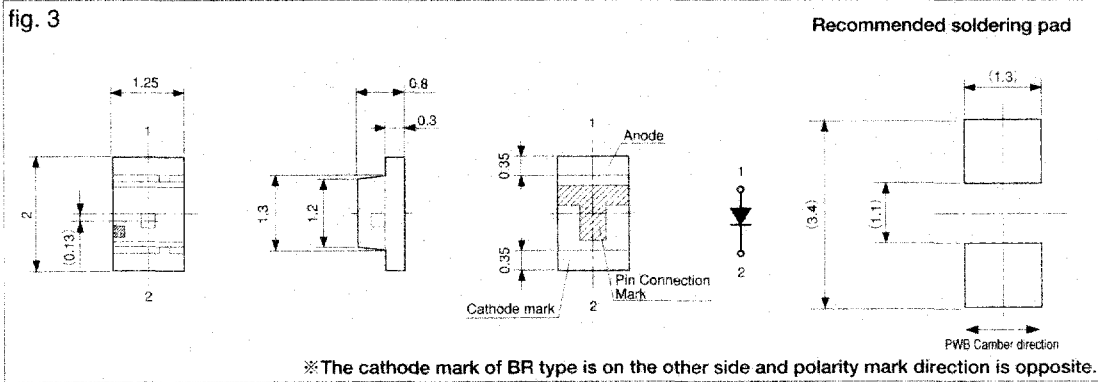
▼SURFACE MOUNT LED

Ta=25°C

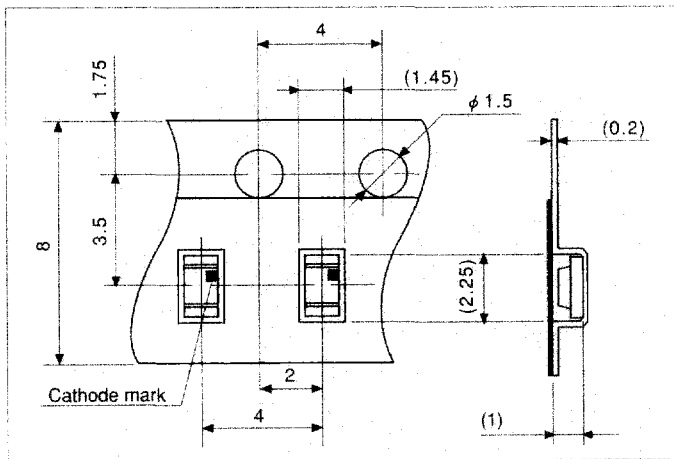
Lens Type	Shape	Type No.	Emitted Color	Package Color	Peak Wave Length (nm)	Luminous Intensity (mcd)			Spatial Distribution (The typical distribution example of BR type is shown below.)	Fig.
						MIN.	TYP.	(IF=20mA)		
Flat lens type		BR1112H	Red	Milky White	660	7.0	11.7	20		3
		AA1112H	Orange		605	2.2	3.7	20		
		AY1112H	Yellow		580	2.2	3.7	20		
		PY1112H			570	7.0	11.7	20		
		PG1112H	Green		560	3.8	6.4	20		
		BG1112H	Pure Green		555	1.6	2.7	20		

▼PACKAGE DIMENSIONS Unit : mm

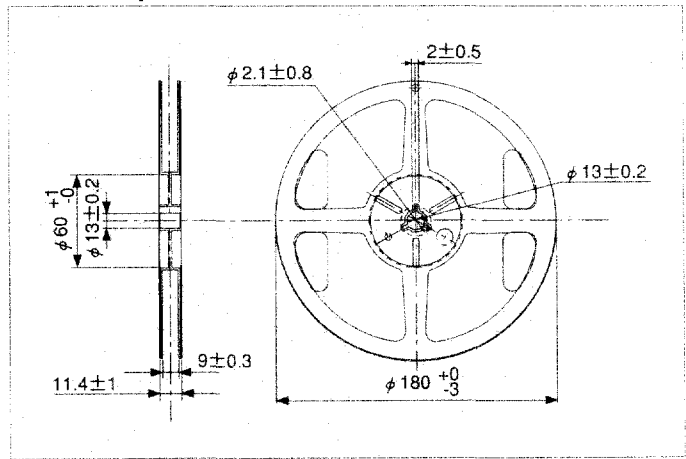
Tolerance : ±0.1mm



▼Taping specification Unit : mm



▼Reel specification Unit : mm



※Quantity 4,000(Pcs/Reel)

Mouser Electronics

Authorized Distributor

Click to View Pricing, Inventory, Delivery & Lifecycle Information:

[Stanley Electric:](#)

[AA1112H-TR](#) [PY1112H-TR](#)