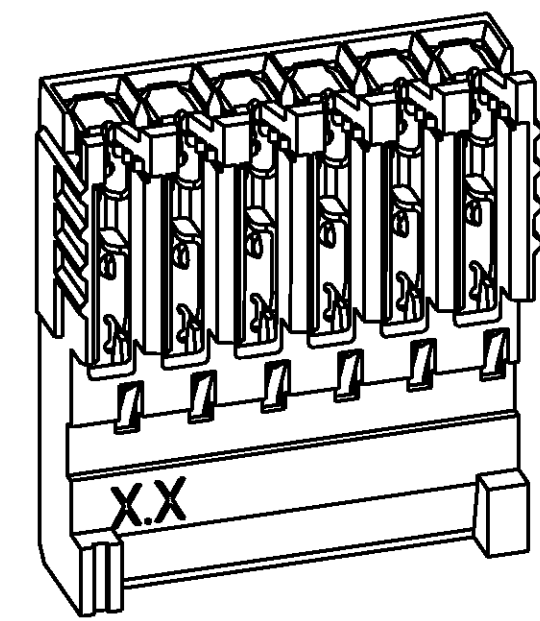
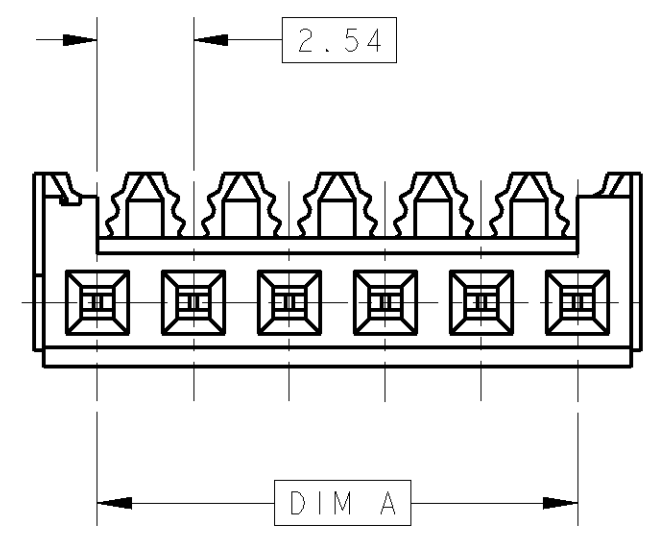


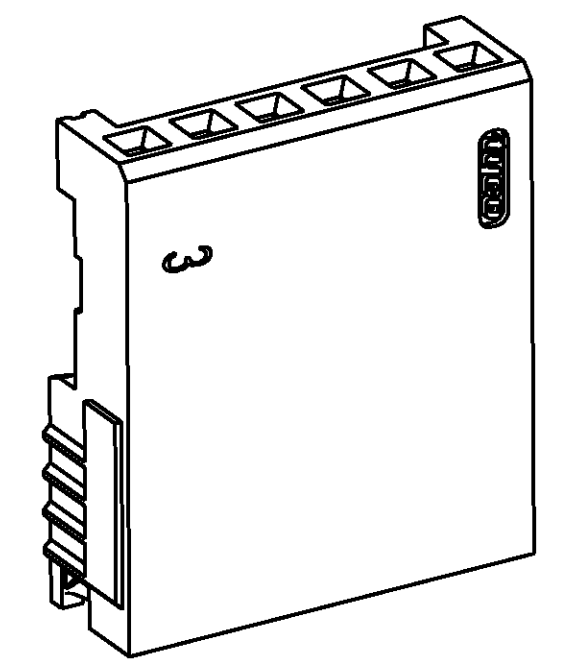
THIS DRAWING IS UNPUBLISHED. DIFFUSION RESTREINTE
 RELEASED FOR PUBLICATION LIBRE A LA DIFFUSION
 ALL RIGHTS RESERVED. TOUS DROITS RESERVES

| | |
|---|-----------------------------------|
| FILS ADMISSIBLES (ACCEPTABLES WIRES) | |
| JAUGE (AWG) SECTION / 7 BRINS (7 STRANDS) | 26-24 0.12-0.22mm ² |
| ISOLANT: Ø MAX / MATIERE (INSUL.: Ø MAX / MAT'L) | Ø 1.2 / PVC |

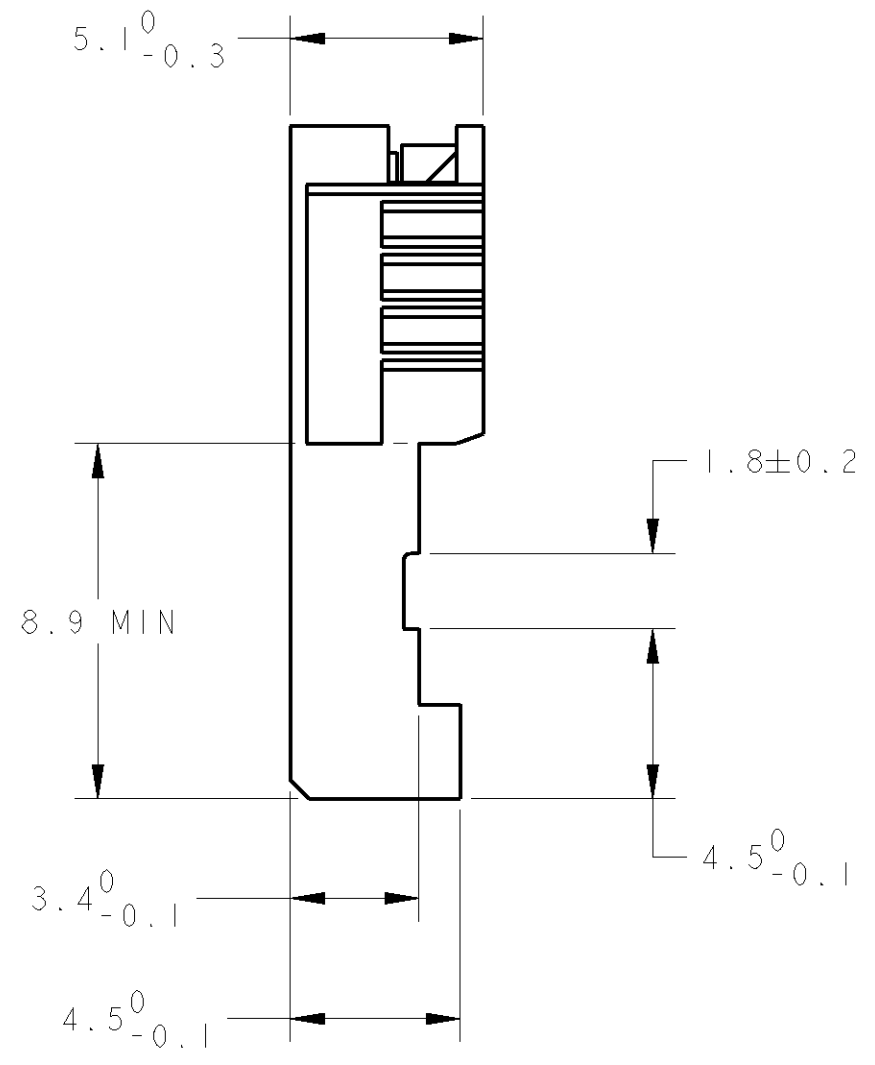
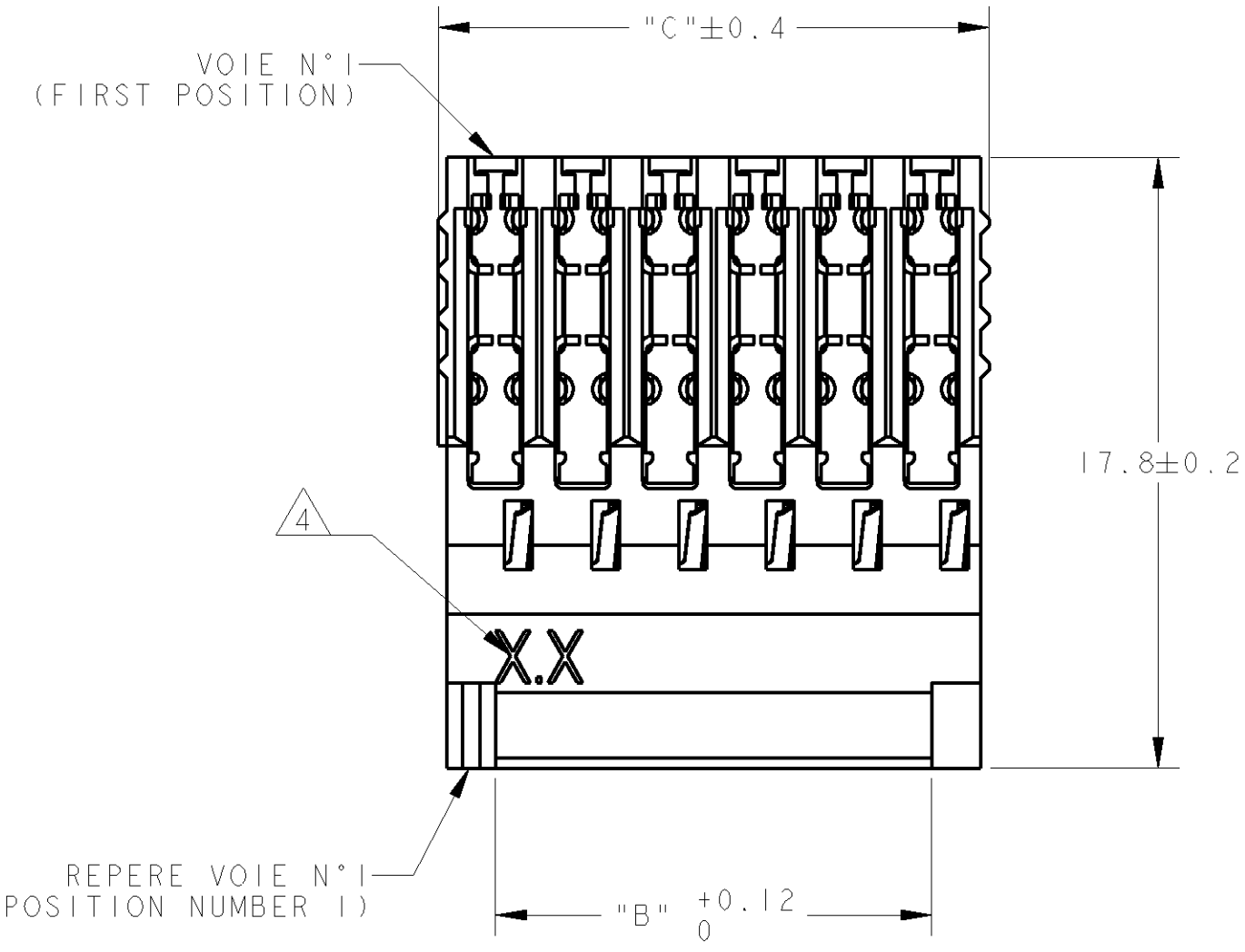
| | | | | | |
|----------|-----------|------------------------------|---------|--------------|--------------|
| LOC F | DIST 7 | REVISIONS | | | |
| P | LTR | DESCRIPTION MODIFICATIONS | DATE | DWN DESS. | APVD APP. |
| | D1 | REVISED PER ECO-11-005150 | 27APR11 | RK | HMR |



ECHELLE 4:1
SCALE



ECHELLE 4:1
SCALE



1 CES CONNECTEURS SONT PREVUS POUR ETRE ACCOUPLES AVEC LES EMBASES 'HE1402' SIMPLE RANGEE

(THESE CONNECTEURS ARE DESIGNED TO BE MATED WITH 'HE1402' HEADERS SINGLE ROW)

2 LES REFERENCES SUIVIES D'UN ' * ' SONT LES VERSIONS NORMALISEES SELON LA 'CEI 603-8'

(THE PART-NO FOLLOWED BY ' * ' ARE COVERED BY THE INTERNATIONAL STANDARD 'IEC603-8')

3 REVETEMENT DES CONTACTS: ETAME

(CONTACTS PLATING: TIN)

4 "X.X" EST REMPLACE PAR LES DEUX DEUXIEME CHIFFRES DU COUPLE DES JAUGES AWG

("X.X" REPLACED BY THE TWO SECOND DIGIT OF AWG RANGE AS DEFINED IN TABLE)

5 MATIERES - BOITIER: PBT UL94V0
- CONTACTS: BRONZE PHOSPHOREUX.

(MATERIAL - HOUSING : PBT UL94V0
- CONTACTS: PHOSPHOR BRONZE)

| | | | | |
|------------|-------|-----------|----------------------|---|
| 46.52 | 43.18 | 18 | 1-281783-8 | * |
| 38.90 | 35.56 | 15 | 1-281783-5 | * |
| 31.28 | 27.94 | 12 | 1-281783-2 | * |
| 26.20 | 22.86 | 10 | 1-281783-0 | * |
| 21.12 | 17.78 | 8 | 0-281783-8 | * |
| 16.04 | 12.70 | 6 | 0-281783-6 | * |
| 13.50 | 10.16 | 5 | 0-281783-5 | * |
| 10.96 | 7.62 | 4 | 0-281783-4 | * |
| 8.42 | 5.08 | 3 | 0-281783-3 | * |
| 5.88 | 2.54 | 2 | 0-281783-2 | * |
| C | A, B | Nb DE POS | REFERENCES (PART No) | |
| DIMENSIONS | | | | |

| | | | |
|--|--|---|--|
| DWN/DESSINE 29NOV2000 C. COMBEDOUZON | | TE Connectivity | |
| CHK/VERIFIE 29NOV2000 T. CORRIOU | | HE 1402 PLUG, 180 deg IDC SINGLE ROW | |
| APVD/APPROUVE 29NOV2000 Y. PETRONIN | | NAME TITRE | |
| PRODUCT SPEC SPEC, PRODUIT 108-15053 | | SIZE FORMAT A2 | |
| APPLICATION SPEC SPEC, APPLICATION 114-15031 | | CAGE CODE 00779 | |
| WEIGHT MASSE APPROX. - | | DRAWING NO No PLAN C-281783 | |
| MATERIAL/MATIERE | | UNIQUEMENT POUR REFERENCE | |
| FINISH/FINITION | | SCALE ECHELLE 5:1 | |
| CUSTOMER DRAWING /PLAN CLIENT | | SHEET FEUILLE OF DE | |
| | | REV D1 | |

Mouser Electronics

Authorized Distributor

Click to View Pricing, Inventory, Delivery & Lifecycle Information:

[TE Connectivity:](#)

[281783-4](#)