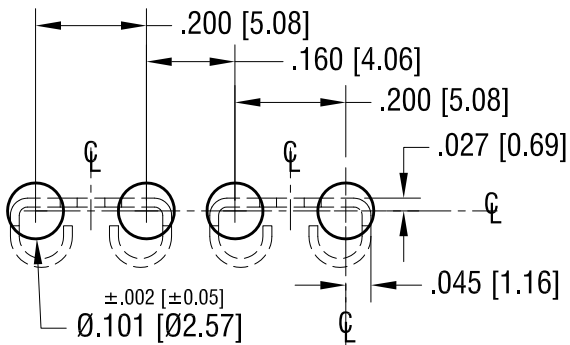
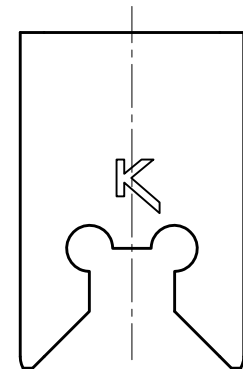
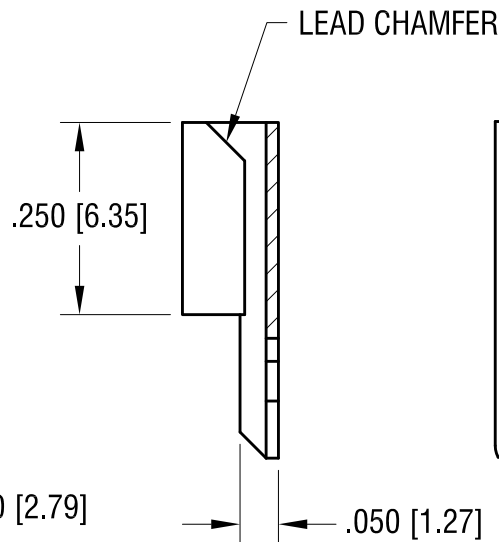
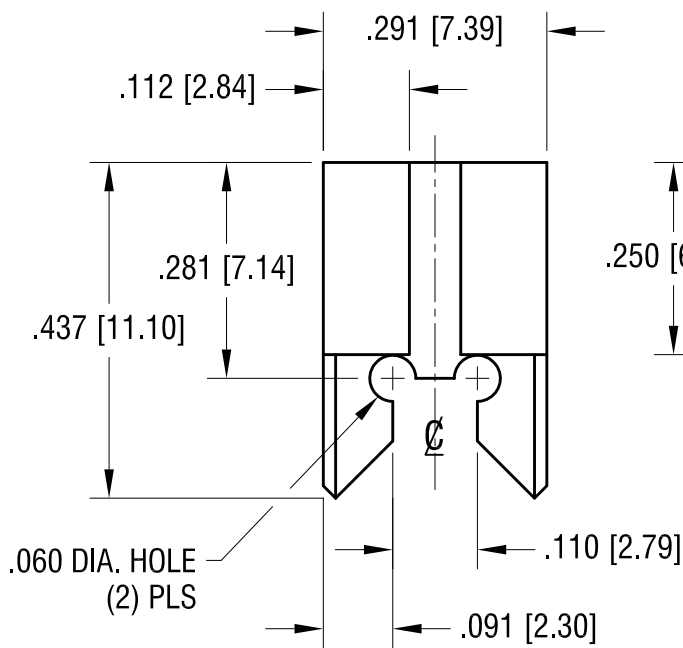
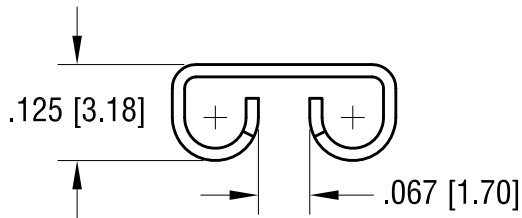
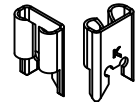


MOUNTING LAYOUT FOR TWO CLIPS



THIS DOCUMENT IS THE PROPERTY OF KEYSTONE ELECTRONICS CORP. AND SHALL NOT BE REPRODUCED, DISTRIBUTED OR USED AS A BASIS FOR MANUFACTURE WITHOUT PRIOR WRITTEN PERMISSION FROM KEYSTONE ELECTRONICS CORP.

ACTUAL SIZE



8.30.12	CHANGE AS PER ECN 12-121	D
9.23.04	ECN CHANGE AS PER 04-127	C
10.11.94	CHANGE AS PER ECR 94-057	B
DATE	DESCRIPTION	REV.

KEYSTONE ELECTRONICS CORP.			
www.keyelco.com • NEW HYDE PARK, NY 11040 • Tel (516) 328-7500			
PART NAME .250 x .032 PC QUICK-FIT TERMINAL			
MATERIAL .016 [0.40] TH'K BRASS			
FINISH TIN NICKEL PLATE		DRN BY BOONE	DATE 7.21.91
		APP'D LN	SCALE 4X
TOLERANCES DECIMAL ANGULAR	INCH [MM] ± .005 [± 0.13] ± 1°	CODE C	DWG NO. 3528
UNLESS OTHERWISE SPECIFIED			

Mouser Electronics

Authorized Distributor

Click to View Pricing, Inventory, Delivery & Lifecycle Information:

[Keystone Electronics:](#)

[3528](#)