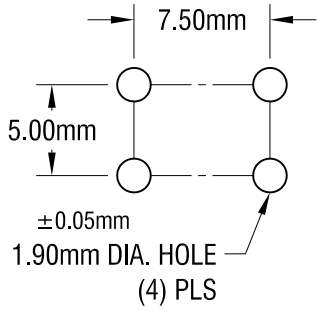
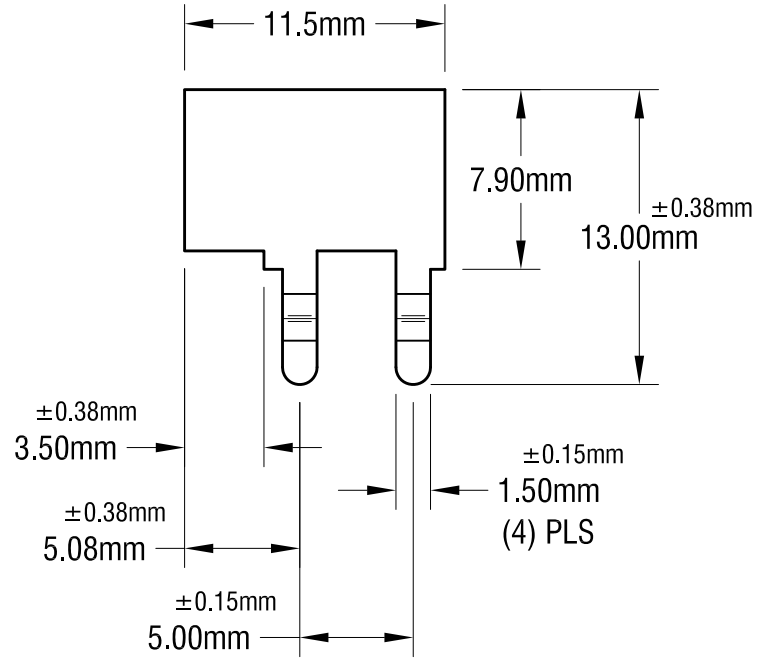
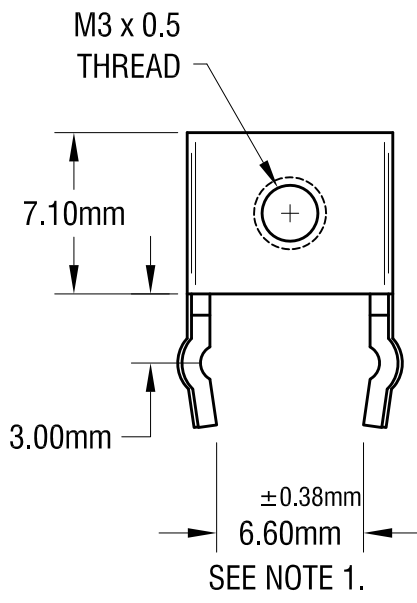
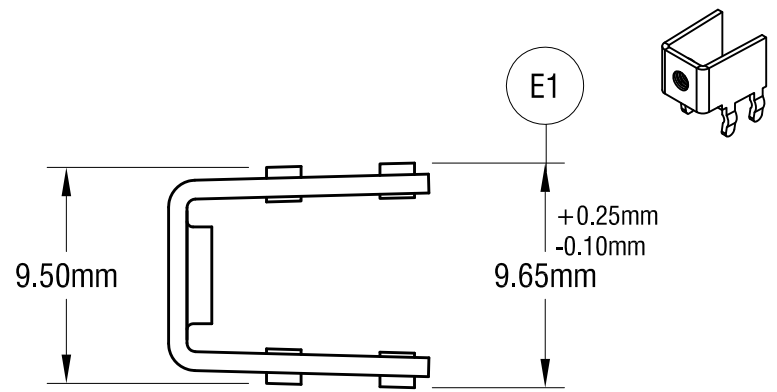


THIS DOCUMENT IS THE PROPERTY OF KEYSTONE ELECTRONICS CORP. AND SHALL NOT BE REPRODUCED, DISTRIBUTED OR USED AS A BASIS FOR MANUFACTURE WITHOUT PRIOR WRITTEN PERMISSION FROM KEYSTONE ELECTRONICS CORP.

MOUNTING DETAIL



ACTUAL SIZE



NOTE:
1. ALL DIMENSIONS ARE IN MILLIMETERS.

KEYSTONE ELECTRONICS CORP.			
www.keyelco.com • ASTORIA, N.Y. 11105-2017 • Tel (718) 956-8900			
10.28.20	WAS 9.50 mm CHANGE AS PER ECN 20-088	E	PART NAME PC METRIC SCREW TERMINAL
1.14.16	CHANGE AS PER ECN 16-003	D	MATERIAL 0.8mm TH'K BRASS
7.14.09	CHANGE AS PER ECN 09-101	C	FINISH MATTE TIN PLATE
2.1.08	CHANGE AS PER ECN 08-070	B	DRN BY BOONE DATE 9.27.01
DATE	DESCRIPTION	REV.	APP'D LN SCALE 3X
			TOLERANCES INCH [MM] DECIMAL \pm [±0.25] ANGULAR \pm 1° UNLESS OTHERWISE SPECIFIED
			CODE C DWG NO. 7790

Mouser Electronics

Authorized Distributor

Click to View Pricing, Inventory, Delivery & Lifecycle Information:

[Keystone Electronics:](#)

[7790](#)