

APPLICABLE P.C.B DIMENSION (REF.)
適合基板寸法 (参考)

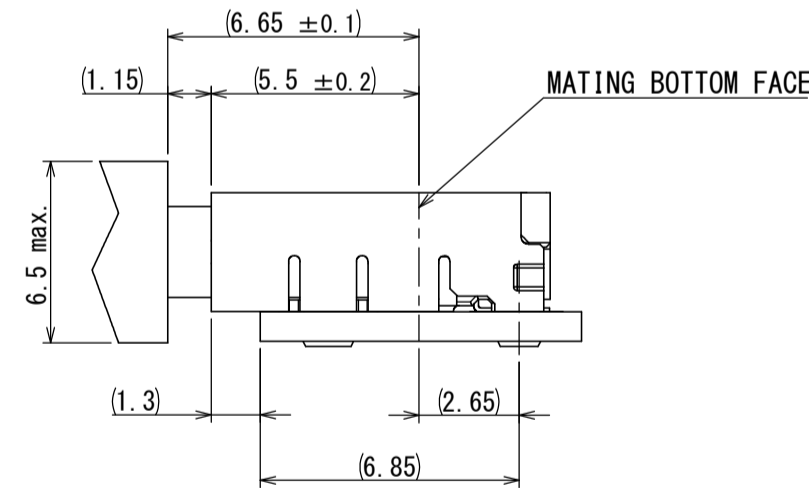
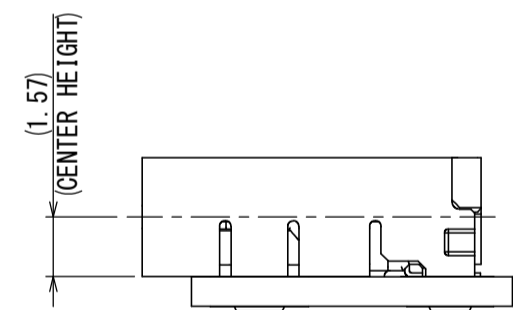
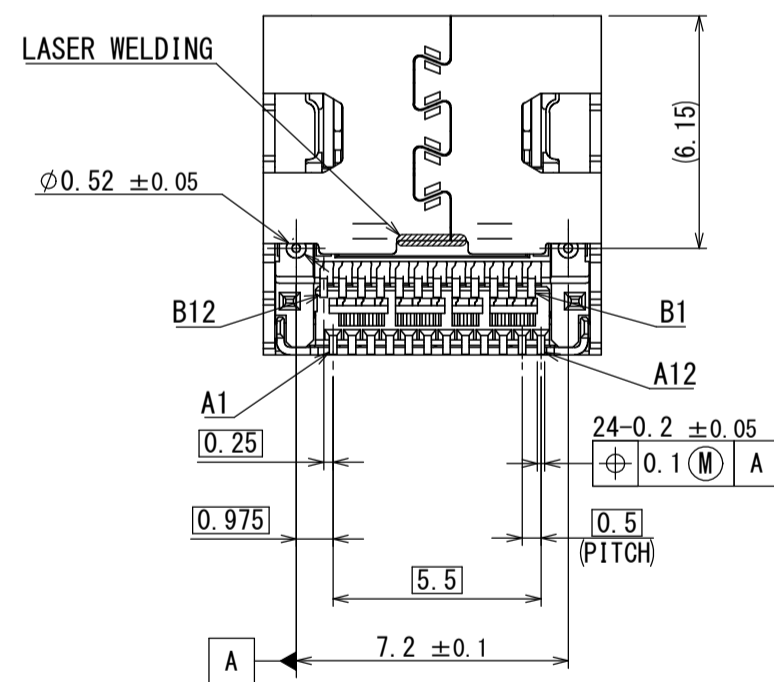
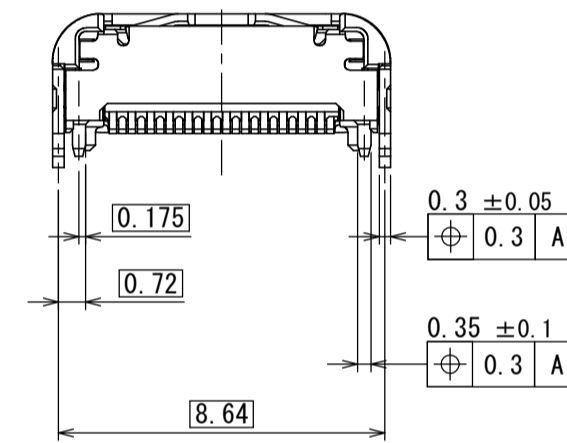
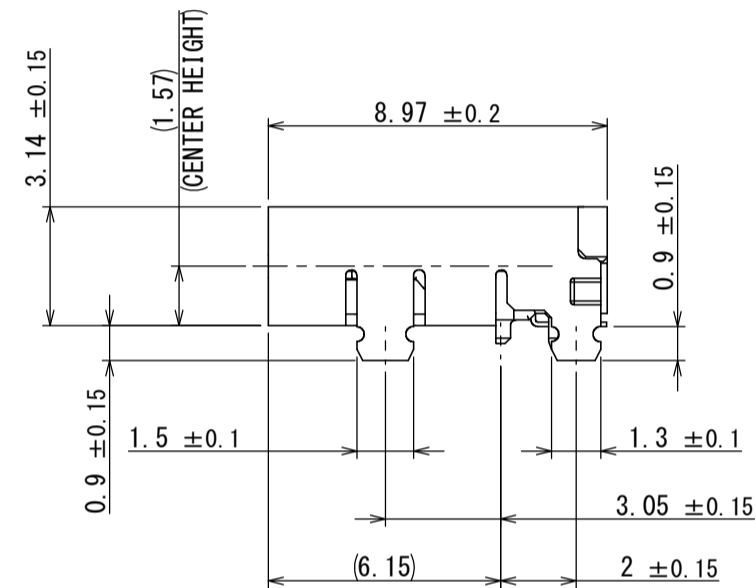
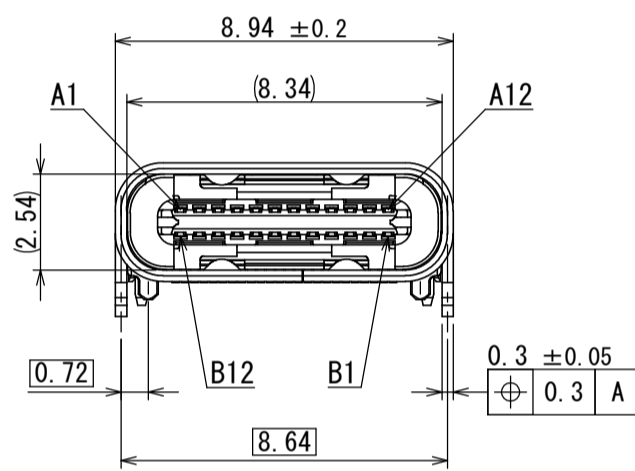


TABLE 1. CONTACT PLATING

| | FINISH | PLATING THICKNESS |
|--------------|--|---|
| CONTACT AREA | GOLD FLASH OVER PALLADIUM-NICKEL OVER NICKEL | NICKEL: 2 μm MIN. PALLADIUM-NICKEL: 0.75 μm MIN. GOLD FLASH: 0.05 μm MIN. |
| SOLDER TAILS | GOLD FLASH OVER NICKEL | NICKEL: 2 μm MIN. GOLD FLASH: 0.03 μm MIN. |

NOTE 1. THIS PRODUCT IS HALOGEN-FREE PRODUCT.
NOTE 2. COPLANARITY OF SMT TERMINAL IS 0.1 MAX.
NOTE 3. NO PCB ROUTING ALLOWED IN THIS AREA.
NOTE 4. THE SHELL LENGTH IS LESS THAN THE MINIMUM REFERENCES IN THE USB TYPE C STANDARD.
AS SUCH THE SYSTEM IMPLEMENTER IS RESPONSIBLE FOR ACHIEVING PRODUCT RELIABILITY.
THAT THE CONNECTOR BE MOUNTED SUCH THAT ALL FUNCTIONAL USB REQUIREMENTS ARE MET.
NOTE 5. LOT NUMBER IS MARKED AS INDICATED.

(EX) 5 Y 18 1
YEAR (END OF ONE DIGIT AT CHRISTIAN ERA)
MONTH (JAN. TO SEP.: 1 TO 9, OCT.: 0, NOV.: X, DEC.: Y)
DAY (TWO-DIGITS NUMBER)
EQUIPMENT No. (NUMBER OR ALPHABET)

NOTE 6. PIN ASSIGNMENT (FRONT VIEW)

| Pin No. | A1 | A2 | A3 | A4 | A5 | A6 | A7 | A8 | A9 | A10 | A11 | A12 |
|---------|-----|------|------|------------------|------|----|----|------|------------------|------|------|-----|
| | GND | TX1+ | TX1- | V _{BUS} | CC1 | D+ | D- | SBU1 | V _{BUS} | RX2- | RX2+ | GND |
| Pin No. | B12 | B11 | B10 | B9 | B8 | B7 | B6 | B5 | B4 | B3 | B2 | B1 |
| | GND | RX1+ | RX1- | V _{BUS} | SBU2 | D- | D+ | CC2 | V _{BUS} | TX2- | TX2+ | GND |

| 符号 No. | 名称 DESCRIPTION | 個数 QTY. | 材料 MATERIAL | 仕上 FINISH | 備考 REMARKS |
|-----------|-------------------|------------|------------------------|----------------|---------------|
| 8 | INSULATOR 2 | 1 | HEAT RESISTING PLASTIC | COLOR:BLACK | |
| 7 | REAR SHIELD | 1 | STAINLESS STEEL | NICKEL PLATING | |
| 6 | SHELL | 1 | STAINLESS STEEL | NICKEL PLATING | |
| 5 | GND PLATE | 2 | STAINLESS STEEL | NICKEL PLATING | |
| 4 | MID PLATE | 1 | STAINLESS STEEL | NICKEL PLATING | |
| 3 | INSULATOR 1 | 1 | HEAT RESISTING PLASTIC | COLOR:BLACK | |
| 2 | CONTACT B | 12 | COPPER ALLOY | TABLE 1 | |
| 1 | CONTACT A | 12 | COPPER ALLOY | TABLE 1 | |

| | | | | |
|---|-----------------------------------|---|--|--------------|
| 仕様書(SPECIFICATION) JACS-30353 | 第1版(ORIGINAL DATE) 18/DEC/2015 | 尺度(SCALE) 5:1 | シリーズ(SERIES) DX07 | 日本航空電子工業株式会社 |
| 製図 DR. | 担当 CHK. K. SAITOU | 名称(TITLE) DX07S024JJ4 | JAPAN AVIATION ELECTRONICS INDUSTRY, LTD. 図面番号(DRAWING NO.) SJ117264 | |
| 一般公差(GENERAL TOLERANCE) 寸法(DIMENSION): ±0.8 × ±0.4 ×× ±0.1 ××× ± | 角度(ANGLES) ×° ± ×' ± | 査閲 APPD. 承認 APPD. Y. SAITOU | | |
| 単位(UNIT): mm | | | | |

Mouser Electronics

Authorized Distributor

Click to View Pricing, Inventory, Delivery & Lifecycle Information:

[JAE Electronics:](#)

[DX07S024JJ4R1300](#)