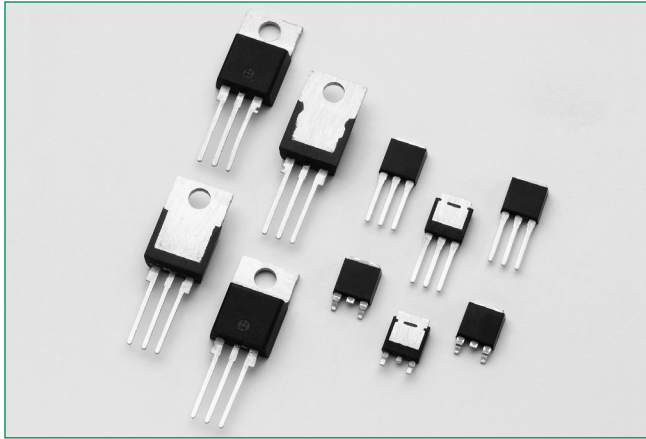


Lxx04xx & Qxx04xx Series



Agency Approval

Agency	Agency File Number
	E71639

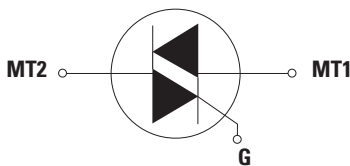
Note:
- L Package only.

Main Features

Symbol	Value	Unit
$I_{T(RMS)}$	4	A
V_{DRM}/V_{RRM}	400, 600, 800 or 1000	V
$I_{GT(Q1)}$	3 to 25	mA

Notes:
- 400V and 600V for Sensitive Triac (L Device Type)
- 400V, 600V, 800V, or 1000V for Standard Triac (Q Device Type)

Schematic Symbol



Description

The Lxx04xx and Qxx04xx are 4 Amp bidirectional solid state switch series. They are designed for AC switching and phase control applications such as motor speed and temperature modulation controls, lighting controls, and static switching relays.

Sensitive type devices guarantee gate control in Quadrants I & IV as needed for digital control circuitry.

Standard type devices normally operate in Quadrants I & III triggered from AC line.

Features & Benefits

- RoHS-compliant
- Glass – passivated junctions
- Voltage capability up to 1000 V
- Surge capability up to 55 A
- The L-package has an isolation rating of 2500V_{RMS}
- Solid-state switching eliminates arcing or contact bounce that creates voltage transients
- No contacts to wear out from reaction of switching events
- Restricted (or limited) RFI generation, depending on activation point of sine wave
- Requires only a short gate activation pulse in each half-cycle

Applications

Typical applications are AC solid-state switches, power tools, home/brown goods and white goods appliances.

Sensitive gate Triacs can be directly driven by microprocessor or popular opto-couplers/isolators.

Internally constructed isolated packages are offered for ease of heat sinking with highest isolation voltage.

Absolute Maximum Ratings — Sensitive Triacs (4 Quadrants)

Symbol	Parameter	Value	Unit
$I_{T(RMS)}$	RMS on-state current (full sine wave)	Lxx04Ly $T_c = 90^\circ\text{C}$	4 A
		Lxx04Ry/Lxx04Vy/Lxx04Dy $T_c = 95^\circ\text{C}$	
I_{TSM}	Non repetitive surge peak on-state current (full cycle, T_j initial = 25°C)	f = 50 Hz t = 20 ms	A
		f = 60 Hz t = 16.7 ms	
I^2t	I^2t Value for fusing	$t_p = 8.3$ ms	6.6 A ² s
di/dt	Critical rate of rise of on-state current ($I_G = 50$ mA with $\leq 0.1\mu\text{s}$ rise time)	f = 120 Hz $T_j = 110^\circ\text{C}$	50 A/ μs
I_{GTM}	Peak gate trigger current	$t_p = 20\mu\text{s}$ $T_j = 110^\circ\text{C}$	4 A
$P_{G(AV)}$	Average gate power dissipation	$T_j = 110^\circ\text{C}$	0.3 W
T_{stg}	Storage temperature range	-	-40 to 150 °C
T_j	Operating junction temperature range	-	-40 to 110 °C

Note: xx = voltage/10, y = sensitivity

Absolute Maximum Ratings — Standard Triacs

Symbol	Parameter	Value	Unit	
$I_{T(RMS)}$	RMS on-state current (full sine wave)	Qxx04Ly $T_c = 105^\circ\text{C}$	4	A
		Qxx04Ry/Qxx04Vy/Qxx04Dy $T_c = 110^\circ\text{C}$		
I_{TSM}	Non repetitive surge peak on-state current (full cycle, T_j initial = 25°C)	f = 50 Hz t = 20 ms	46	A
		f = 60 Hz t = 16.7 ms	55	
I^2t	I^2t Value for fusing	$t_p = 8.3$ ms	12.5	A^2s
di/dt	Critical rate of rise of on-state current ($I_G = 50\text{mA}$ with $\leq 0.1\mu\text{s}$ rise time)	f = 120 Hz $T_j = 125^\circ\text{C}$	50	$\text{A}/\mu\text{s}$
I_{GTM}	Peak gate trigger current	$t_p = 20\mu\text{s}$ $T_j = 125^\circ\text{C}$	4	A
$P_{G(AV)}$	Average gate power dissipation	$T_j = 125^\circ\text{C}$	0.3	W
T_{stg}	Storage temperature range		-40 to 150	$^\circ\text{C}$
T_j	Operating junction temperature range		-40 to 125	$^\circ\text{C}$

Note: xx = voltage/10, y = sensitivity

Electrical Characteristics ($T_j = 25^\circ\text{C}$, unless otherwise specified) — Sensitive Triac (4 Quadrants)

Symbol	Test Conditions	Quadrant	Lxx04x3	Lxx04x5	Lxx04x6	Lxx04x8	Unit
I_{GT}	$V_D = 12\text{V}$ $R_L = 60\ \Omega$	I – II – III	3	5	5	10	mA
		IV	3	5	10	20	
V_{GT}	$V_D = 12\text{V}$ $R_L = 60\ \Omega$	ALL	1.3				V
V_{GD}	$V_D = V_{DRM}$ $R_L = 3.3\ \text{k}\Omega$ $T_j = 110^\circ\text{C}$	ALL	0.2				V
I_H	$I_T = 100\text{mA}$	MAX.	5	10	10	15	mA
dv/dt	$V_D = V_{DRM}$ Gate Open $T_j = 100^\circ\text{C}$	400V	25	25	30	35	$\text{V}/\mu\text{s}$
		600V	15	15	20	25	
(dv/dt)c	(di/dt)c = 2.16 A/ms $T_j = 110^\circ\text{C}$	TYP.	0.5	1	1	1	$\text{V}/\mu\text{s}$
t_{gt}	$I_G = 2 \times I_{GT}$ PW = 15 μs $I_T = 5.6\ \text{A(pk)}$	TYP.	2.8	3.0	3.0	3.2	μs

Electrical Characteristics ($T_j = 25^\circ\text{C}$, unless otherwise specified) — Standard Triac

Symbol	Test Conditions	Quadrant	Qxx04x3	Qxx04x4	Unit
I_{GT}	$V_D = 12\text{V}$ $R_L = 60\ \Omega$	I – II – III	10	25	mA
		IV	25	50	
V_{GT}	$V_D = 12\text{V}$ $R_L = 60\ \Omega$	I – II – III	1.3	1.3	V
V_{GD}	$V_D = V_{DRM}$ $R_L = 3.3\ \text{k}\Omega$ $T_j = 125^\circ\text{C}$	ALL	0.2	0.2	V
I_H	$I_T = 200\text{mA}$	MAX.	20	30	mA
dv/dt	$V_D = V_{DRM}$ Gate Open $T_j = 125^\circ\text{C}$	400V	40	75	$\text{V}/\mu\text{s}$
		600V	30	50	
		800V		40	
	$V_D = V_{DRM}$ Gate Open $T_j = 100^\circ\text{C}$	1000V		50	
(dv/dt)c	(di/dt)c = 2.16 A/ms $T_j = 125^\circ\text{C}$	TYP.	2	2	$\text{V}/\mu\text{s}$
t_{gt}	$I_G = 2 \times I_{GT}$ PW = 15 μs $I_T = 5.6\ \text{A(pk)}$	TYP.	2.5	3.0	μs
dv/dt	$V_D = 2/3\ V_{DRM}$ Gate Open $T_j = 125^\circ\text{C}$	800V	40	-	$\text{V}/\mu\text{s}$

Note: xx = voltage/10, x = package

Static Characteristics ($T_J = 25^\circ\text{C}$, unless otherwise specified)

Symbol	Test Conditions				Value	Unit	
V_{TM}	$I_{TM} = 5.6\text{A}$ $t_p = 380\ \mu\text{s}$		MAX.		1.60	V	
I_{DRM} I_{RRM}	$V_{DRM} = V_{RRM}$	MAX.	Lxx04xy	$T_J = 25^\circ\text{C}$	400-600V	5	μA
				$T_J = 110^\circ\text{C}$	400-600V	200	μA
			Qxx04xy	$T_J = 25^\circ\text{C}$	400-1000V	10	μA
				$T_J = 125^\circ\text{C}$	400-800V	2	mA
	$T_J = 100^\circ\text{C}$	1000V	3				

Thermal Resistances

Symbol	Parameter	Value	Unit
$R_{\theta(J-C)}$	Junction to case (AC)	L/Qxx04Dy	1.5
		L/Qxx04Ly	3.5
		L/Qxx04Ry	2.2
		L/Qxx04Vy	1.5
$R_{\theta(J-A)}$	Junction to ambient	L/Qxx04Ly	50
		L/Qxx04Ry	45
		L/Qxx04Vy	70

Note: xx = voltage/10, x = package, y = sensitivity

Figure 1: Definition of Quadrants

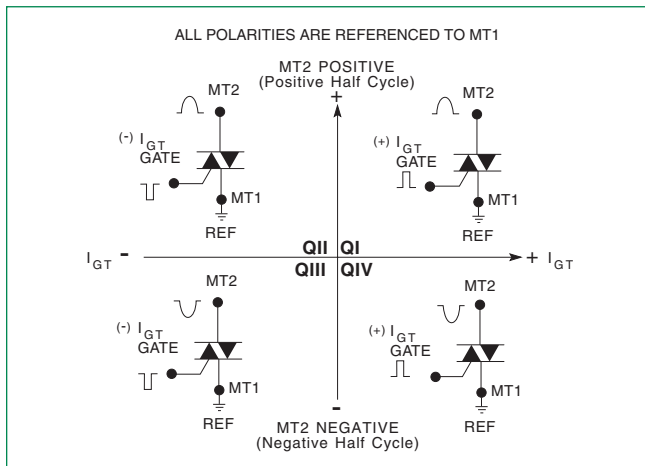


Figure 2: Normalized DC Gate Trigger Current for All Quadrants vs. Junction Temperature

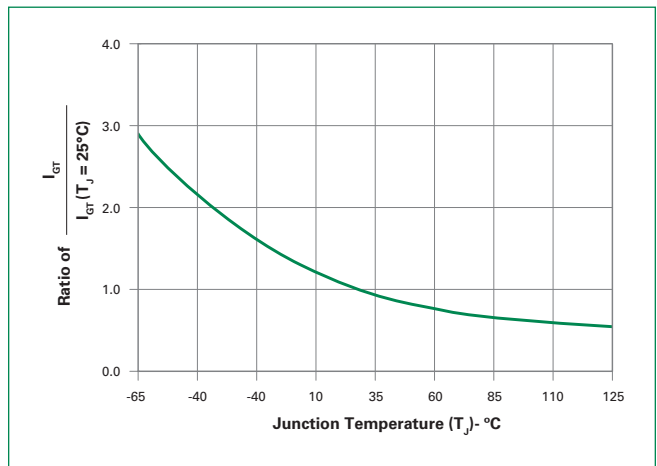


Figure 3: Normalized DC Holding Current vs. Junction Temperature

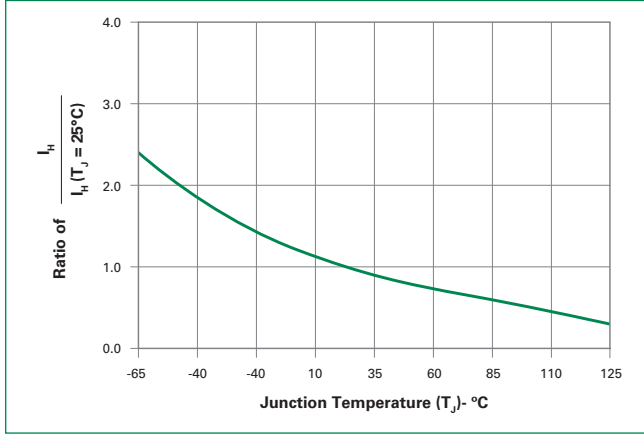


Figure 4: Normalized DC Gate Trigger Voltage for All Quadrants vs. Junction Temperature

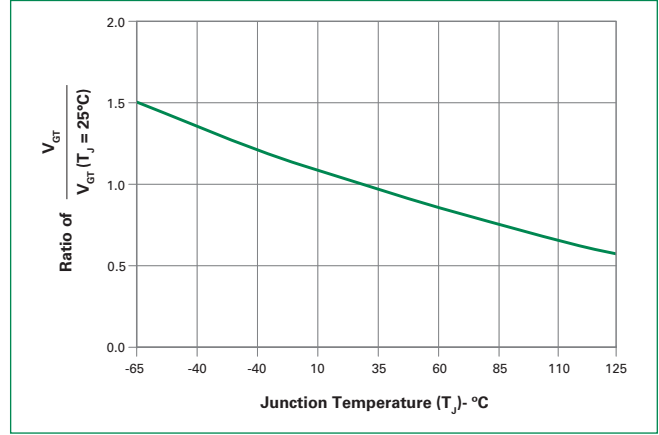


Figure 5: Power Dissipation (Typical) vs. RMS On-State Current

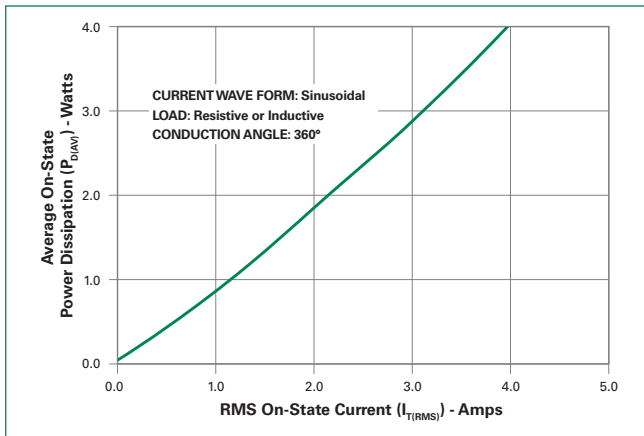


Figure 6: Maximum Allowable Case Temperature vs. On-State Current

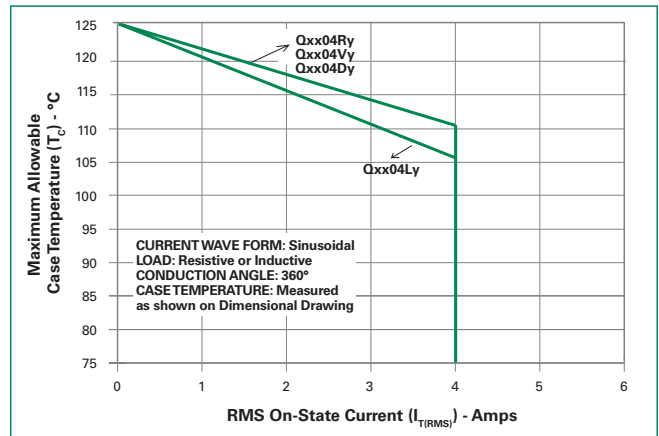


Figure 7: Maximum Allowable Case Temperature vs. On-State Current

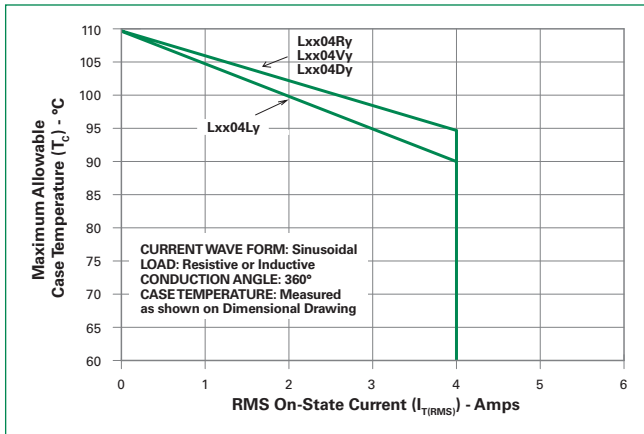
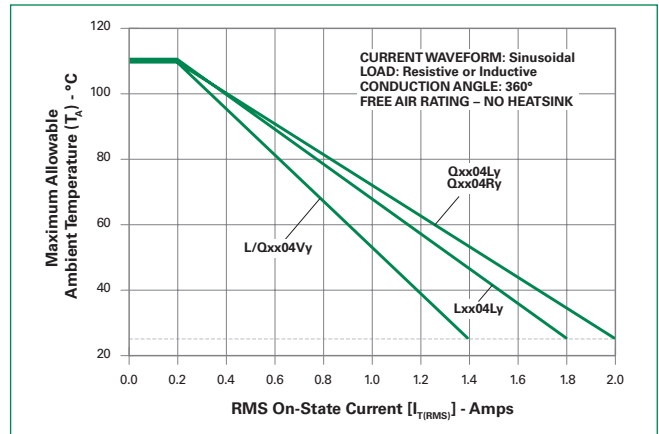


Figure 8: Maximum Allowable Ambient Temperature vs. On-State Current



Note: xx = voltage/10, γ = sensitivity

Figure 9: On-State Current vs. On-State Voltage (Typical)

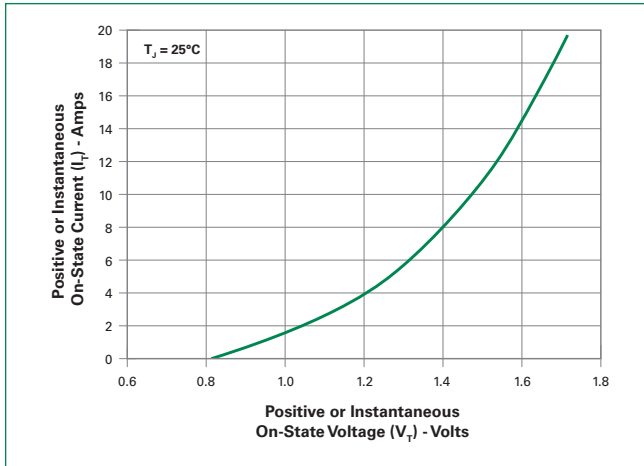
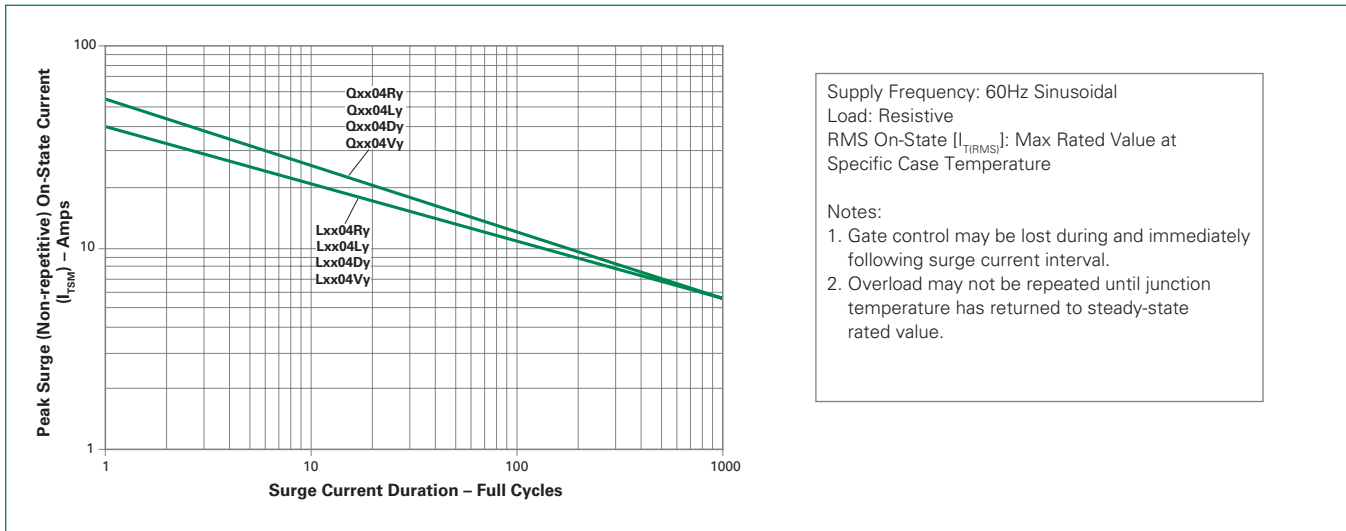


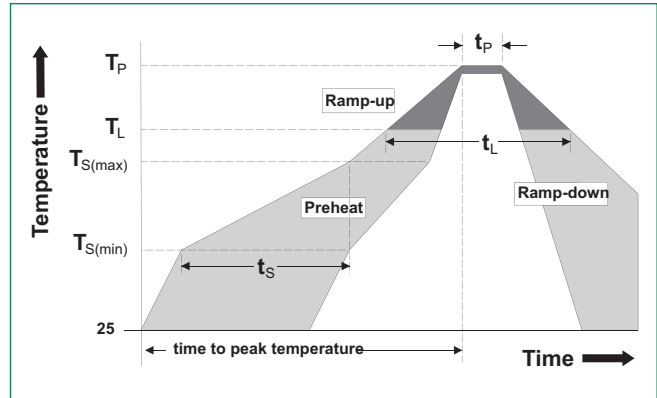
Figure 10: Surge Peak On-State Current vs. Number of Cycles



Note: xx = voltage/10, y = sensitivity

Soldering Parameters

Reflow Condition		Pb – Free assembly
Pre Heat	- Temperature Min ($T_{s(min)}$)	150°C
	- Temperature Max ($T_{s(max)}$)	200°C
	- Time (min to max) (t_s)	60 – 120 secs
Average ramp up rate (Liquidus Temp) (T_L) to peak		3°C/second max
$T_{s(max)}$ to T_L - Ramp-up Rate		3°C/second max
Reflow	- Temperature (T_L) (Liquidus)	217°C
	- Temperature (t_L)	60 – 150 seconds
Peak Temperature (T_p)		260°C ^{+0/-5}
Time within 5°C of actual peak Temperature (t_p)		30 seconds
Ramp-down Rate		6°C/second max
Time 25°C to peak Temperature (T_p)		8 minutes Max.
Do not exceed		260°C



Physical Specifications

Terminal Finish	100% Matte Tin-plated
Body Material	UL Recognized compound meeting flammability rating V-0
Terminal Material	Copper Alloy

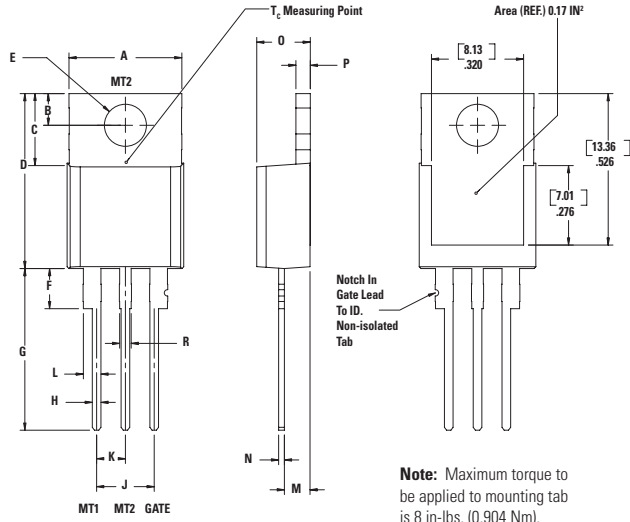
Design Considerations

Careful selection of the correct component for the application's operating parameters and environment will go a long way toward extending the operating life of the Thyristor. Good design practice should limit the maximum continuous current through the main terminals to 75% of the component rating. Other ways to ensure long life for a power discrete semiconductor are proper heat sinking and selection of voltage ratings for worst case conditions. Overheating, overvoltage (including dv/dt), and surge currents are the main killers of semiconductors. Correct mounting, soldering, and forming of the leads also help protect against component damage.

Environmental Specifications

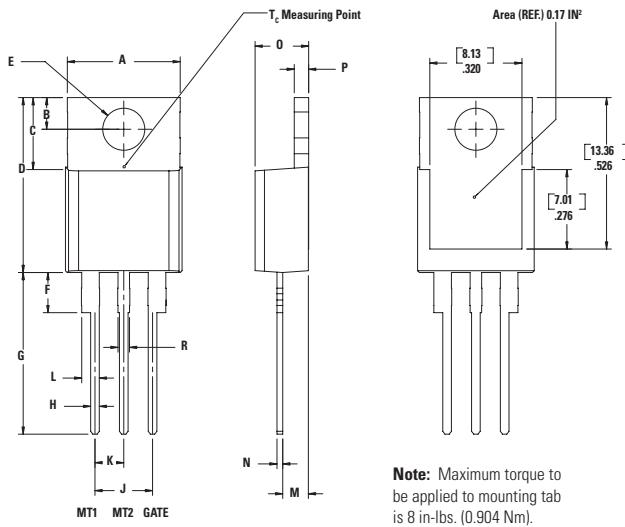
Test	Specifications and Conditions
AC Blocking	MIL-STD-750, M-1040, Cond A Applied Peak AC voltage @ 125°C for 1008 hours
Temperature Cycling	MIL-STD-750, M-1051, 100 cycles; -40°C to +150°C; 15-min dwell time
Temperature/Humidity	EIA / JEDEC, JESD22-A101 1008 hours; 320V - DC; 85°C; 85% rel humidity
High Temp Storage	MIL-STD-750, M-1031, 1008 hours; 150°C
Low-Temp Storage	1008 hours; -40°C
Resistance to Solder Heat	MIL-STD-750 Method 2031
Solderability	ANSI/J-STD-002, category 3, Test A
Lead Bend	MIL-STD-750, M-2036 Cond E

Dimensions — TO-220AB (R-Package) — Non-Isolated Mounting Tab Common with Center Lead



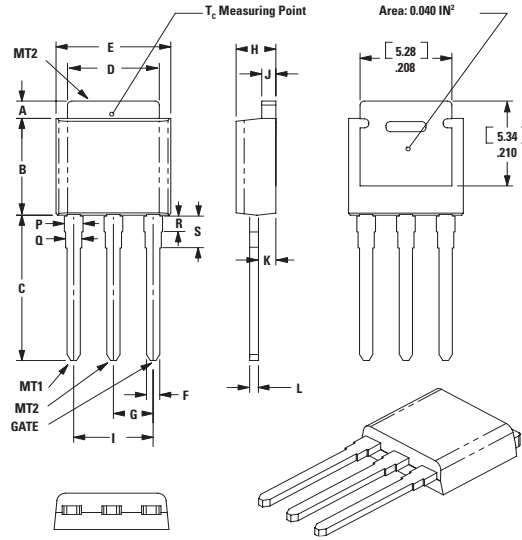
Dimension	Inches		Millimeters	
	Min	Max	Min	Max
A	0.380	0.420	9.65	10.67
B	0.105	0.115	2.67	2.92
C	0.230	0.250	5.84	6.35
D	0.590	0.620	14.99	15.75
E	0.142	0.147	3.61	3.73
F	0.110	0.130	2.79	3.30
G	0.540	0.575	13.72	14.61
H	0.025	0.035	0.64	0.89
J	0.195	0.205	4.95	5.21
K	0.095	0.105	2.41	2.67
L	0.060	0.075	1.52	1.91
M	0.085	0.095	2.16	2.41
N	0.018	0.024	0.46	0.61
O	0.178	0.188	4.52	4.78
P	0.045	0.060	1.14	1.52
R	0.038	0.048	0.97	1.22

Dimensions — TO-220AB (L-Package) — Isolated Mounting Tab



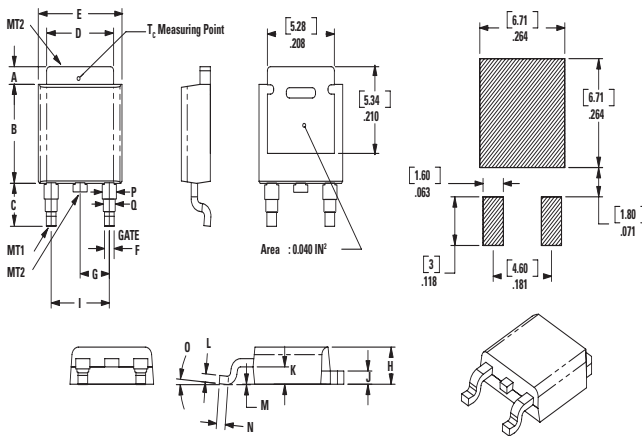
Dimension	Inches		Millimeters	
	Min	Max	Min	Max
A	0.380	0.420	9.65	10.67
B	0.105	0.115	2.67	2.92
C	0.230	0.250	5.84	6.35
D	0.590	0.620	14.99	15.75
E	0.142	0.147	3.61	3.73
F	0.110	0.130	2.79	3.30
G	0.540	0.575	13.72	14.61
H	0.025	0.035	0.64	0.89
J	0.195	0.205	4.95	5.21
K	0.095	0.105	2.41	2.67
L	0.060	0.075	1.52	1.91
M	0.085	0.095	2.16	2.41
N	0.018	0.024	0.46	0.61
O	0.178	0.188	4.52	4.78
P	0.045	0.060	1.14	1.52
R	0.038	0.048	0.97	1.22

Dimensions — TO-251AA (V-Package) — V-PAK Through Hole



Dim	Inches			Millimeters		
	Min	Typ	Max	Min	Typ	Max
A	0.037	0.040	0.043	0.94	1.01	1.09
B	0.235	0.242	0.245	5.97	6.15	6.22
C	0.350	0.361	0.375	8.89	9.18	9.53
D	0.205	0.208	0.213	5.21	5.29	5.41
E	0.255	0.262	0.265	6.48	6.66	6.73
F	0.027	0.031	0.033	0.69	0.80	0.84
G	0.087	0.090	0.093	2.21	2.28	2.36
H	0.085	0.092	0.095	2.16	2.34	2.41
I	0.176	0.180	0.184	4.47	4.57	4.67
J	0.018	0.020	0.023	0.46	0.51	0.58
K	0.035	0.037	0.039	0.90	0.95	1.00
L	0.018	0.020	0.023	0.46	0.52	0.58
P	0.042	0.047	0.052	1.06	1.20	1.32
Q	0.034	0.039	0.044	0.86	1.00	1.11
R	0.034	0.039	0.044	0.86	1.00	1.11
S	0.074	0.079	0.084	1.86	2.00	2.11

Dimensions — TO-252AA (D-Package) — D-PAK Surface Mount



Dim	Inches			Millimeters		
	Min	Typ	Max	Min	Typ	Max
A	0.037	0.040	0.043	0.94	1.01	1.09
B	0.235	0.243	0.245	5.97	6.16	6.22
C	0.106	0.108	0.113	2.69	2.74	2.87
D	0.205	0.208	0.213	5.21	5.29	5.41
E	0.255	0.262	0.265	6.48	6.65	6.73
F	0.027	0.031	0.033	0.69	0.80	0.84
G	0.087	0.090	0.093	2.21	2.28	2.36
H	0.085	0.092	0.095	2.16	2.33	2.41
I	0.176	0.179	0.184	4.47	4.55	4.67
J	0.018	0.020	0.023	0.46	0.51	0.58
K	0.035	0.037	0.039	0.90	0.95	1.00
L	0.018	0.020	0.023	0.46	0.51	0.58
M	0.000	0.000	0.004	0.00	0.00	0.10
N	0.021	0.026	0.027	0.53	0.67	0.69
O	0°	0°	5°	0°	0°	5°
P	0.042	0.047	0.052	1.06	1.20	1.32
Q	0.034	0.039	0.044	0.86	1.00	1.11

Product Selector

Part Number	Voltage				Gate Sensitivity Quadrants		Type	Package
	400V	600V	800V	1000V	I – II – III	IV		
Lxx04L3	X	X	-	-	3 mA	3 mA	Sensitive Triac	TO-220L
Lxx04D3	X	X	-	-	3 mA	3 mA	Sensitive Triac	TO-252 D-PAK
Lxx04R3	X	X	-	-	3mA	3mA	Sensitive Triac	TO-220R
Lxx04V3	X	X	-	-	3 mA	3 mA	Sensitive Triac	TO-251 V-PAK
Lxx04L5	X	X	-	-	5 mA	5 mA	Sensitive Triac	TO-220L
Lxx04D5	X	X	-	-	5 mA	5 mA	Sensitive Triac	TO-252 D-PAK
Lxx04R5	X	X	-	-	5mA	5mA	Sensitive Triac	TO-220R
Lxx04V5	X	X	-	-	5 mA	5 mA	Sensitive Triac	TO-251 V-PAK
Lxx04L6	X	X	-	-	5 mA	10 mA	Sensitive Triac	TO-220L
Lxx04D6	X	X	-	-	5 mA	10 mA	Sensitive Triac	TO-252 D-PAK
Lxx04R6	X	X	-	-	5mA	10mA	Sensitive Triac	TO-220R
Lxx04V6	X	X	-	-	5 mA	10 mA	Sensitive Triac	TO-251 V-PAK
Lxx04L8	X	X	-	-	10 mA	20 mA	Sensitive Triac	TO-220L
Lxx04D8	X	X	-	-	10 mA	20 mA	Sensitive Triac	TO-252 D-PAK
Lxx04R8	X	X	-	-	10mA	20mA	Sensitive Triac	TO-220R
Lxx04V8	X	X	-	-	10 mA	20 mA	Sensitive Triac	TO-251 V-PAK
Qxx04L3	X	X	X	-	10 mA	-	Standard Triac	TO-220L
Qxx04D3	X	X	X	-	10 mA	-	Standard Triac	TO-252 D-PAK
Qxx04V3	X	X	X	-	10 mA	-	Standard Triac	TO-251 V-PAK
Qxx04R3	X	X	X	-	10mA	-	Standard Triac	TO-220R
Qxx04L4	X	X	X	X	25 mA	-	Standard Triac	TO-220L
Qxx04D4	X	X	X	X	25 mA	-	Standard Triac	TO-252 D-PAK
Qxx04R4	X	X	X	X	25mA	-	Standard Triac	TO-220R
Qxx04V4	X	X	X	X	25 mA	-	Standard Triac	TO-251 V-PAK

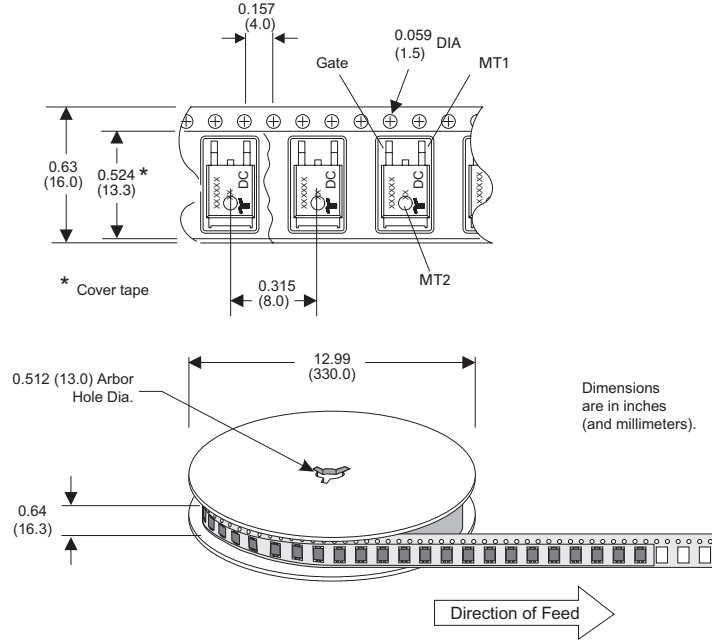
Packing Options

Part Number	Marking	Weight	Packing Mode	Base Quantity
L/Qxx04LyTP	L/Qxx04Ly	2.2 g	Tube	1000 (50 per tube)
L/Qxx04DyRP	L/Qxx04Dy	0.3 g	Embossed Carrier	2500
L/Qxx04DyTP	L/Qxx04Dy	0.3 g	Tube Pack	750 (75 per tube)
L/Qxx04VyTP	L/Qxx04Vy	0.4 g	Tube Pack	750 (75 per tube)
L/Qxx04LyTP	L/Qxx04Ly	2.2g	Tube	1000 (50 per tube)
L/Qxx04RyTP	L/Qxx04Ry	2.2g	Tube	1000 (50 per tube)

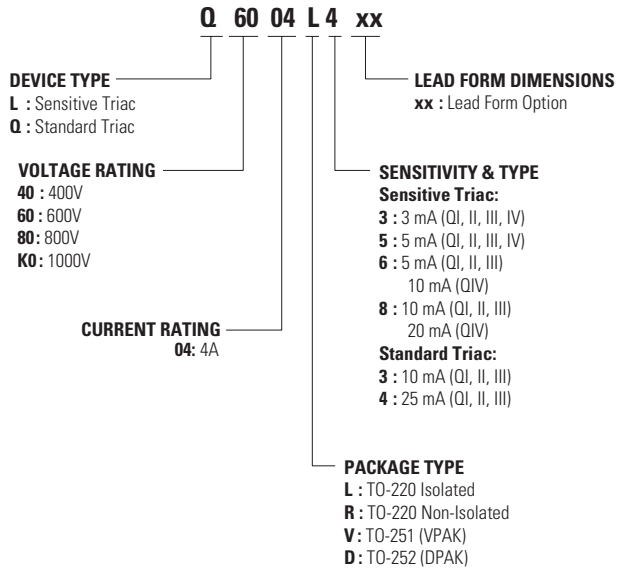
Note: xx = Voltage/10; y = Sensitivity

TO-252 Embossed Carrier Reel Pack (RP) Specifications

Meets all EIA-481-2 Standards

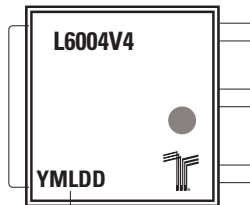


Part Numbering System



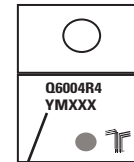
Part Marking System

TO-251AA- (V Package)
TO-252AA- (D Package)



Date Code Marking
Y: Year Code
M: Month Code
L: Location Code
DD: Calendar Code

TO-220 AB - (L and R Package)



Date Code Marking
Y: Year Code
M: Month Code
XXX: Lot Trace Code

Mouser Electronics

Authorized Distributor

Click to View Pricing, Inventory, Delivery & Lifecycle Information:

Littelfuse:

[Q4004L356](#) [Q4004L352](#) [Q4004L359](#) [L2004L6](#) [L2004L8](#) [L2004L5](#) [L2004L3](#) [Q6004L452](#) [QK004L4](#) [Q2004L4](#)
[Q2004L3](#) [Q4004L3](#) [Q4004L4](#) [Q8004L4](#) [L6004L8](#) [L6004L5](#) [L6004L6](#) [L6004L3](#) [L4004L6](#) [L4004L3](#) [L4004L8](#)
[L4004L5](#) [L6004L356](#) [Q6004L4](#) [Q6004L3](#) [Q2004V3TP](#) [Q6004V3TP](#) [Q4004V3TP](#) [L6004V6TP](#) [L2004V6TP](#)
[L4004V6TP](#) [L4004V5TP](#) [L2004V5TP](#) [L6004V5TP](#) [L6004V3TP](#) [L2004V3TP](#) [L4004V3TP](#) [L4004D6RP](#) [L2004D6RP](#)
[L6004D6RP](#) [L4004D6TP](#) [L2004D6TP](#) [L6004D6TP](#) [L6004D3TP](#) [L2004D3TP](#) [L4004D3TP](#) [L4004D3RP](#) [L2004D3RP](#)
[L6004D3RP](#) [L6004L3TP](#) [L2004L3TP](#) [Q4004L3TP](#) [L2004V8TP](#) [L6004V8TP](#) [L4004V8TP](#) [Q2004V4TP](#)
[Q6004V4TP](#) [Q4004V4TP](#) [QK004V4TP](#) [Q6004D3RP](#) [Q2004D3RP](#) [Q4004D3RP](#) [Q2004D3TP](#) [Q6004D3TP](#)
[Q4004D3TP](#) [L2004D5TP](#) [L6004D5TP](#) [L4004D5TP](#) [L4004D5RP](#) [L6004D5RP](#) [L2004D5RP](#) [L2004D8TP](#) [L6004D8TP](#)
[L4004D8TP](#) [L4004D8RP](#) [L6004D8RP](#) [L2004D8RP](#) [QK004D4TP](#) [Q4004D4TP](#) [Q8004D4TP](#) [Q6004D4TP](#)
[Q2004D4TP](#) [Q8004D4RP](#) [Q4004D4RP](#) [Q2004D4RP](#) [Q6004D4RP](#) [QK004D4RP](#) [L4004L3TP](#) [Q4004R3](#)
[Q6004L4TP](#) [L6004R5](#) [L4004R5](#) [Q8004V4TP](#) [L4004L5TP](#) [L4004L8TP](#) [Q4004R4TP](#) [Q4004L4TP](#) [L4004R5TP](#)
[Q6004L3TP](#) [Q6004R4TP](#)